

M1 TYPE

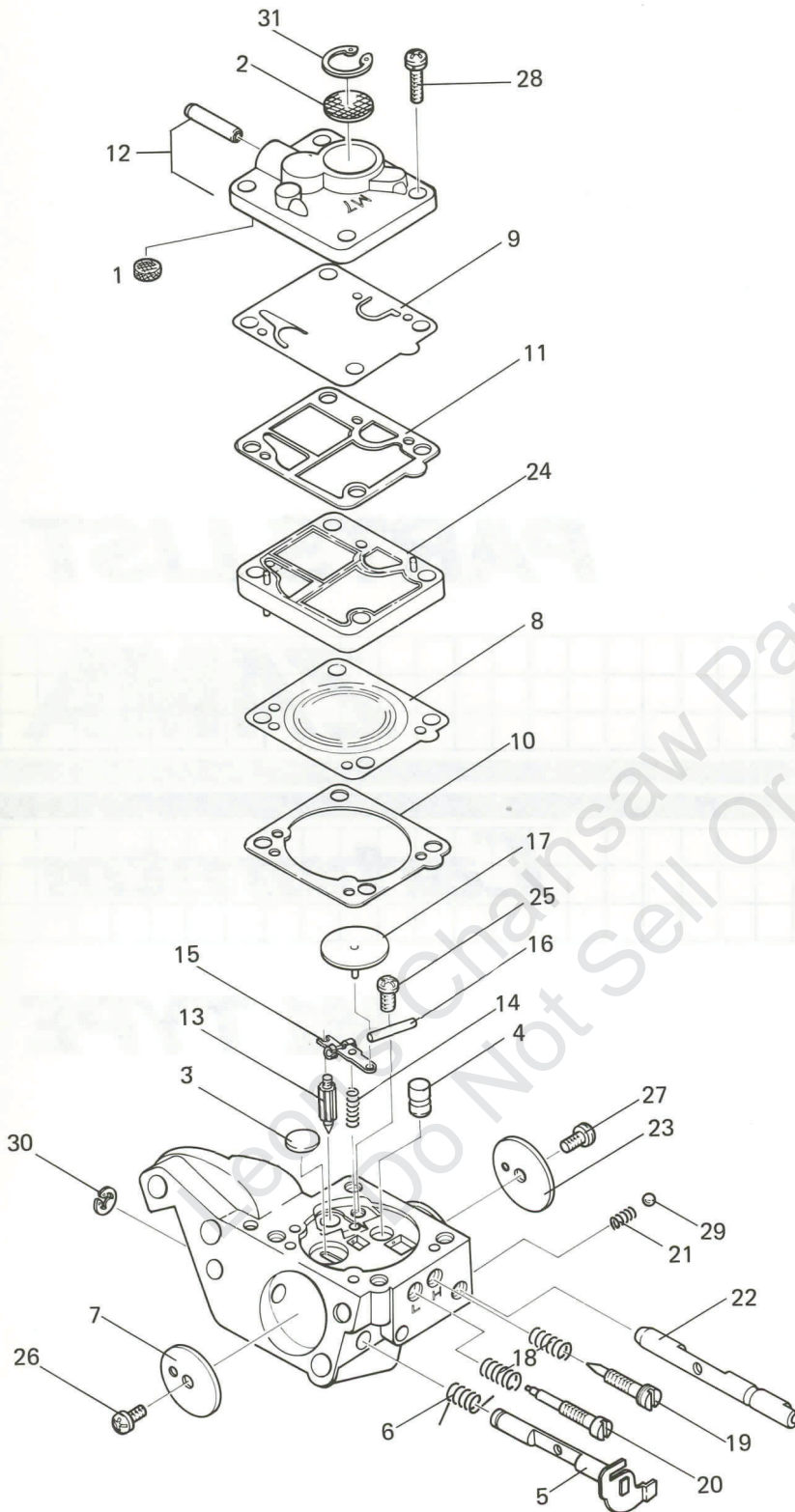
PARTS LIST

ZAMA									
-------------	--	--	--	--	--	--	--	--	--

Carburetor									
-------------------	--	--	--	--	--	--	--	--	--

M1 TYPE

Leon's Chains & Parts & Repair
Do Not Sell or Reproduce



REF. NO.	PART NAME
1	Strainer
2	Strainer
3	Plug, Welch
4	Nozzle Ass'y, Check Valve
5	Shaft Ass'y, Throttle
6	Spring, Throttle Return
7	Valve, Throttle
8	Diaphragm, Metering
9	Diaphragm, Pump
10	Gasket, Metering Chamber
11	Gasket, Pump
12	Cover Ass'y, Pump
13	Valve, Inlet Needle
14	Spring, Metering Lever
15	Lever, Metering
16	Pin
17	Disk
18	Spring, Adjust Screw
19	Screw, Main Mixture
20	Screw, Idle Mixture
21	Spring, Friction
22	Shaft, Choke
23	Valve, Choke
24	Body, Pump
25	Screw (Pin)
26	Screw (Throttle Valve)
27	Screw (Choke Valve)
28	Screw (Pump Cover)
29	Ball, Steel
30	E-Ring
31	C-Ring

M1 TYPE

PARTS LIST

CARBURETOR	CUSTOMER	CUSTOMER NO.	EQUIPMENT	MODEL
M1-M7	McCULLOCH	214082-A	CHAIN SAW	M-MAC SERIES

REF. NO.	PART NAME	M1-M7		
	Venturi	12 mm		
	Repair Kit, Major ♦	K500020		
	Repair Kit, Minor ★	K500054		
	Gasket & Diaphragm Kit ●	♦K015018		
1	★ Strainer	♦0004001		
2	Strainer	0004003		
3	★ Plug, Welch	♦0005002		
4	Nozzle Ass'y, Check Valve	♦A007010		
5	Shaft Ass'y, Throttle	A011011		
6	Spring, Throttle Return	0013010		
7	Valve, Throttle	0014002		
8	★ Diaphragm, Metering	●0015012		
9	★ Diaphragm, Pump	●0015011		
10	★ Gasket, Metering Chamber	●0016012		
11	★ Gasket, Pump	●0016011		
12	Cover Ass'y, Pump	A017004		
13	★ Valve, Inlet Needle	♦0018001		
14	★ Spring, Metering Lever	♦0019002		
15	★ Lever, Metering	♦0020007		
16	Pin	♦0021001		
17	Disk	♦0025006		
18	Spring, Adjust Screw	0029001		
19	Screw, Main Mixture	0030007		
20	Screw, Idle Mixture	0031007		
21	Spring, Friction	0038001		
22	Shaft, Choke	0041003		
23	Valve, Choke	0043003		
24	Body, Pump	0049001		
25	Screw (Pin)	♦14803006		
26	Screw (Throttle Valve)	15603004		
27	Screw (Choke Valve)	156030045		
28	Screw (Pump Cover)	16304018		
29	Ball, Steel	19290030		
30	E-Ring	19500030		
31	C-Ring	19520120		

Leon's Chainsaw Parts & Repair
Do Not Sell Or Reproduce

**CARBURETOR
DIVISION**



SHINAGAWA DIECASTING CO., LTD.

Japan

U.S. Subsidiary

U.S.A. ZAMA, INC.

2909 Oregon Court, Suite C-4, Torrance, CA 90503

Phone: 213-320-6227

Telefax: 213-618-9845

ZAMA EUROPE

17 Rue Des Renoncules, 1341 Ceroux (Ottignie), Belgium.

Phone: 10-615615, Telefax: 10-615617