

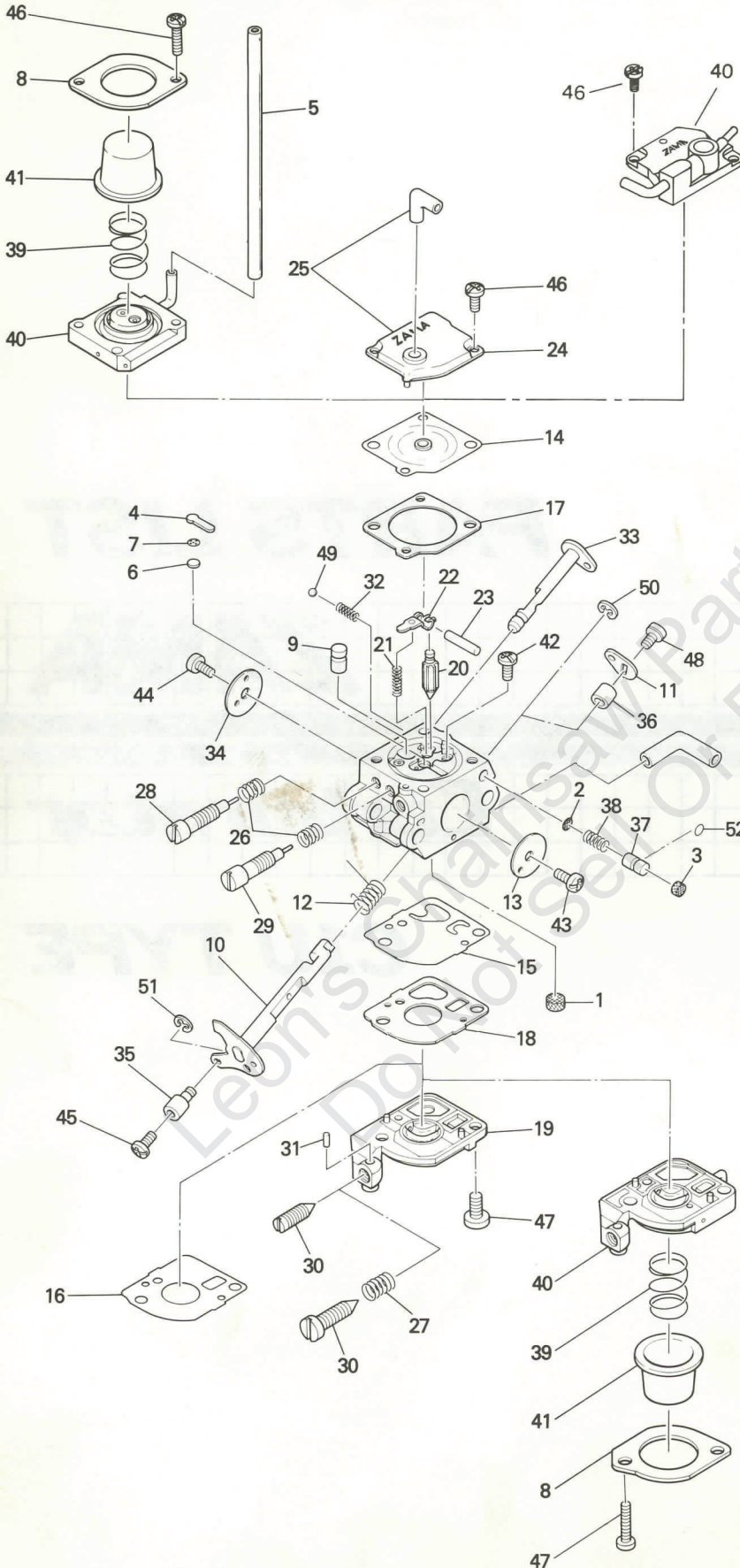
PARTS LIST

ZAMA														
-------------	--	--	--	--	--	--	--	--	--	--	--	--	--	--

Carburetor														
-------------------	--	--	--	--	--	--	--	--	--	--	--	--	--	--

C1U TYPE

Leon's Chains & Parts & Repair
Do Not Sell Or Reproduce



REF NO.	PART NAME
1	Strainer
2	Strainer
3	Strainer
4	Plug, Welch
5	Tubing, Drain
6	Valve, Check
7	Retainer, Check Valve
8	Retainer, Syringe
9	Nozzle Ass'y, Check Valve
10	Shaft Ass'y, Throttle
11	Lever, Throttle
12	Spring, Throttle Return
13	Valve, Throttle
14	Diaphragm Ass'y, Metering
15	Diaphragm, Pump
16	Diaphragm, Surge
17	Gasket, Metering Chamber
18	Gasket, Pump
19	Cover, Pump
20	Valve, Inlet Needle
21	Spring, Metering Lever
22	Lever, Metering
23	Pin
24	Cover, Metering Chamber
25	Cover Ass'y, Metering Chamber
26	Spring, Adjust Screw
27	Spring, Adjust Screw
28	Screw, Main Mixture
29	Screw, Idle Mixture
30	Screw, Throttle Adjust
31	Piece, Friction
32	Spring, Friction
33	Shaft Ass'y, Choke
34	Valve, Choke
35	Post
36	Collar
37	Plunger
38	Spring (Plunger Return)
39	Spring (Syringe)
40	Base Ass'y, Primer
41	Syringe
42	Screw (Pin)
43	Screw (Throttle Valve)
44	Screw (Choke Valve)
45	Screw (Post)
46	Screw (Metering Cover)
47	Screw (Pump Cover)
48	Screw (Throttle Lever)
49	Ball, Steel
50	E-Ring (Throttle Shaft)
51	E-Ring (Post)
52	O-Ring (Plunger)

CARBURETOR	CUSTOMER	CUSTOMER NO.	EQUIPMENT	MODEL
C1U-H10	HOMELITE	A0047	STR. TRIMMER	ST-155, 175, 285, 385
C1U-H10A	HOMELITE	A00047	STR. TRIMMER	ST-155, 175, 285, 385
C1U-H10B	HOMELITE	A00047	STR. TRIMMER	ST-155, 175, 285, 385
C1U-M16	McCULLOCH	222209	STR. TRIMMER	MAC 60A
C1U-M20	McCULLOCH	222507	STR. TRIMMER	

REF. NO	PART NAME	C1U-H10	C1U-H10A	C1U-H10B	C1U-M16	C1U-M20
	Venturi	8mm	8mm	8mm	8mm	8mm
	Repair Kit, Major ♦	K500063	K500063	K500063	K500080	K500080
	Repair Kit, Minor ★	K500067	K500067	K500067	K500088	K500088
	Gasket & Diaphragm Kit ●	♦K015038	♦K015038	♦K015038	♦K015045	♦K015045
	Cover Kit, Pump ▲	K017013	K017013	K017013	-----	K0170013
	Base Kit, Primer ■	-----	-----	-----	K056001	-----
1	★ Strainer	♦0004004	♦0004004	♦0004004	♦0004004	♦0004004
2	Strainer	-----	-----	-----	-----	-----
3	Strainer	-----	-----	-----	-----	-----
4	★ Plug, Welch	♦0005005	♦0005005	♦0005005	♦0005005	-----
5	Tubing, Drain	♦0006002	♦0006002	♦0006002	-----	-----
6	★ Valve, check	0008004	♦0008004	0008004	♦0008004	♦0008004
7	★ Retainer, Check Valve	♦0009008	♦0009008	♦0009008	♦0009008	♦0009008
8	Retainer, Syringe	0009010	0009010	0009010	0009015	-----
9	Nozzle Ass'y, Check Valve	♦A007022A	♦A007022A	♦A007022	♦A007022	♦A007022
10	Shaft Ass'y, Throttle	A011033	A011033	A011033	A011039	A011039
11	Lever, Throttle	-----	-----	-----	-----	-----
12	Spring, Throttle Return	0013016	0013016	0013016	0013016	0013016
13	Valve, Throttle	0014015	0014015	0014015	0014007	0014007
14	★ Diaphragm Ass'y, Metering	●A015011	●A015011	●A015011	●A015010	●A015010
15	★ Diaphragm, Pump	●0015019	●0015019	♦0015019	●0015020	●0015020
16	★ Diaphragm, Surge	-----	-----	-----	-----	-----
17	★ Gasket, Metering Chamber	●0016021	●0016021	●0016021	●0016019	●0016019
18	★ Gasket, Pump	●0016020	●0016020	●0016020	●0016022	●0016022
19	Cover, Pump ▲	-----	-----	-----	-----	-----
20	★ Valve, Inlet Needle	♦0018001	♦0018001	♦0018001	♦0018001	0018001
21	★ Spring, Metering Lever	♦0019002	♦0019002	♦0019002	♦0019002	♦0019002
22	★ Lever, Metering	♦0020009	♦0020009	♦0020009	♦0020009	♦0020009
23	Pin	♦0021001	♦0021001	♦0021001	♦0021001	♦0021001
24	Cover, Metering Chamber	-----	-----	-----	0028010	0028010
25	Cover Ass'y, Metering Chamber	-----	-----	-----	-----	-----
26	Spring, Adjust Screw	♦0029005	♦0029005	♦0029005	♦0029005	♦0029005
27	Spring, Adjust Screw	-----	-----	-----	-----	-----
28	Screw, Main Mixture	♦0030023	♦0030023	♦0030023	♦0030024	♦0030024
29	Screw, Idle Mixture	♦0031025	♦0031025	♦0031025	♦0031028	♦0031028
30	Screw, Throttle Adjust	▲	▲	▲	■	▲
31	Piece, Friction	▲	▲	▲	■	▲
32	Spring, Friction	0038001	0038001	0038001	-----	-----
33	Shaft Ass'y, Choke	A041009	A041009	A041009	-----	-----
34	Valve, Choke	0043008	0043008	0043008	-----	-----
35	Post	0045003	0045003	0045003	-----	-----
36	Collar	-----	-----	-----	-----	-----
37	Plunger	-----	-----	-----	-----	-----
38	Spring (Plunger Return)	-----	-----	-----	-----	-----
39	Spring (Syringe)	0054004	0054004	0054004	0054004	-----
40	Base Ass'y, Primer	A056001	A056001	A056001	■	-----
41	Syringe	0057001	0057001	0057001	0057001	-----
42	Screw (Pin)	♦14903006	♦14903006	♦14903006	♦14903006	♦14903006
43	Screw (Throttle Valve)	15603004	15603004	15603004	15603004	15603004
44	Screw (Chock Valve)	156030045	156030045	156030045	-----	-----
45	Screw (Post)	16103005	16103005	16103005	-----	-----
46	Screw (Metering Cover)	17103012	17103012	17103012	17103007	17103007
47	Screw (Pump Cover)	17104009	17104009	17104009	17104015	17104009
48	E-Ring (Throttle Lever)	-----	-----	-----	-----	-----
49	Ball, Steel	19290030	19290030	19290030	-----	-----
50	E-Ring (Throttle Shaft)	19500030	19500030	19500030	19500030	19500030
51	E-Ring (Post)	19500020	19500020	19500020	-----	-----
52	O-Ring (Plunger)	-----	-----	-----	-----	-----

CARBURETOR	CUSTOMER	CUSTOMER NO.	EQUIPMENT	MODEL
C1U-K4	ECHO	125200-42030	STR. TRIMMER	GT-2100
C1U-K7	ECHO	125200-04560	HEDGE TRIMMER	HC-1000
C1U-K8	ECHO	125200-11610	MIST	SHR-040
C1U-K9	ECHO	125200-44730	STR. TRIMMER HEDGE CUTTER	SRM-1500, 2300

REF. NO	PART NAME	C1U-K4	C1U-K7	C1U-K8	C1U-K9
	Venturi	8mm	8mm	8mm	8mm
	Repair Kit, Major ◆	K500064	K500064	K500081	K500064
	Repair Kit, Minor ★	K500070	K500070	K500070	K500070
	Gasket & Diaphragm Kit ●	◆K015039	◆K015039	◆K015039	◆K015039
	Cover Kit, Pump ▲	K017013	K017013	-----	K017013
	Base Kit, Primer ■	-----	-----	K056001	-----
1	★ Strainer	◆0004004	◆0004004	◆0004004	◆0004004
2	Strainer	-----	-----	-----	-----
3	Strainer	-----	-----	-----	-----
4	★ Plug, Welch	◆ 0005004	◆ 0005004	◆0005004	◆ 0005004
5	Tubing, Drain	-----	-----	-----	-----
6	★ Valve, check	-----	-----	-----	-----
7	★ Retainer, Check Valve	-----	-----	-----	-----
8	Retainer, Syringe	-----	-----	0009015	-----
9	Nozzle Ass'y, Check Valve	◆A007021	◆A007021	◆A007023	◆A007021
10	Shaft Ass'y, Throttle	A011019	A011019	A011019	A011019
11	Lever, Throttle	-----	-----	-----	-----
12	Spring, Throttle Return	0013016	0013016	0013016	0013016
13	Valve, Throttle	0014016	0014016	0014016	0014016
14	★ Diaphragm Ass'y, Metering	●A015010	●A015010	●A015010	●A015010
15	★ Diaphragm, Pump	●0015020	●0015020	◆0015020	●0015020
16	★ Diaphragm, Surge	-----	-----	-----	-----
17	★ Gasket, Metering Chamber	●0016019	●0016019	●0016019	●0016019
18	★ Gasket, Pump	●0016022	●0016022	●0016022	●0016022
19	Cover, Pump	▲	▲	-----	▲
20	★ Valve, Inlet Needle	◆0018001	◆0018001	◆0018001	◆0018001
21	★ Spring, Metering Lever	◆0019007	◆0019007	◆0019007	◆0019007
22	★ Lever, Metering	◆0020009	◆0020009	◆0020009	◆0020009
23	Pin	◆0021001	◆0021001	◆0021001	◆0021001
24	Cover, Metering Chamber	0028010	0028010	0028010	0028010
25	Cover Ass'y, Metering Chamber	-----	-----	-----	-----
26	Spring, Adjust Screw	◆0029005	◆0029005	◆0029005	◆0029005
27	Spring, Adjust Screw	-----	-----	-----	-----
28	Screw, Main Mixture	◆0030024	◆0030024	◆0030024	◆0030024
29	Screw, Idle Mixture	0031023	0031023	0031023	0031023
30	Screw, Throttle Adjust	▲	▲	■	▲
31	Piece, Friction	▲	▲	■	▲
32	Spring, Friction	-----	-----	-----	-----
33	Shaft Ass'y, Choke	-----	-----	-----	-----
34	Valve, Choke	-----	-----	-----	-----
35	Post	0045002	0045002	0045002	0045002
36	Collar	-----	-----	-----	-----
37	Plunger	-----	-----	-----	-----
38	Spring (Plunger Return)	-----	-----	-----	-----
39	Spring (Syringe)	-----	-----	0054004	-----
40	Base Ass'y, Primer	-----	-----	■	-----
41	Syringe	-----	-----	0057001	-----
42	Screw (Pin)	14903006	14903006	14903006	14903006
43	Screw (Throttle Valve)	◆15603004	◆15603004	◆15603004	◆15603004
44	Screw (Chock Valve)	-----	-----	-----	-----
45	Screw (Post)	-----	-----	-----	-----
46	Screw (Metering Cover)	17103007	17103007	17103007	17103007
47	Screw (Pump Cover)	17104009	17104009	17104015	17104009
48	Screw (Throttle Lever)	-----	-----	-----	-----
49	Ball, Steel	-----	-----	-----	-----
50	E-Ring (Throttle Shaft)	19500030	19500030	19500030	19500030
51	E-Ring (Post)	19500040	19500040	19500040	19500040
52	O-Ring (Plunger)	-----	-----	-----	-----

CARBURETOR	CUSTOMER	CUSTOMER NO.	EQUIPMENT	MODEL
C1U-K10	ECHO	125200-11520	CULTI & HEDGE CUTTER	SV-4
C1U-K10A	ECHO		CULTI & HEDGE CUTTER	SV-4
C1U-K11 C1U-P3	ECHO PISTON POWERED PRODUCTS	125200-05060	CUTTER BLOWER	PB-1000
C1U-P4	PISTON POWERED PRODUCTS			

REF. NO	PART NAME	C1U-K10	C1U-K10A	C1U-K11	C1U-P3	C1U-P4
	Venturi	8mm	8mm	8mm	8mm	8mm
	Repair Kit, Major ♦	K500064	K500091	K500064	K500078	K500079
	Repair Kit, Minor ★	K500070	K500094	K500070	K500085	K500086
	Gasket & Diaphragm Kit ●	♦K015039	♦K015048	♦K015039	♦K015036	♦K015044
	Cover Kit, Pump ▲	K017013	K017013	K017013	-----	-----
	Base Kit, Primer ■	-----	-----	-----	-----	-----
1	★ Strainer	♦0004004	♦0004004	♦0004004	♦0004004	♦0004004
2	Strainer	-----	-----	-----	-----	-----
3	Strainer	-----	-----	-----	-----	-----
4	★ Plug, Welch	♦0005004	♦0005004	♦0005004	♦0005005	♦0005005
5	Tubing, Drain	-----	-----	-----	-----	-----
6	★ Valve, check	-----	-----	-----	-----	0008004
7	★ Retainer, Check Valve	-----	-----	-----	-----	0009008
8	Retainer, Syringe	-----	-----	-----	-----	-----
9	Nozzle Ass'y, Check Valve	♦A007021	♦A007021	♦A007021	♦A007020	♦A007024
10	Shaft Ass'y, Throttle	A011019	A011019	A011040	A011038	A011038
11	Lever, Throttle	-----	-----	0012042	-----	-----
12	Spring, Throttle Return	0013016	0013016	0013016	0013016	0013016
13	Valve, Throttle	0014016	0014016	0014016	0014020	0014020
14	★ Diaphragm Ass'y, Metering	●A015010	●A015010	●A015010	●A015010	●A015011
15	★ Diaphragm, Pump	●0015020	●0015020	♦0015020	●0015019	●0015019
16	★ Diaphragm, Surge	-----	-----	-----	-----	-----
17	★ Gasket, Metering Chamber	●0016019	●0016028	●0016019	●0016019	●0016021
18	★ Gasket, Pump	●0016022	●0016022	●0016022	●0016020	●0016020
19	Cover, Pump ▲	-----	-----	-----	0017016	0017016
20	★ Valve, Inlet Needle	♦0018001	♦0018001	♦0018001	♦0018001	♦0018001
21	★ Spring, Metering Lever	♦0019007	♦0019007	♦0019007	♦0019011	♦0019011
22	★ Lever, Metering	♦0020009	♦0020009	♦0020009	♦0020009	♦0020009
23	Pin	♦0021001	♦0021001	♦0021001	♦0021001	♦0021001
24	Cover, Metering Chamber	0028014	0028014	0028010	0028010	-----
25	Cover Ass'y, Metering Chamber	-----	-----	-----	-----	-----
26	Spring, Adjust Screw	♦0029005	♦0029005	♦0029005	♦0029005	♦0029005
27	Spring, Adjust Screw	-----	-----	-----	0029003	0029003
28	Screw, Main Mixture	♦0030024	♦0030024	♦0030024	♦0030028	♦0030028
29	Screw, Idle Mixture	0031023	0031023	0031023	0031028	0031028
30	Screw, Throttle Adjust	▲	▲	▲	0034015	0035015
31	Piece, Friction	▲	▲	▲	-----	-----
32	Spring, Friction	-----	-----	-----	-----	-----
33	Shaft Ass'y, Choke	-----	-----	-----	-----	-----
34	Valve, Choke	-----	-----	-----	-----	-----
35	Post	0045002	0045002	-----	-----	-----
36	Collar	-----	-----	-----	-----	-----
37	Plunger	-----	-----	-----	-----	-----
38	Spring (Plunger Return)	-----	-----	-----	-----	-----
39	Spring (Syringe)	-----	-----	-----	-----	-----
40	Base Ass'y, Primer	-----	-----	-----	-----	A056006
41	Syringe	-----	-----	-----	-----	-----
42	Screw (Pin)	14903006	14903006	14903006	♦14903006	♦14903006
43	Screw (Throttle Valve)	♦15603004	♦15603004	♦15603004	156030045	156030045
44	Screw (Chock Valve)	-----	-----	-----	-----	-----
45	Screw (Post)	-----	-----	-----	-----	-----
46	Screw (Metering Cover)	17103007	17103007	17103007	17103007	17103007
47	Screw (Pump Cover)	17104009	17104009	17104009	17104009	17104009
48	Screw (Throttle Lever)	-----	-----	17103004	-----	-----
49	Ball, Steel	-----	-----	-----	-----	-----
50	E-Ring (Throttle Shaft)	19500030	19500030	19500040	19500030	19500030
51	E-Ring (Post)	19500040	19500040	-----	-----	-----
52	O-Ring (Plunger)	-----	-----	-----	-----	-----

Leon's Chainsaw Parts & Repair
Do Not Sell Or Reproduce

**CARBURETOR
DIVISION**



SHINAGAWA DIECASTING CO., LTD.

Japan

U.S. Subsidiary

U.S.A. ZAMA, INC.

2909 Oregon Court, Suite C-4, Torrance, CA 90503
Phone: 213-320-6227, Telefax: 213-618-9845

ZAMA EUROPE

17 Rue Des Renoncules, 1341 Ceroux (Ottignie), Belgium.
Phone: 10-615615, Telefax: 10-615617