

C1 TYPE

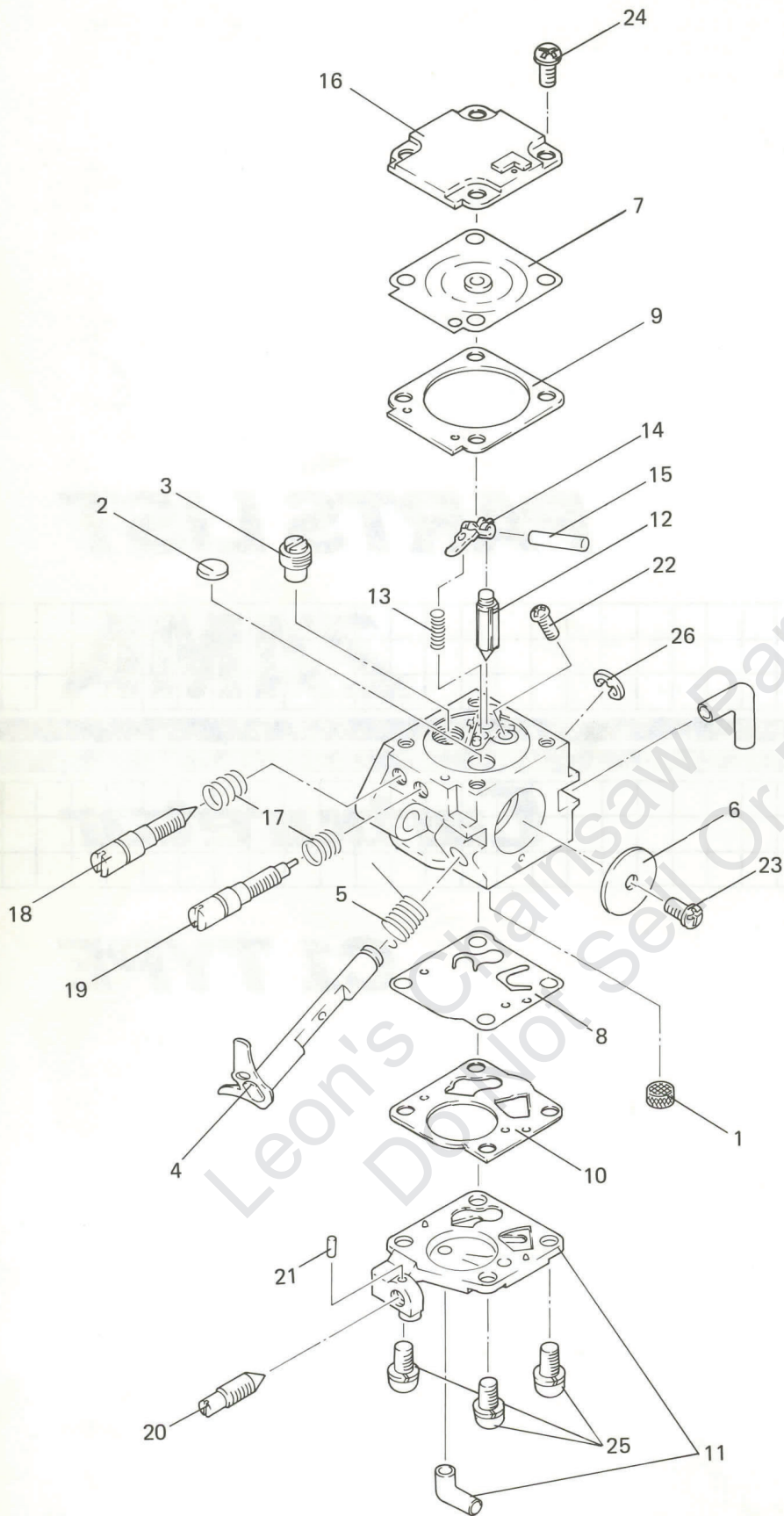
PARTS LIST

| | | | | | | | | | |
|-------------|--|--|--|--|--|--|--|--|--|
| ZAMA | | | | | | | | | |
|-------------|--|--|--|--|--|--|--|--|--|

| | | | | | | | | | |
|-------------------|--|--|--|--|--|--|--|--|--|
| Carburetor | | | | | | | | | |
|-------------------|--|--|--|--|--|--|--|--|--|

C1 TYPE

Leon's Chains & Parts & Repair
Do Not Sell



| REF. NO. | PART NAME |
|----------|---------------------------|
| 1 | Strainer |
| 2 | Plug, Welch |
| 3 | Nozzle Ass'y, Check Valve |
| 4 | Shaft Ass'y, Throttle |
| 5 | Spring, Throttle Return |
| 6 | Valve, Throttle |
| 7 | Diaphragm Ass'y, Metering |
| 8 | Diaphragm, Pump |
| 9 | Gasket, Metering Chamber |
| 10 | Gasket, Pump |
| 11 | Cover Ass'y, Pump |
| 12 | Valve, Inlet Needle |
| 13 | Spring, Metering Lever |
| 14 | Lever, Metering |
| 15 | Pin |
| 16 | Cover, Metering Chamber |
| 17 | Spring, Adjust Screw |
| 18 | Screw, Main Mixture |
| 19 | Screw, Idle Mixture |
| 20 | Screw, Throttle Adjust |
| 21 | Piece, Friction |
| 22 | Screw (Pin) |
| 23 | Screw (Throttle Valve) |
| 24 | Screw (Metering Cover) |
| 25 | Screw (Pump Cover) |
| 26 | E-Ring |

C1 TYPE

PARTS LIST

| CARBURETOR | CUSTOMER | CUSTOMER NO. | EQUIPMENT | MODEL |
|------------|-----------|--------------|-----------|--------|
| 17-01 | McCULLOCH | 91571 | CHAIN SAW | SP-40 |
| 17-01A | McCULLOCH | 91571 | CHAIN SAW | SP-40 |
| 17-01B | McCULLOCH | 93767 | CHAIN SAW | PM-510 |
| 17-01C | McCULLOCH | 93767 | CHAIN SAW | PM-510 |

| REF. NO. | PART NAME | 17-01 | 17-01A | 17-01B | 17-01C |
|----------|---------------------------------------|-----------|-----------|-----------|-----------|
| | Venturi | 13.8 mm | 13.8 mm | 13.8 mm | 13.8 mm |
| | Repair Kit, Major ♦ | KR-1 | KR-2 | K500021 | K500021 |
| | Repair Kit, Minor ★ | K500041 | K500041 | K500041 | K500041 |
| | Gasket & Diaphragm Kit ● | ♦K015019 | ♦K015019 | ♦K015019 | ♦K015019 |
| | Cover Kit, Pump ▲ | K017001 | K017001 | K017001 | K017001 |
| 1 | ★ Strainer | ♦0004001 | ♦0004001 | ♦0004001 | ♦0004001 |
| 2 | ★ Plug, Welch | 0005001 | 0005001 | ♦0005001 | ♦0005001 |
| 3 | Nozzle Ass'y, Check Valve | ♦A007004 | ♦A007006 | ♦A007009 | ♦A007009 |
| 4 | Shaft Ass'y, Throttle | A011002 | A011002 | A011002 | A011002 |
| 5 | Spring, Throttle Return | 0013002 | 0013002 | 0013002 | 0013002 |
| 6 | Valve, Throttle | 0014002 | 0014002 | 0014002 | 0014002 |
| 7 | ★ Diaphragm Ass'y, Metering | ●A015002 | ●A015002 | ●A015002 | ●A015002 |
| 8 | ★ Diaphragm, Pump | ●0015001 | ●0015001 | ●0015001 | ●0015001 |
| 9 | ★ Gasket, Metering Chamber | ●0016003 | ●0016003 | ●0016003 | ●0016003 |
| 10 | ★ Gasket, Pump | ●0016001 | ●0016001 | ●0016001 | ●0016001 |
| 11 | Cover Ass'y, Pump | ▲ | ▲ | ▲ | ▲ |
| 12 | ★ Valve, Inlet Needle | ♦0018001 | ♦0018001 | ♦0018001 | ♦0018001 |
| 13 | ★ Spring, Metering Lever | ♦0019002 | ♦0019002 | ♦0019002 | ♦0019002 |
| 14 | ★ Lever, Metering | ♦0020002 | ♦0020002 | ♦0020002 | ♦0020002 |
| 15 | Pin | ♦0021001 | ♦0021001 | ♦0021001 | ♦0021001 |
| 16 | Cover, Metering Chamber | 0028003 | 0028003 | 0028003 | 0028003 |
| 17 | Spring, Adjust Screw | ♦0029001 | ♦0029001 | 0029001 | 0029001 |
| 18 | Screw, Main Mixture | ----- | ----- | 0030004 | 0030004 |
| 19 | Screw, Idle Mixture | ♦0031002 | ♦0031002 | 0031002 | 0031002 |
| 20 | Screw, Throttle Adjust. | ▲ | ▲ | ▲ | ▲ |
| 21 | Piece, Friction | ▲ | ▲ | ▲ | ▲ |
| 22 | Screw (Pin) | ♦14803006 | ♦14803006 | ♦14803006 | ♦14803006 |
| 23 | Screw (Throttle Valve) | 15603004 | 15603004 | 15603004 | 15603004 |
| 24 | Screw (Metering Cover) | 16303008 | 16303008 | 16303008 | 16303008 |
| 25 | Screw (Pump Cover) | 16304008 | 16304008 | 16304008 | 16304008 |
| 26 | E-Ring | 19500030 | 19500030 | 19500030 | 19500030 |

| CARBURETOR | CUSTOMER | CUSTOMER NO. | EQUIPMENT | MODEL |
|------------|-----------|--------------|-----------|---------------|
| 17-02 | McCULLOCH | 93524 | CHAIN SAW | PM-300 SERIES |
| 17-02A | McCULLOCH | 94496 | CHAIN SAW | PM-300 SERIES |

| REF. NO. | PART NAME | 17-02 | 17-02A |
|----------|---------------------------------------|-----------|-----------|
| | Venturi | 13.8 mm | 13.8 mm |
| | Repair Kit, Major ♦ | K500021 | K500021 |
| | Repair Kit, Minor ★ | K500041 | K500041 |
| | Gasket & Diaphragm Kit ● | ♦K015019 | ♦K015019 |
| | Cover Kit, Pump ▲ | K017002 | K017002 |
| 1 | ★ Strainer | ♦0004001 | ♦0004001 |
| 2 | ★ Plug, Welch | ♦0005001 | ♦0005001 |
| 3 | Nozzle Ass'y, Check Valve | ♦A007009 | ♦A007009 |
| 4 | Shaft Ass'y, Throttle | A011003 | A011003 |
| 5 | Spring, Throttle Return | 0013005 | 0013005 |
| 6 | Valve, Throttle | 0014002 | 0014002 |
| 7 | ★ Diaphragm Ass'y, Metering | ●A015002 | ●A015002 |
| 8 | ★ Diaphragm, Pump | ●0015001 | ●0015001 |
| 9 | ★ Gasket, Metering Chamber | ●0016003 | ●0016003 |
| 10 | ★ Gasket, Pump | ●0016001 | ●0016001 |
| 11 | Cover Ass'y, Pump | ▲ | ▲ |
| 12 | ★ Valve, Inlet Needle | ♦0018001 | ♦0018001 |
| 13 | ★ Spring, Metering Lever | ♦0019002 | ♦0019002 |
| 14 | ★ Lever, Metering | ♦0020002 | ♦0020002 |
| 15 | Pin | ♦0021001 | ♦0021001 |
| 16 | Cover, Metering Chamber | 0028003 | 0028003 |
| 17 | Spring, Adjust Screw | 0029001 | 0029001 |
| 18 | Screw, Main Mixture | 0030002 | 0030002 |
| 19 | Screw, Idle Mixture | 0031003 | 0031003 |
| 20 | Screw, Throttle Adjust | ▲ | ▲ |
| 21 | Piece, Friction | ▲ | ▲ |
| 22 | Screw (Pin) | ♦14803006 | ♦14803006 |
| 23 | Screw (Throttle Valve) | 15603004 | 15603004 |
| 24 | Screw (Metering Cover) | 16303008 | 16303008 |
| 25 | Screw (Pump Cover) | 16304008 | 16304008 |
| 26 | E-Ring | 19500030 | 19500030 |

**CARBURETOR
DIVISION**



SHINAGAWA DIECASTING CO., LTD.

Japan

U.S. Subsidiary

U.S.A. ZAMA, INC.

2909 Oregon Court, Suite C-4, Torrance, CA 90503

Phone: 213-320-6227

Telefax: 213-618-9845

ZAMA EUROPE

17 Rue Des Renoncles, 1341 Ceroux (Ottignie), Belgium.

Phone: 10-615615, Telefax: 10-615617