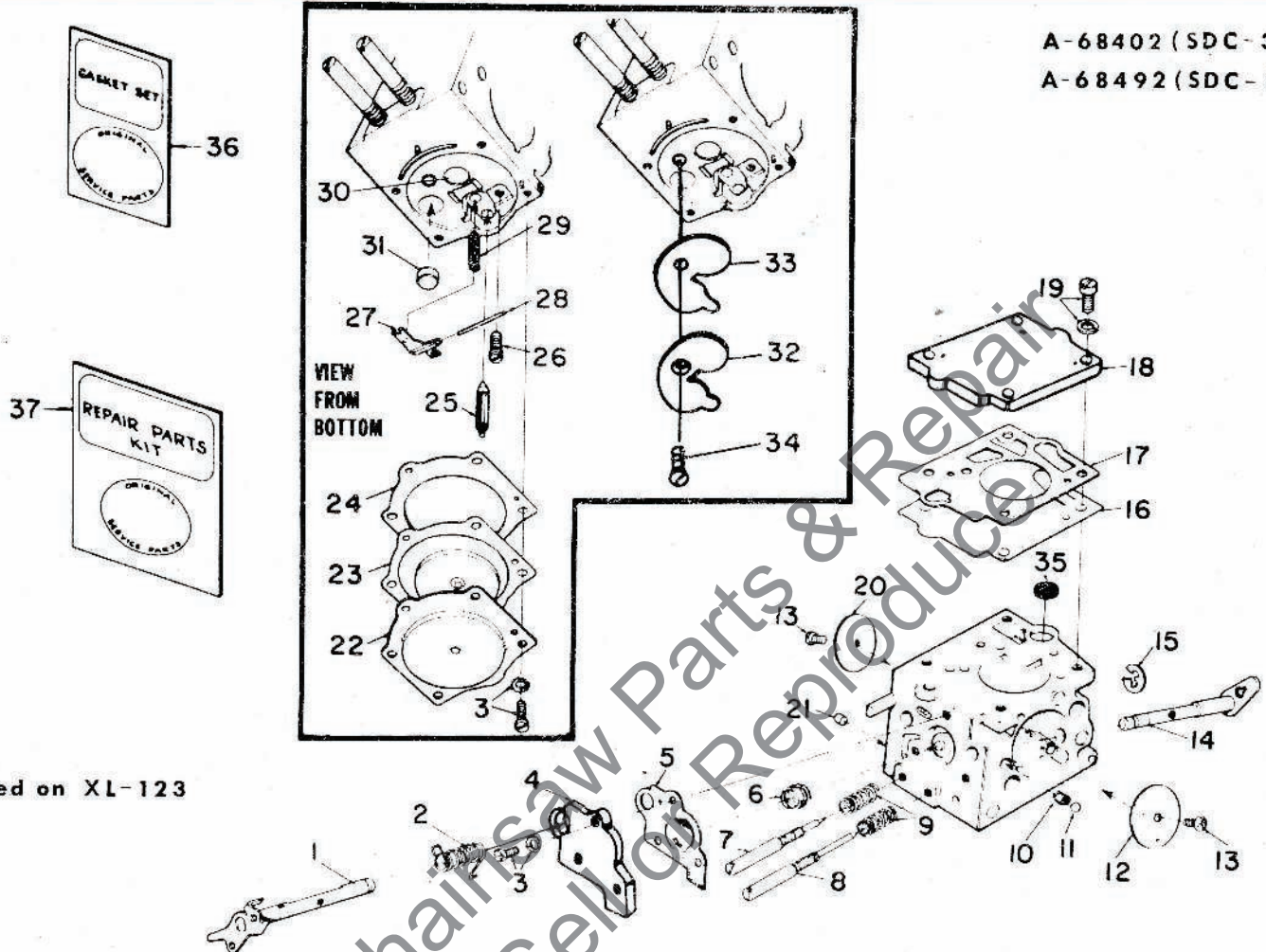


CARBURETOR PARTS

Homelite Chain Saw

A-68402 &
A-68492

A-68402 (SDC-31)
A-68492 (SDC-32)



Used on XL-123

No.	Description	Part No.	Qty.	No.	Description	Part No.	Qty.
1	SHAFT-throttle	64225	1	21	PLUG-limiting	64692	2
2	SPRING-throttle return	†67006	1	22	COVER-metering diaphragm	64224	1
3	SCREW ASSEMBLY	64689	7	23	METERING DIAPHRAGM ASSEMBLY	†64235	1
4	COVER-accelerator pump	67187	1	24	GASKET-metering diaphragm	†64231	1
5	DIAPHRAGM-accelerator pump	†67188	1	25	VALVE-inlet needle	†64229	1
6	SPRING-accelerator pump	†64240	1	26	SCREW-metering lever pin	†64688	1
7	NEEDLE-idle	†64241	1	27	LEVER-metering	†64245	1
8	NEEDLE-high speed	†64242	1	28	PIN-metering lever	†64244	1
9	SPRING-needle adjusting	†64236	2	29	SPRING-metering lever	†64237	1
10	SPRING-choke friction	†64238	1	30	PLUG-welch (main) 5/16	†65482	1
11	BALL-choke friction	†60051	1	31	PLUG-welch (idle) 3/8	†30818	1
12	VALVE-choke	64228	1	*32	PLATE-circuit	‡68780	1
13	SCREW-valve	†64693	2	*33	GASKET-circuit plate	†68781	1
14	SHAFT-choke	67109	1	34	SCREW-circuit plate	†67375	1
15	RING-throttle shaft retaining	64221	1	35	SCREEN-fuel inlet	†64243	1
16	DIAPHRAGM-fuel pump	†64233	1	36	GASKET SET	†67019	1
17	GASKET-fuel pump	†67008	1	*	GASKET SET	†68237	1
18	COVER-fuel pump	67002	1	37	REPAIR KIT	†67197	1
19	SCREW-fuel pump cover	64694	4	*	REPAIR KIT	‡68238	1
20	VALVE-throttle	67700	1		REPAIR KIT-check valve	65386	1

* Denotes new parts
† Contained in gasket sets
‡ Contained in repair kits

† Used in SDC-31 only
‡ Used in SDC-32 only

HOMELITE

Textron
DIVISION
PORT CHESTER, N.Y. U.S.A.

PART NO. 24470