

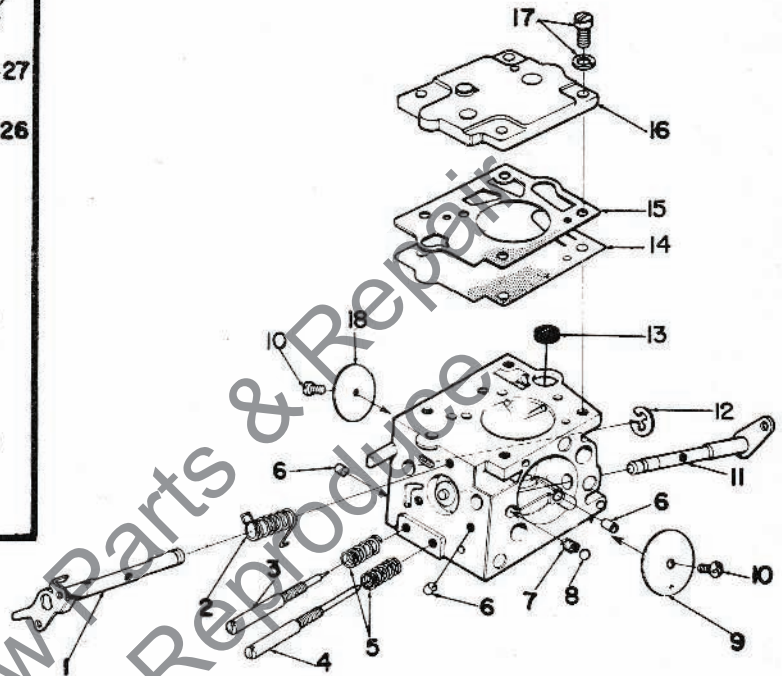
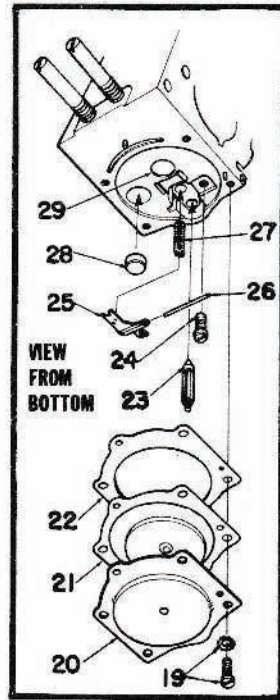
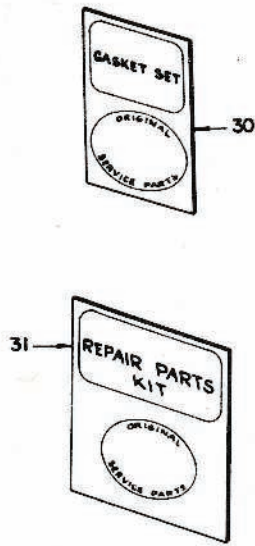
CARBURETOR PARTS

Homelite Chain Saw

A-68407

SUPERSEDES

A-65962



Used on XL Auto
 XL 12
 SXL Auto
 SXL 12 Auto
 Super XL
 Super XL 15

A-68407 (SDC-29)

No.	Description	Part No.	Qty.	No.	Description	Part No.	Qty.
1	THROTTLE SHAFT ASSEMBLY	67007	1	19	SCREW ASSEMBLY	64689	4
2	SPRING-throttle return	†67006	1	20	COVER-metering diaphragm	64224	1
3	NEEDLE-idle	†67004	1	21	METER DIAPHRAGM ASSEMBLY	†64235	1
4	NEEDLE-high speed	†67011	1	22	GASKET-metering diaphragm	†64231	1
5	SPRING-needle adjusting	†64236	2	23	VALVE-inlet needle	64229	1
6	PLUG-limiting	64692	3	24	SCREW-metering lever pin	†64688	1
7	SPRING-choke friction	64238	1	25	LEVER-metering	64245	1
8	BALL-choke friction	60051	1	26	PIN-metering lever	†64244	1
9	VALVE-choke	64228	1	27	SPRING-metering lever	†67005	1
10	SCREW-valve	†64693	2	28	PLUG-welch (idle)	†30818	1
11	CHOKE SHAFT ASSEMBLY	64227	1	29	PLUG-welch (main)	†65482	1
12	RING-throttle shaft retaining	64221	1	30	GASKET SET	67019	
13	SCREEN-fuel inlet	†64243	1	31	REPAIR KIT	67020	
14	DIAPHRAGM-fuel pump	†64233	1		REPAIR KIT-check valve	‡65386	
15	GASKET-fuel pump	†67008	1		FUEL LINE	‡68155	1
16	COVER-fuel pump	67002	1	*	GROMMET-(for fuel tank)	‡68046	1
17	SCREW-fuel pump cover	64694	4	*	BUSHING-(for throttle handle)	‡68164	1
18	VALVE-throttle	67003	1				

† Included in Repair Kit

‡ (not shown)- Included in A-68407

* Denotes new parts

ACCESSORY: 24173-DRIVER-check valve installation used with 65386 Repair Kit

HOMELITE®

A Textron
 DIVISION

PORT CHESTER, N.Y. U.S.A.

PRINTED IN U.S.A.

PART NO. 24500

1170