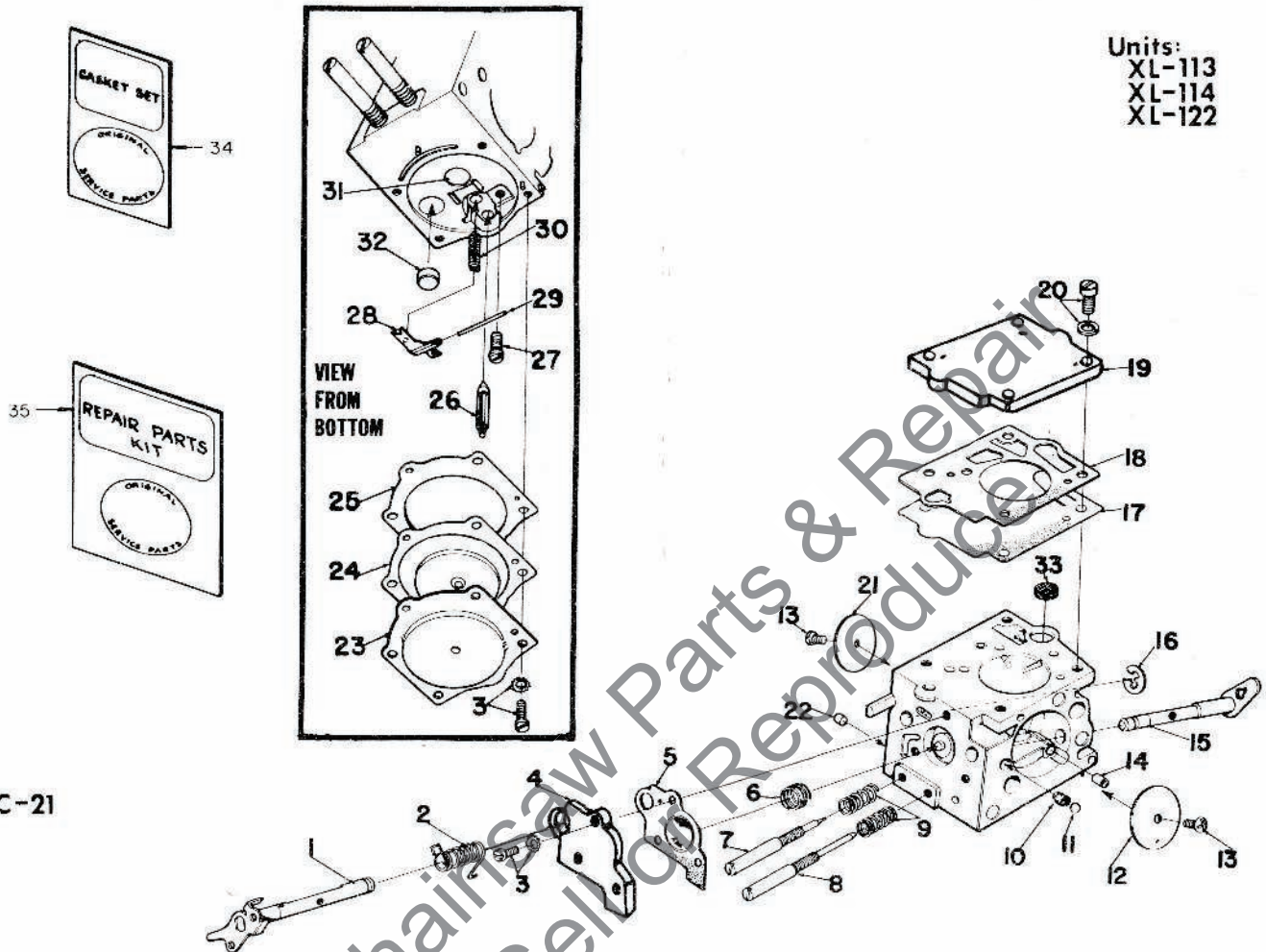


CARBURETOR PARTS

Homelite Chain Saw

Assembly Number
A-67681

Units:
XL-113
XL-114
XL-122



SDC-21

No.	Description	Part No.	Qty.	No.	Description	Part No.	Qty.
1	THROTTLE SHAFT ASSEMBLY	64225	1	19	COVER-fuel pump	67002	1
2	SPRING-throttle return	64239	1	20	SCREW-fuel pump cover	64694	4
3	SCREW ASSEMBLY	64689	7	21	VALVE-throttle	67700	1
4	COVER-accelerator pump	67187	1	22	PLUG-limiting	64692	1
5	DIAPHRAGM-accelerator pump	67188	1	23	COVER	64224	1
6	SPRING-accelerator pump	64240	1	24	METERING DIAPHRAGM ASSEMBLY	64235	1
7	NEEDLE-idle	64241	1	25	GASKET-metering diaphragm	64231	1
8	NEEDLE-high speed	64242	1	26	VALVE-inlet needle	64229	1
9	SPRING-needle adjusting	64236	2	27	SCREW-metering lever pin	64688	1
10	SPRING-choke friction	64238	1	28	LEVER-metering	64245	1
11	BALL-choke friction	60051	1	29	PIN-metering lever	64244	1
12	VALVE-choke	64228	1	30	SPRING-metering lever	64237	1
13	SCREW-valve	64693	2	31	PLUG-welch (main)	65482	1
14	JET-idle air	64690	1	32	PLUG-welch (idle)	630818	1
15	CHOKE SHAFT ASSEMBLY	64227	1	33	SCREEN-fuel inlet	64243	1
16	RING-throttle shaft retaining	64221	1	34	GASKET SET	67019	1
17	DIAPHRAGM-fuel pump	64233	1	35	REPAIR KIT	67197	1
18	GASKET-fuel pump	67008	1		REPAIR KIT-check valve	65386	1

†Included in Repair Kit 67197

HOMELITE®

A Textron DIVISION

PORT CHESTER, NEW YORK

Printed In U.S.A.

Part No. 24362

170