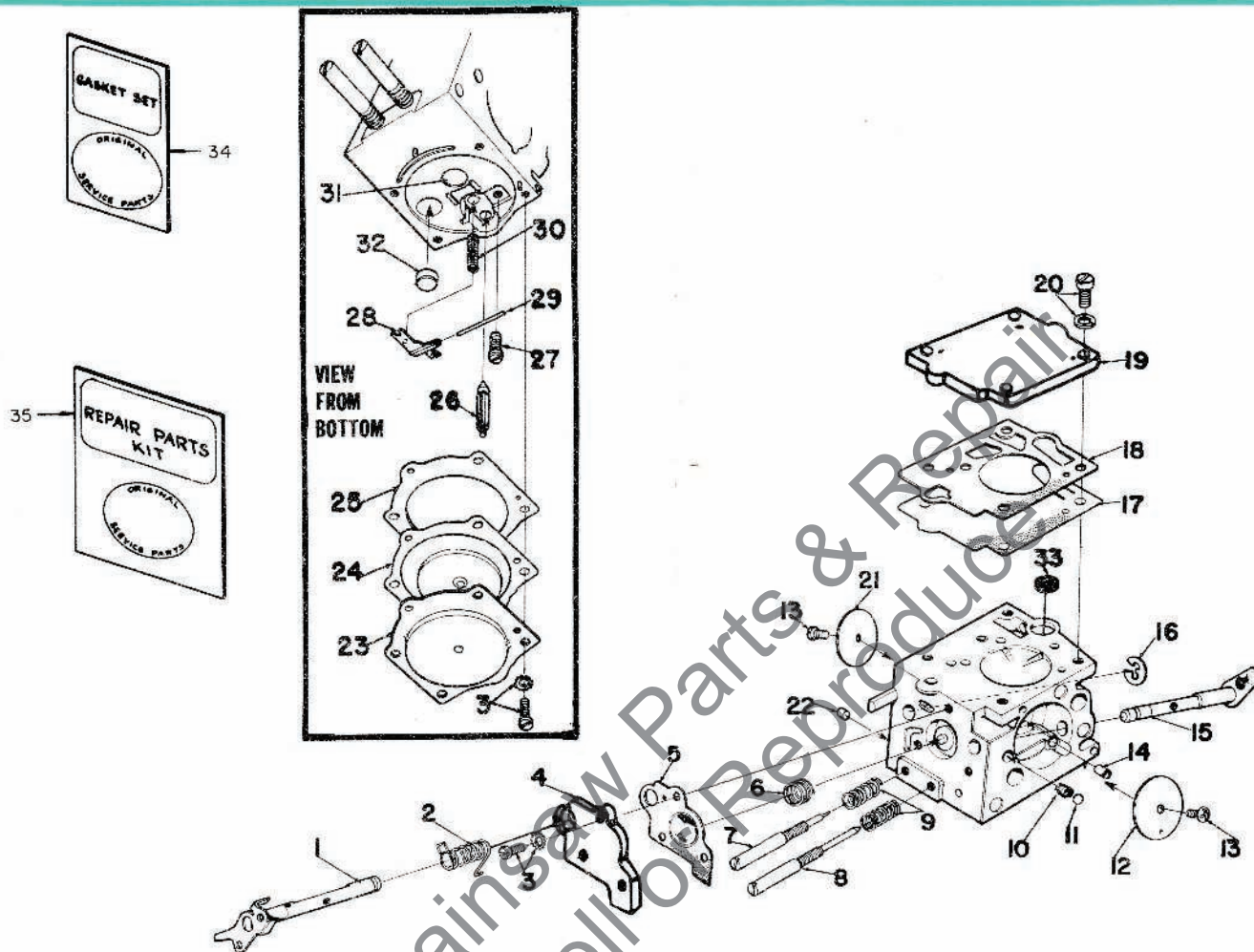


CARBURETOR PARTS

Homelite Chain Saw

Assembly Number

A-64196-A



Model-Walbro SDC-12

No.	Part No.	Description	Qty.
1	64225	SHAFT-throttle	1
2	64239†	SPRING-throttle return	1
3	64689	SCREW ASSEMBLY	7
*4	67187	COVER-accelerator pump	1
‡	64222	COVER-accelerator pump	1
*5	67188	DIAPHRAGM-accelerator pump cover	1
6	64240†	SPRING-accelerator pump	1
7	64241†	NEEDLE-idle	1
8	64242†	NEEDLE-high speed	1
9	64236†	SPRING-needle adjusting	2
10	64238†	SPRING-choke friction	1
11	60051†	BALL-choke friction	1
12	64228	VALVE-choke	1
13	64693‡	SCREW-valve	2
14	64690	JET-idle air	1
*15	67109	SHAFT-choke	1
‡	64227	SHAFT-choke	1
16	64221	RING-throttle shaft retaining	1
17	64233‡	DIAPHRAGM-fuel pump	1
18	67008§	GASKET-fuel pump	1
‡	64230	GASKET-fuel pump	1

* Denotes new parts
‡ SDC-1 only

No.	Part No.	Description	Qty.
19	67002	COVER-fuel pump	1
‡	64223	COVER-fuel pump	1
20	64694	SCREW-fuel pump cover	4
21	64226	VALVE-throttle	1
22	64692	PLUG-limiting	1
23	64224	COVER-metering diaphragm	1
24	64235†	METERING DIAPHRAGM ASSEMBLY	1
25	64231§	GASKET-metering diaphragm	1
26	64229†	VALVE-inlet needle	1
27	64688†	SCREW-metering lever pin	1
28	64245†	LEVER-metering	1
29	64244†	PIN-metering lever	1
30	64237†	SPRING-metering lever	1
31	65482†	PLUG-welch (main) 5/16"	1
32	30818†	PLUG-welch (idle) 3/8"	1
33	64243†	SCREEN-fuel inlet	1
34	67019†	GASKET SET	1
‡	64232	GASKET SET	1
*35	67197	REPAIR KIT	1
‡	64246	REPAIR KIT	1
	65386	REPAIR KIT-check valve	1

† Included in Repair Kit (Index #35)
§ Included in Gasket Set

HOMELITE®

A **Textron** DIVISION

PORT CHESTER, NEW YORK

Part No. 24107-A

169

PRINTED IN U.S.A.