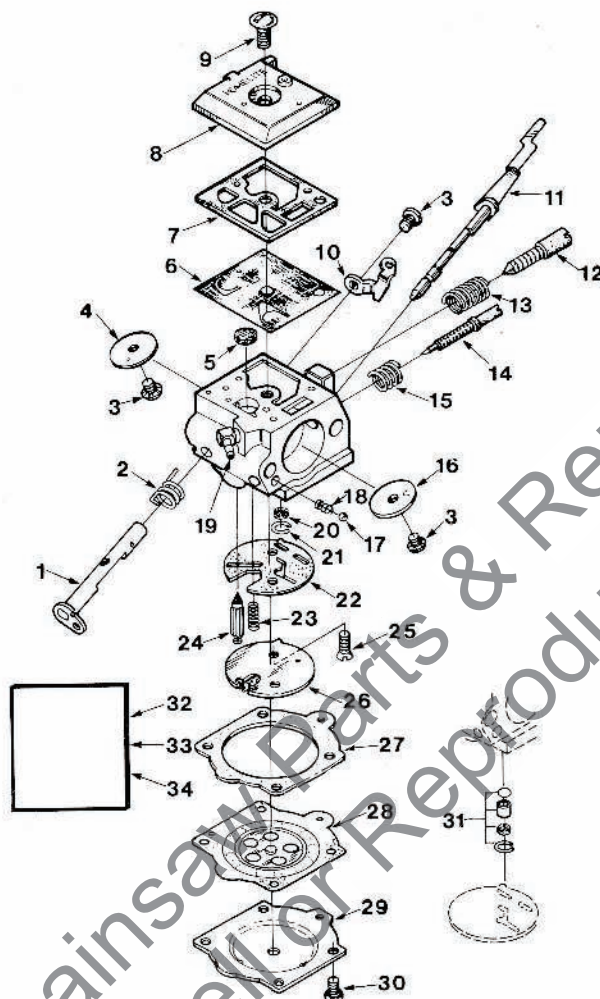


CARBURETOR PARTS

Homelite Chain Saw

ASSEMBLY NUMBER
A-94054

Printed in U.S.A. Part No. I7248



WALBRO CARBURETOR MODEL HDC-49

No.	Description	Part No.	Qty.	No.	Description	Part No.	Qty.
1	SHAFT— Throttle	68636	1	22	‡*GASKET— Circuit	67367-A	1
2	†SPRING— Throttle return	69430	1	23	†SPRING— Metering lever	94058	1
3	SCREW— Valve	67372	3	24	†VALVE— Inlet needle	64229	1
4	VALVE— Throttle	69961	1	25	SCREW— Circuit plate	67375	2
5	†SCREEN— Fuel inlet	64243	1	26	PLATE ASSEMBLY— Circuit	94057	1
6	‡DIAPHRAGM— Pump	67370	1	27	‡*GASKET— Metering diaphragm	64231	1
7	‡*GASKET— Pump	67368	1	28	‡DIAPHRAGM ASSEMBLY— Metering	67371	1
8	COVER— Fuel pump	67361	1	29	COVER— Metering diaphragm	64224	1
9	SCREW— Pump cover	67374	1	30	SCREW ASSEMBLY— Metering cover	64689	4
10	STOP— Throttle lever	70342	1	31	KIT— Check valve repair, accessory	93910	1
11	SHAFT ASSEMBLY— Choke	70697	1		Includes:		
12	SCREW— Idle adjustment	70695	1		SCREEN— Check valve	67381	1
13	SPRING— Needle adjustment	12199	1		RING— Screen retaining	67360	1
14	†NEEDLE— Adjustment	70657	1		VALVE— Check		1
15	†SPRING— Needle adjustment	67377	1		SEAT— Valve		1
16	VALVE— Choke	69428	1	32	†KIT— Gasket diaphragm	70655	1
17	BALL— Choke friction	60051	1	33	REPAIR KIT	94061	1
18	†SPRING— Choke friction	64238	1	34	GASKET SET	67369-A	1
19	FITTING— Fuel inlet	69365	1				
20	†SCREEN— Check valve	67381	1				
21	†RING— Screen retaining	67360	1				

* Gasket Set
† Repair Kit
‡ Gasket & Diaphragm Kit

HOMELITE TEXTRON

Homelite Division of Textron Inc.