

CARBURETOR PARTS

Homelite Chain Saw

A-68251-A
A-67887-C

A-67887-C (HS-92D)

Used on

XL 921

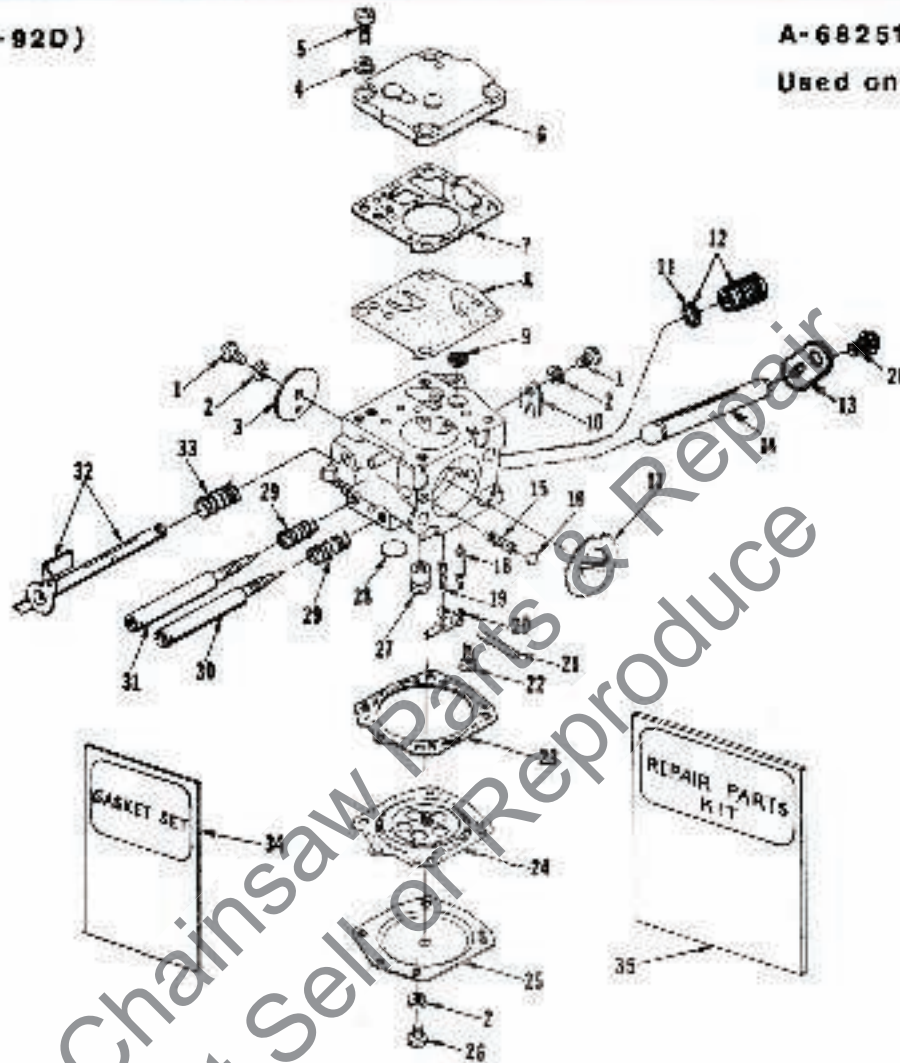
XL 923

XL 924

XL 923 FP

A-68251-A (HS-103B)

Used on XL 924W only



No.	Description	Part No.	Qty.	No.	Description	Part No.	Qty.
1	SCREW-rd., 4-40 x 9/16	80264	2	19	NEEDLE-inlet	†59717	1
2	WASHER-lock, #4	†83003-1	6	19	SPRING-control lever	†55759	1
3	SHUTTER-throttle	87934	1	20	LEVER-inlet control	†59716	1
4	WASHER-lock, #6	83024	4	21	PIN-control lever fulcrum	†58977	1
5	SCREW-ll, 6-32 x 1/8	80275	4	22	SCREW-oval, 4-40 x 1/4	†65798	1
6	COVER-fuel pump diaphragm	58975	1	23	GASKET-main diaphragm	58978	1
7	GASKET-pump diaphragm	58981	1	24	DIAPHRAGM-main control	†58988	1
8	DIAPHRAGM-fuel pump	†58990-R	1	25	COVER-main diaphragm	58979	1
9	SCREEN-fuel inlet	†58974	1	26	SCREW-rd., 4-40 x 1/4	80391	5
10	CLIP-throttle shaft retaining	58982	1	27	VALVE-check (See Note)	68284	1
11	GASKET	74060	1	28	PLUG-extension (large)	†58991	1
	GASKET (A-68251-A only)	55344	1	29	SPRING-adjustment needle	†73075	2
12	VALVE-governor	A-65801	1	30	SCREW-main adjustment	†33876	1
	PLUG-screw (A-68251-A only)	68297	1	31	SCREW-inlet adjustment	†83877	1
13	LEVER-choke	68397	1	32	SHAFT-throttle w/lever	A-67905	1
14	LEVER-choke	65799	1	33	SPRING-throttle opening	†59460	1
15	SPRING-choke friction	73284	1	34	GASKET-set	47866	1
16	BALL-choke friction	25527	2	35	REPAIR KIT	67970	1
17	SHUTTER-choke	58954	1				

† Included in Repair Kit

Note - 68284 Check Valve can be used in place of 54444 Check Valve for carburetors that are hard starting.

HOMELITE