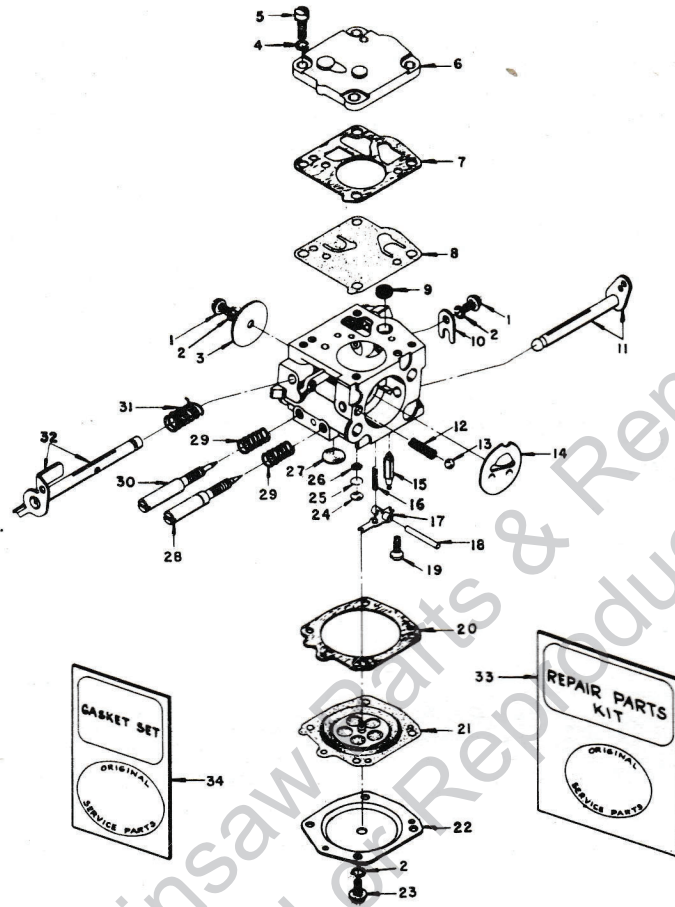


# CARBURETOR PARTS

Homelite Chain Saw

Assembly Number  
A-63448



TILLOTSON MODEL HS-26A

No.	Part No.	Description	Qty.	No.	Part No.	Description	Qty.
1	* 80264	SCREW - rd., 4-40 x 3/16 . . . . .	2	18	* 58977	PIN - control lever . . . . .	1
2	83008-1	WASHER - lock, #4 . . . . .	6	19	* 58992	SCREW - 4-40 x 5/16 . . . . .	1
3	25050	SHUTTER - throttle . . . . .	1	20	58978	GASKET - diaphragm . . . . .	1
4	83024	WASHER - lock, #6 . . . . .	1	21	* 58988	DIAPHRAGM - main . . . . .	1
5	80275	SCREW - fil., 6-32 x 3/8 . . . . .	4	22	58979	COVER - diaphragm . . . . .	1
6	58975	COVER - pump . . . . .	1	23	80591	SCREW - rd., 4-40 x 1/4 . . . . .	4
7	58981	GASKET - fuel pump . . . . .	1	24	* 58994	PLUG - expansion . . . . .	1
8	* 58980-R	DIAPHRAGM - fuel pump . . . . .	1	25	57819	RING - retaining . . . . .	1
9	* 58974	SCREEN . . . . .	1	26	59500	SCREEN - channel . . . . .	1
10	58982	CLIP - throttle shaft . . . . .	1	27	* 58991	PLUG - expansion . . . . .	1
11	58990	SHAFT & LEVER - choke . . . . .	1	28	* 63676	NEEDLE - main adjusting . . . . .	1
12	73264	SPRING - choke friction . . . . .	1	29	* 73075	SPRING - needle . . . . .	2
13	25527	BALL - choke friction . . . . .	1	30	* 63677	NEEDLE - idle adjusting . . . . .	1
14	58984	SHUTTER - choke . . . . .	1	31	* 59460	SPRING - throttle return . . . . .	1
15	* 59717	NEEDLE - inlet . . . . .	1	32	A-63345	SHAFT & LEVER - throttle . . . . .	1
16	* 55759	SPRING - inlet . . . . .	1	33	63679	REPAIR KIT . . . . .	1
17	* 59716	LEVER - inlet . . . . .	1	34	* 58971	GASKET SET . . . . .	1

\* Included in Repair Kit.

# HOMELITE

A **textron** DIVISION

PORT CHESTER, NEW YORK