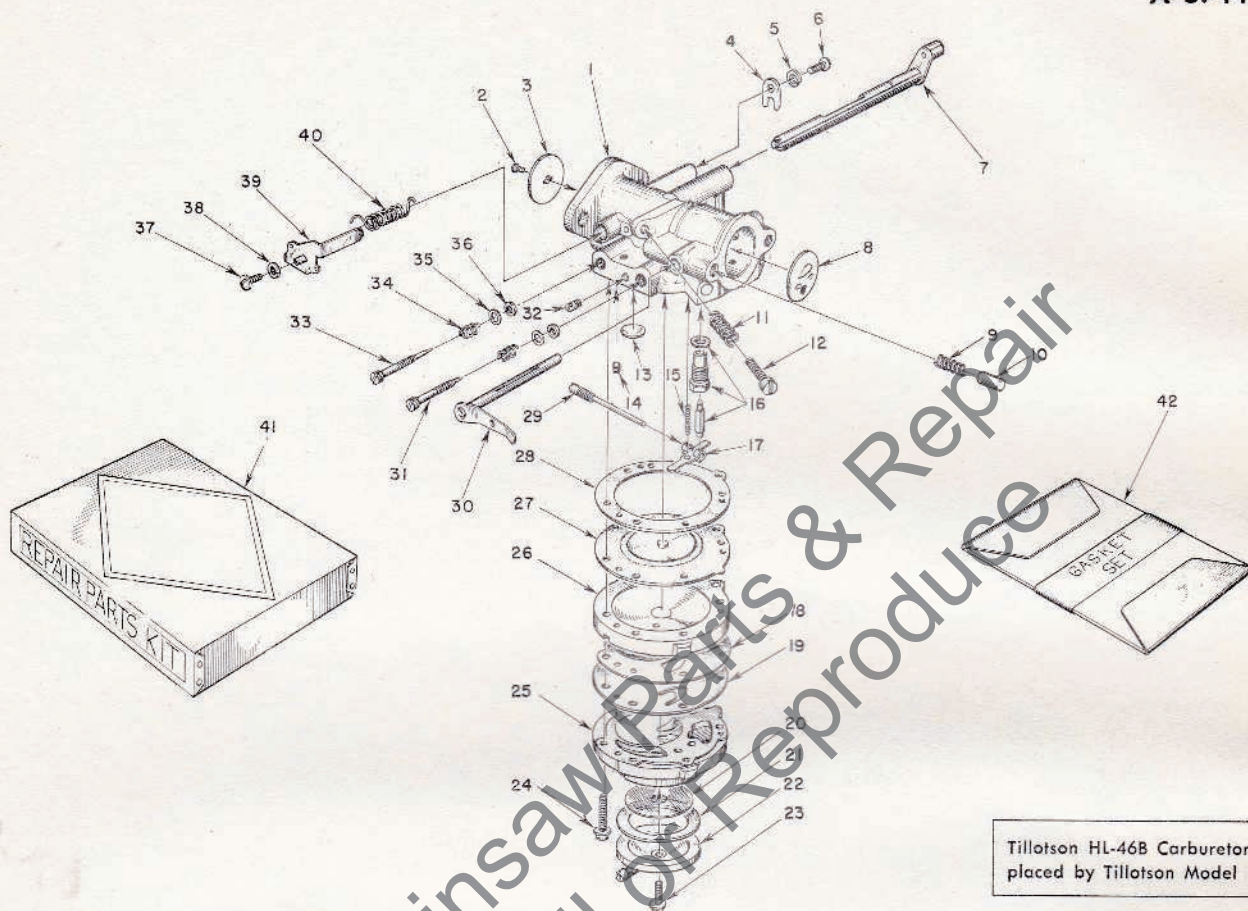


# CARBURETOR PARTS

Homelite Chain Saw

Assembly Number  
**A-56484**

**NO LONGER SUPPLIED**  
**REPLACED BY ASSEMBLY**  
**A-57440**



Tillotson HL-46B Carburetor may be replaced by Tillotson Model HL-104A.

TILLOTSON MODEL HL-46B

Index No.	Part No.	Description	No. Required	Index No.	Part No.	Description	No. Required
1	A-56484	CARBURETOR—Complete	1	21	*55751	GASKET—pump strainer	1
		Includes		22	55750	COVER—fuel pump	1
2	*80012	SCREW—throttle shutter	1	23	55756	SCREW—pump cover retaining	1
3	75532	SHUTTER—throttle	1	24	55316	SCREW—body, w/lockwasher	6
4	73086	CLIP—throttle shaft	1	25	55748	BODY—fuel pump	1
5	83000	WASHER—#8 lock	1	26	55749	COVER—main diaphragm	1
6	73088	SCREW—8-32 x 5/16 flat hd.	1	27	*57829	DIAPHRAGM—main	1
7	A-77455-1	SHAFT & LEVER—throttle	1	28	*57824	GASKET—main diaphragm	1
8	75734	SHUTTER—choke	1	29	A-55762	PIN—inlet lever fulcrum	1
9	73264	SPRING—choke friction	1	30	*A-75740	LEVER—choke	1
10	71494	PIN—choke friction	1	31	*75736	SCREW—idle adjustment (lo speed)	1
11	*28064	SPRING—idle stop screw	1	32	†73067	PLUG—drain	1
12	*71509	SCREW—idle stop	1	33	*75739	SCREW—main adjustment (hi speed)	1
13	30818	PLUG—welch (idle chamber)	1	34	73075	SPRING—adjustment screw	2
14	55763	PLUG—channel	1	35	75735	WASHER—adjustment screw	2
15	*55759	SPRING—control lever	1	36	*75733	PACKING—adjustment screw	2
16	*A-57728	INLET NEEDLE AND SEAT	1	37	*80006-1	SCREW—4-36 x 1/4 rd. hd.	1
		Includes		38	83008	WASHER—#4 lock	1
	55344	GASKET—inlet seat	1	39	77247-1	LEVER—throttle stop	1
17	*55747	LEVER—inlet control	1	40	58569	SPRING—throttle return	1
18	55881	GASKET—pump diaphragm	1	41	77343	REPAIR PARTS KIT (RK-378)	1
19	*58193	DIAPHRAGM—fuel pump	1	42	*57919	GASKET SET (GS-155)	1
20	55752	SCREEN—fuel strainer	1				

\*Included in Repair Parts Kit

Use 55746 Lead Shot in late models