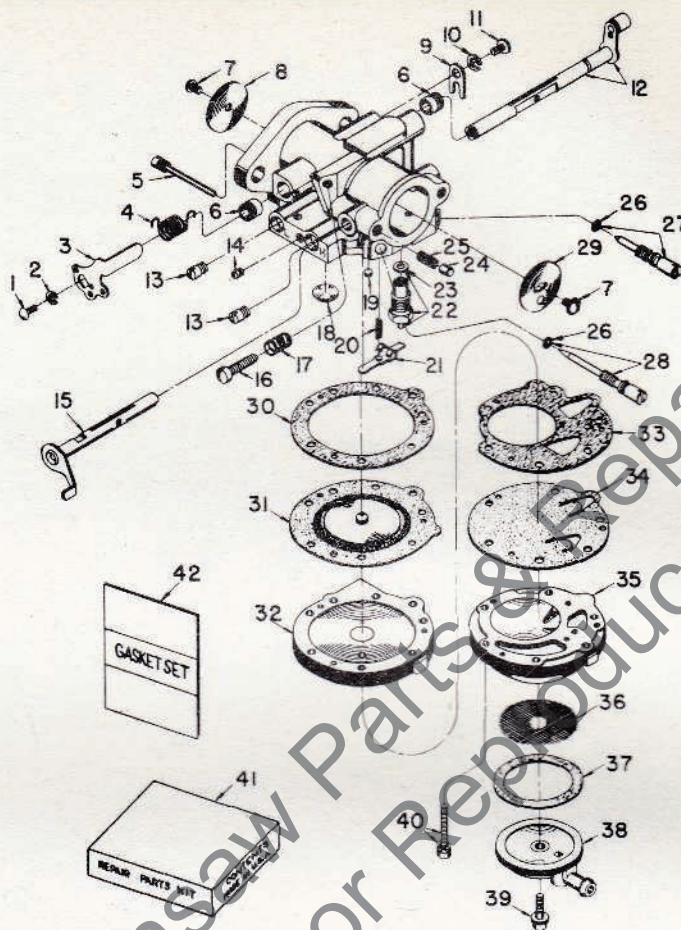


# CARBURETOR PARTS

Homelite Chain Saw

Assembly Number  
A-57440



THORNTON MODEL HL-104A

Index No.	Part No.	Description	No. Required	Index No.	Part No.	Description	No. Required
	A-57440	CARBURETOR - complete		21	* 55747	LEVER - inlet valve control	1
		Includes		22	* A-57728	INLET NEEDLE & SEAT	1
1	* 80006-1	SCREW - rd. hd., 4-36 x 1/4"	1	23	55344	GASKET	1
2	* 83008-1	WASHER - lock #4	1	24	71494	PLUNGER - choke friction	1
3	77247-1	LEVER - throttle stop	1	25	73264	SPRING - choke friction	1
4	† 58569	SPRING - throttle opening	1	26	55764	"O" RING	2
5	* A-55762	PIN - inlet lever fulcrum	1	27	* A-75527	SCREW - main adjustment (includes "O" ring #55764)	1
6	72812	BUSHING	2	28	* A-75530	SCREW - idle adjustment (includes "O" ring #55764)	1
7	80465	SCREW - rd. hd., 6-32 x 3/16"	2	29	73263	SHUTTER - choke	1
8	73532	SHUTTER - throttle	1	30	57824	GASKET - diaphragm cover	1
9	73086	CLIP - throttle	1	31	* 57829	DIAPHRAGM - main	1
10	83000	WASHER - lock #8	1	32	55749	COVER - diaphragm	1
11	73088	SCREW - flat hd., 8 - 32 x 5/16"	1	33	55881	GASKET - fuel pump	1
12	A-77455-1	THROTTLE SHAFT & LEVER	1	34	* 58193	DIAPHRAGM - fuel pump	1
13	71505	SCREW - headless plug 10 - 32	2	35	55748	BODY - fuel pump	1
14	73067	SCREW - headless plug 8 - 32 early model	1	36	* 55752	SCREEN - strainer	1
	55746	LEAD SHOT - late model	1	37	55751	GASKET - strainer	1
15	A-55766	CHOKE SHAFT & LEVER	1	38	55750	COVER - strainer	1
16	* 71509	SCREW - fil. hd., 8 - 32 x 9/16"	1	39	* 55756	SCREW - strainer cover	1
17	* 28064	SPRING - idle stop screw	1	40	55316	SCREW - fil. hd., (w/lockwasher)	6
18	* 30818	PLUG - Welch, 3/8" dia.	1	41	58191	REPAIR KIT	1
19	* 55763	PLUG - channel	1	42	* 55836	GASKET SET	1
20	* 55759	SPRING - inlet tension	1				

\* Included in Repair Parts Kit

† Throttle Opening Spring #58569 (illustrated) is for use in saws without governors. Replace with Friction Spring #56175 (not shown) for governor equipped saws.