

BRANCH SERVICE MEMO NO. 440

DEALER SERVICE MEMO NO. 189

Distribution: List Nos. 5 & 8

TO: All Branches and Chain Saw Dealers

SUBJECT: Throttle Opening Spring

DATE: 1/3/63

A heavier throttle opening spring #58569 is now available for all non-governed saws which used throttle opening spring #75756 previously.

The new spring #58569 may be used on the following carburetors when used on non-governed saws:

<u>Part Number</u>	
<u>Homelite</u>	<u>Tillotson</u>
A-56484	HL46B
A-57012	HL62AX
A-57440	HL104A

Please mark your carburetor sheets accordingly.

Robert S. Townsend
Ass't. Service Manager

bn



Distribution: List Nos. 5 & 8

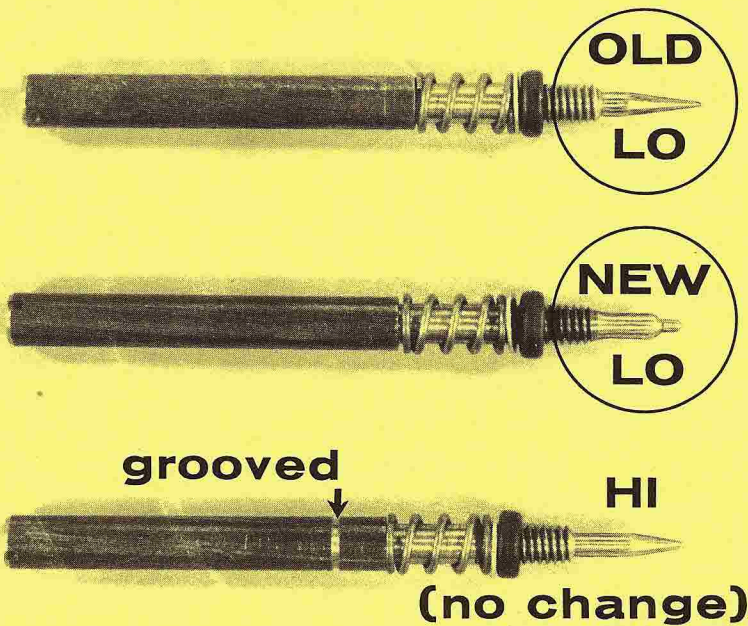
TO: All Branches and Chain Saw Dealers

SUBJECT: C-5 Carburetor Change

DATE: 2/1/63

Effective with S/N 1369597 all C-5 chain saws will use carburetor #A-58360-A (HL-141B), the same carburetor used on C-7 and C-9 models. This carburetor will be supplied for service of all C-5 units.

The major difference between #A-58360-A and #A-58360 is the shape of the idle mixture adjusting needle (see illustration). The high speed or main adjusting needle is still identified by the grooved shank.



Starting instruction decal #58679-A will be used for service of all "C" series saws. Mark your parts lists accordingly.

Robert S. Townsend

Robert S. Townsend
Ass't. Service Manager

bn

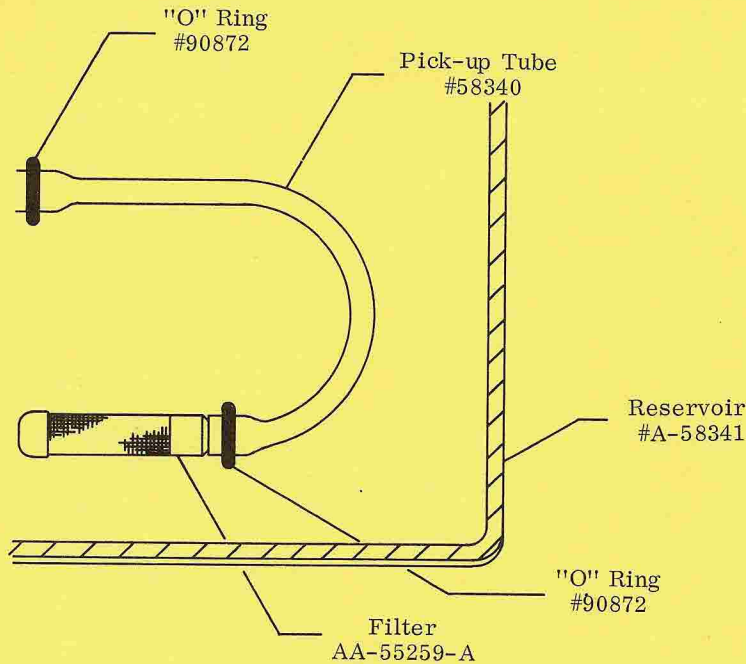
Distribution: List Nos. 5 & 8

TO: All Branches and Chain Saw Dealers

SUBJECT: Chain Oilers

DATE: 3/28/63

UNITS AFFECTED: C-5, C-7, C-9



Factory installed on

C-5 from #1411055

C-7 from #1410782

C-9 from #1408836

We have ordered molded rubber tubing for the oil pick-up tube in C chain saws. This tubing will be similar to (but shorter than) the flexible fuel line inside the tank. The fitting on one end and the strainer on the other end will be flared for firm attachment.

Until the new tubing becomes available (in about six weeks) we are using two small O-rings Homelite Part No. 90872, as shown above, to keep the old pick-up tube from becoming detached or split.

A supplement to this service memo will be sent to you as soon as the new tube and fittings become available.

In the meantime, use O-ring 90872 as required.

Walter N. Herold
Service Manager

