



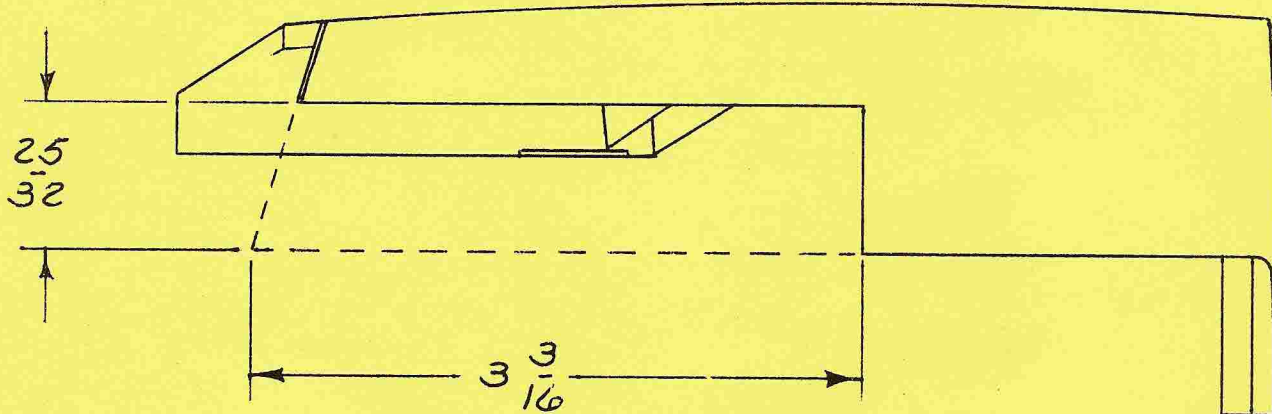
Distribution: List Nos. 5 & 8

TO: Homelite Branches and Chain Saw Dealers

SUBJECT: XL-12 Drive Case Cover Modification

DATE: 1/28/64

To provide clearance for the utility clearing or bow guide as used on XL-12, the drive case cover should be modified, as shown:



Covers modified as shown must be used with the following:

** A-52972	Utility Guide	Use A-52963	20" chain	69 links
* A-52994	Clearing Guide	Use A-52964	24" chain	81 links
* A-52971	Bow Guide	Use A-52964	24" chain	81 links

** Available now.

* Will be available by March 1st.

Please add this information to your parts lists.

Robert S. Townsend

Robert S. Townsend
Ass't. Service Manager



Distribution: List Nos. 5 & 8

TO: All Branches and Chain Saw Dealers

SUBJECT: Chrome Plated Cylinder for 9-Series

DATE: 1/31/64

UNITS AFFECTED: 900D & G; 909D & G; 990D & G

We are now shipping cylinder P/N A-58289 (chrome plated) in place of cylinder P/N A-58306-1.

Please mark your records to indicate that P/N A-58289 supersedes P/N A-58306-1 in all usage.

A handwritten signature in cursive script that reads "Robert S. Townsend".

Robert S. Townsend
Ass't. Service Manager

dm

PERFORMANCE • DEPENDABILITY
SERVICE

HOMELITE

a division of Textron Inc.

BRANCH SERVICE MEMO NO. 479-CS

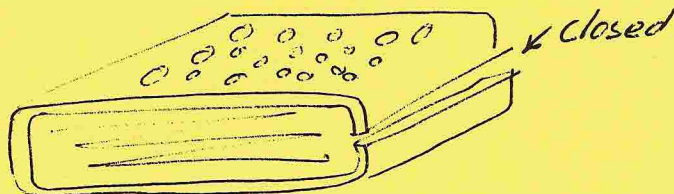
DEALER SERVICE MEMO NO. 218

Distribution: List Nos. 5 & 8

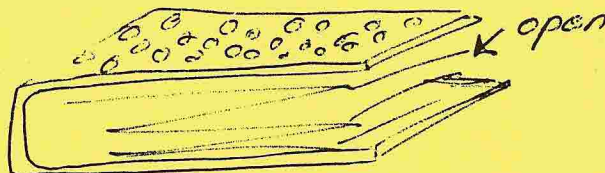
TO: Branches and Chain Saw Dealers

SUBJECT: Muffler Element A-56068-A

DATE: 2/14/64



A-56068-A
Use this one.



A-56068
Do not use.

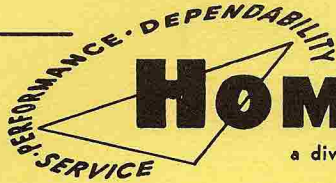
It has just come to our attention, that a number of A-56068 Muffler elements were used in Model 770 Chain Saws. Failure of the perforated retainer has ruined several engines.

Please inspect Model 770 saws under your control. Discard any A-56068 elements.

Use only A-56068-A with the folded over edge to help prevent expensive repairs.

Walter N. Herold
Service Manager

dm



BRANCH SERVICE MEMO NO. 480-C5

DEALER SERVICE MEMO NO. 219

Distribution: List Nos. 5 & 8

TO: All Branches and Chain Saw Dealers

SUBJECT: Parts Changes XL-12 Parts List

DATE: 2/20/64

Please make the following changes on Page 5 of the XL-12 Parts List
(No. 23755):

<u>Index No.</u>		<u>Change To</u>
7	81068	Nut - hex, <u>12-24</u>
8	83056	Washer - lock, <u>#12</u>
13	80867	Screw - flat hd., <u>12-24</u> x 3/4
36	80899	Screw - hex hd., 12-24 x <u>9/16</u>

Walter N. Herold
Service Manager

dm

