

Homelite®

GB PARTS LIST

F LISTE DE PIÈCES

D TEILELISTE

I ELENCO DEI PEZZI

E LISTA DE PIEZAS



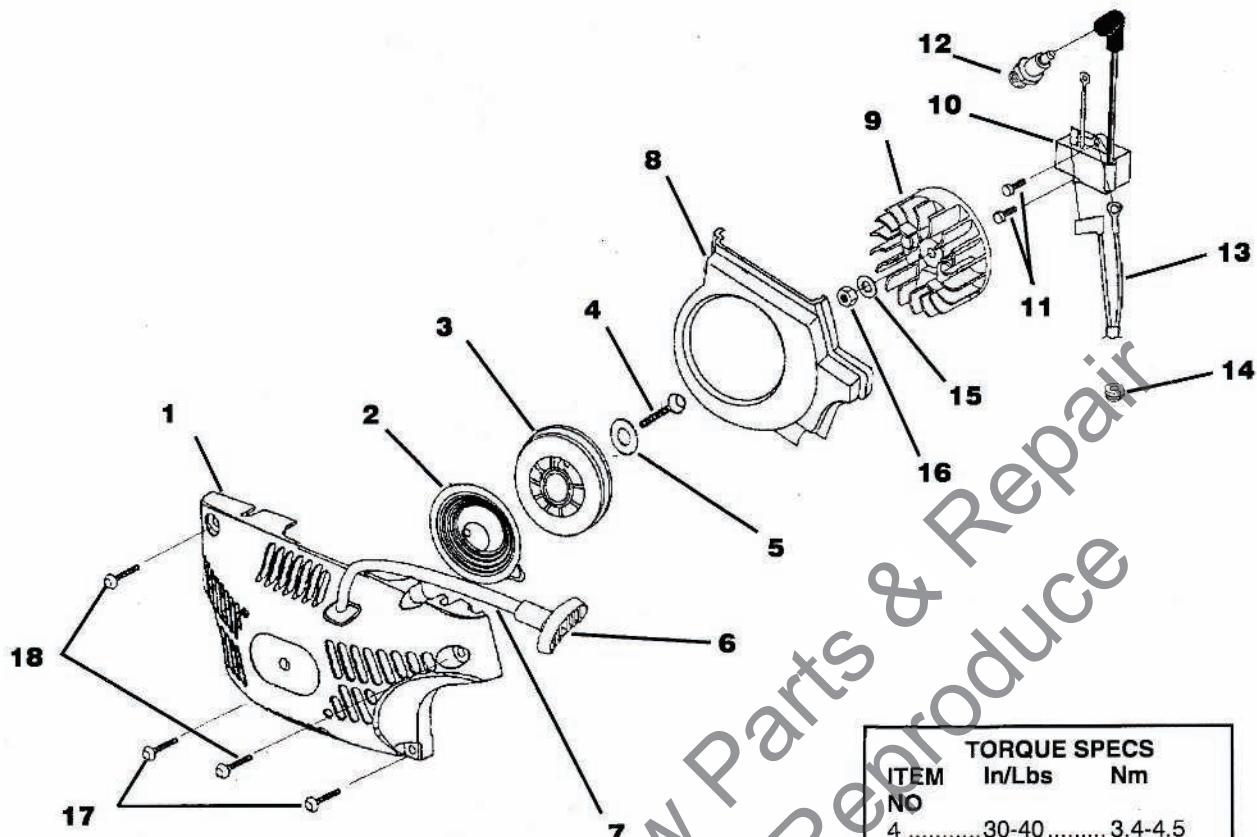
d3350b	UT10767
d3350bc	UT10768
z3350b	UT10759
z3350bc	UT10771
i3350b	UT10774

d3850b	UT10769
d3850bc	UT10770
z3850b	UT10772
z3850bc	UT10773
i3850b	UT10758

Printed in U.S.A.
Imprimé aux. E.-U.
Gedruckt in den U.S.A.
Stampato negli Stati Uniti
Impreso en EE. UU.

P/N 16010

STARTER - IGNITION

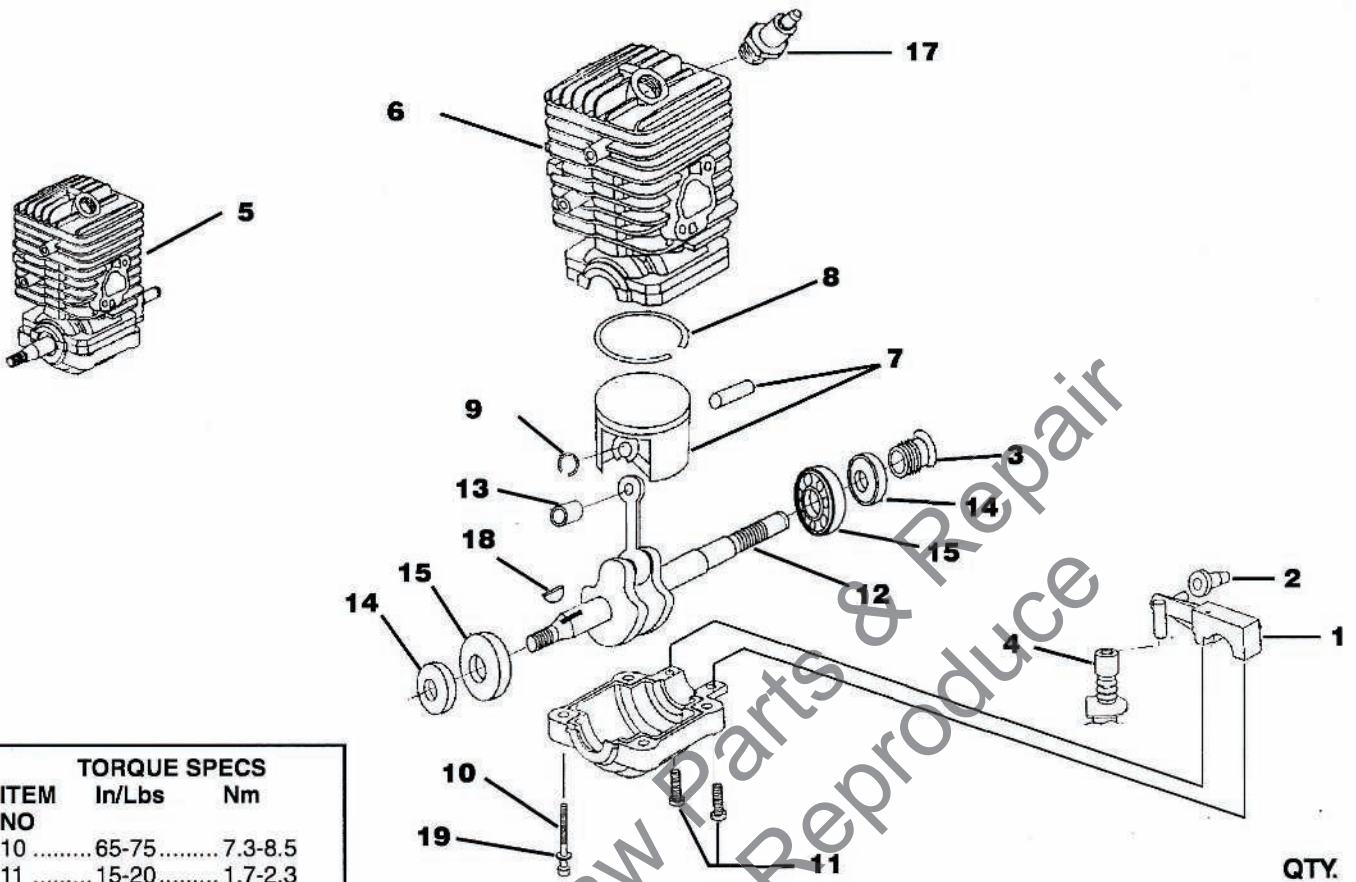


TORQUE SPECS		
ITEM NO	In/Lbs	Nm
4	30-40	3.4-4.5
11	30-40	3.4-4.5
17	100-150	11.3-16.9
18	30-40	3.4-4.5
19	30-40	3.4-4.5

NO.	PART NO.	DESCRIPTION	QTY.
1	A 08679	Starter Kit	1
2	A 97908	Spring & Container	1
3	97768 B	Pulley, Starter	1
4	82563	Screw, Thread Form (10-14 x 3/4")	1
5	94062	Washer, Retaining	1
6	07588	Grip, Starter	1
7	97899 01	Rope, Starter 46"	1
8	06876	Baffle, Fan Housing	1
9	A 04158	Rotor & Starter Pawl	1
10	A 08676	Ignition Kit	1
11	82575	Screw, Thread Form (8-32 x 5/8")	2
12	93561 S	Spark Plug	1
13	A 07602	Ignition Switch Harness	1
14	07587	Grommet, Wire Harness (Split)	1
15	84065	Washer, Flat	1
16	81229 A	Nut, Jam	1
17	82620	Screw, Truss Hd. (10-14 x 7/8")	2
18	82621	Screw, Truss Hd. (10-14 x 5/8")	2

Assembly
Ensembles
Bausätze
Complssi
Conjuntos

ENGINE INTERNAL



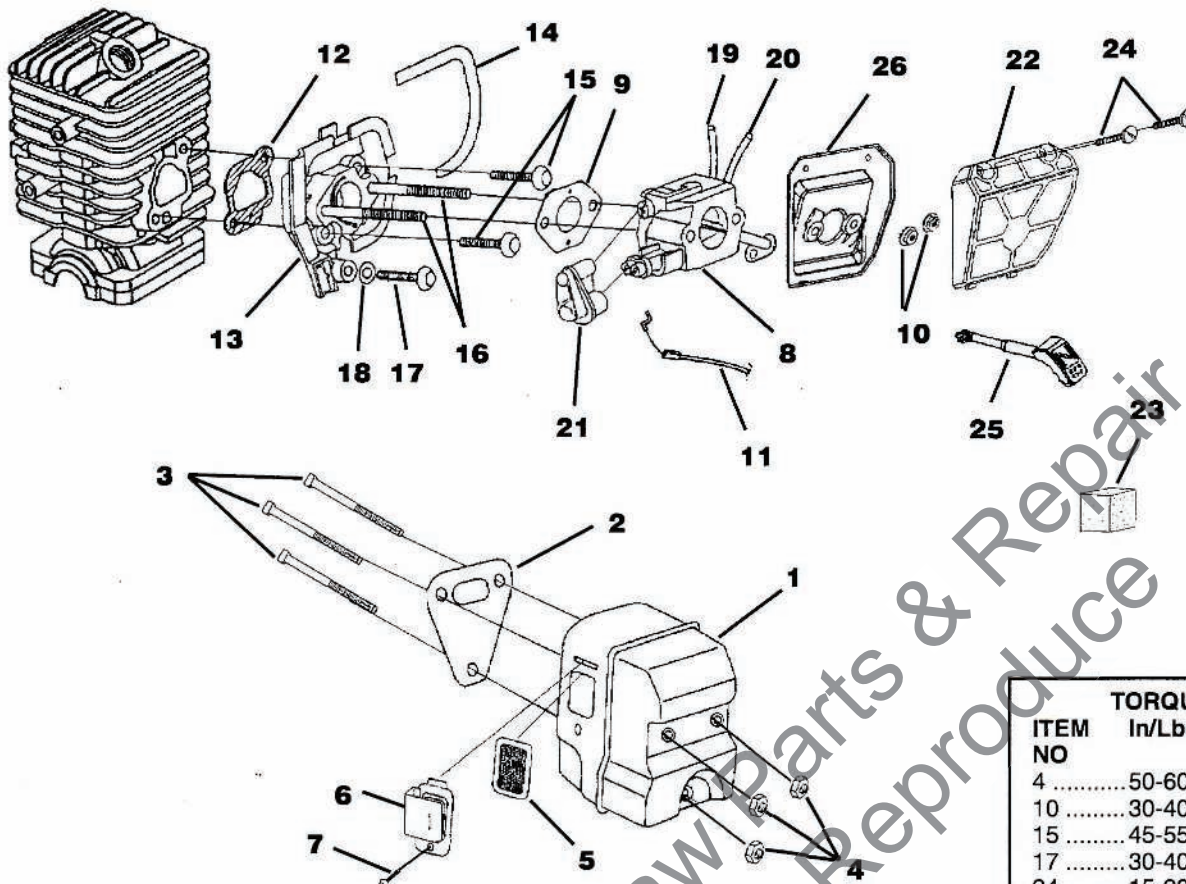
TORQUE SPECS		
ITEM NO	In/Lbs	Nm
10	65-75	7.3-8.5
11	15-20	1.7-2.3

QTY.

Assembly
Ensembles
Bausätze
Compressi
Conjuntos

NO.	PART NO.	DESCRIPTION	QTY.
1	• A 08682	Oil Pump Kit	1
2	06841	Grommet, Oil Outlet	1
3	06847	Left Hand Worm	1
4	06848	Tube, Oil Intake	1
	A 68593	Oil Filter (Not Shown)	1
5	• A 08671	Short Block, Complete (33cc)	1
	A 08672	Short Block, Complete (38cc)	1
6	• A 08666	Cylinder Kit (33cc)	1
	A 08667	Cylinder Kit (38cc)	1
	06839	Gasket, Muffler (Not Shown)	1
	06840	Gasket, Heat Dam (Not Shown)	1
	98339	Gasket, Carburetor (Not Shown)	1
7	• A 08668	Piston & Pin (33cc)	1
8	04933	Piston Ring	1
9	64813	Ring, Retaining	2
7	• A 08669	Piston & Pin (38cc)	1
8	06857	Piston Ring	1
9	64813	Ring, Retaining	2
10	82527	Screw, Cap-Socket Hd. (10-24 x 2")	4
11	06851	Screw, Pan Hd. (8-16 x 5/8")	2
12	• A 08670	Crankshaft & Rod Assembly	1
13	04921	Bearing, Needle	1
14	04920	Shaft Seal	2
15	• A 04931	Bearing & Case	2
16	04919	Case (Not Shown)	1
17	93561 S	Spark Plug	1
18	69250	Woodruff Key	1
19	84008	Washer	4

CARBURETOR - MUFFLER - AIR FILTER

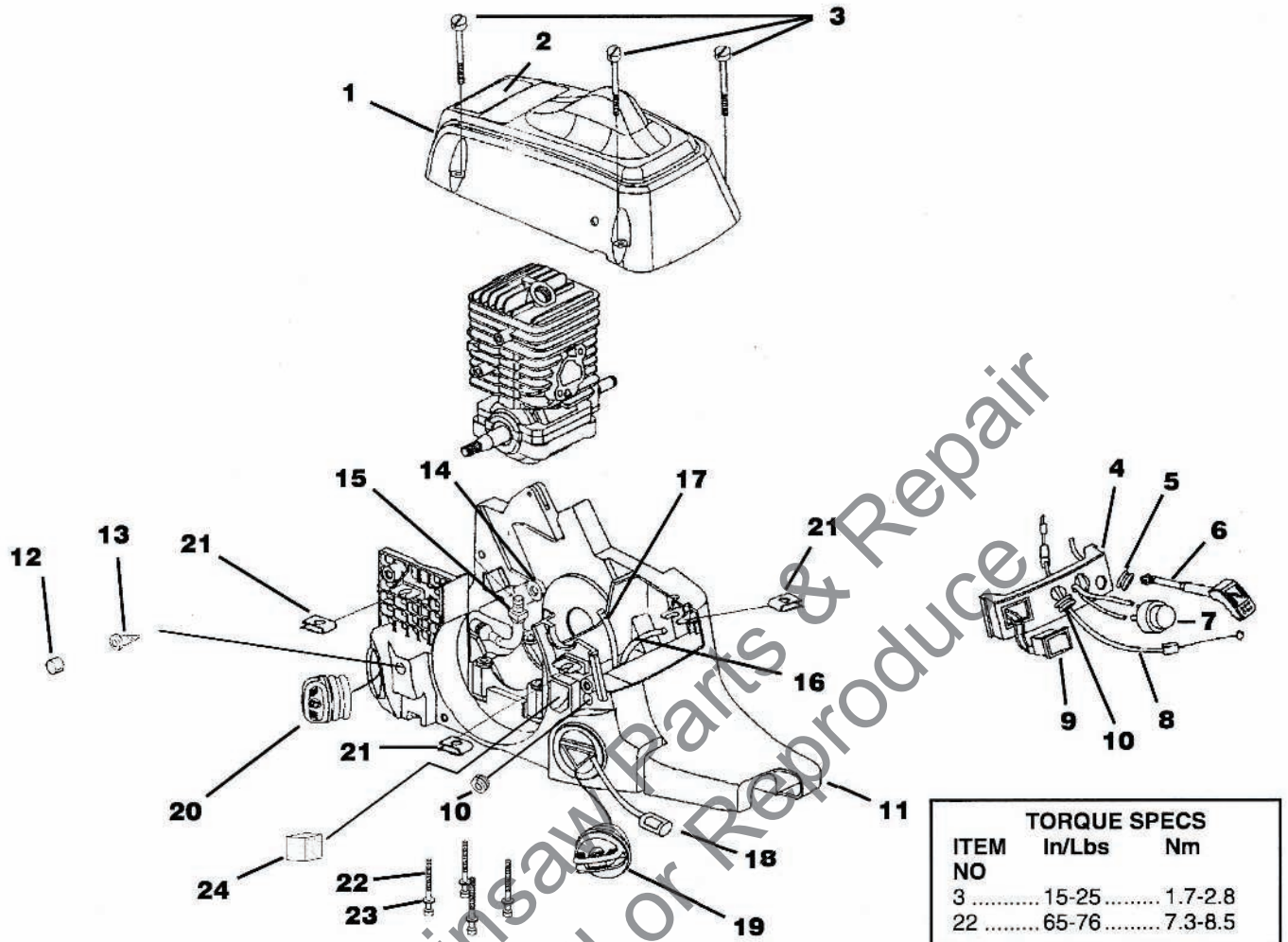


TORQUE SPECS		
ITEM NO	In/Lbs	Nm
4	50-60	5.6-6.7
10	30-40	3.4-4.5
15	45-55	5.0-6.2
17	30-40	3.4-4.5
24	15-20	1.7-2.3

NO.	PART NO.	DESCRIPTION	QTY.
1	• A 08694	Muffler Kit	1
2	06839	Muffler Gasket	1
3	07592	Screw-Square Hd.	3
4	81206	Nut-Locking Hex (10-32)	3
5	07394	Screen, Spark	1
6	07397	Diffuser, Muffler	1
7	95922	Screw	1
8	• A 08674	Carburetor Kit	1
9	98339	Carburetor Gasket	1
10	07589	Flange Nut (10-24)	2
11	A 02596	Throttle Cable	1
12	06840	Gasket, Heat Dam	1
13	04916	Heat Dam	1
14	06873	Seal, Heat Dam	1
15	82539	Screw, Truss Hd. Taptite (10-24 x 7/8")	2
16	06852	Screw, Carburetor	2
17	82541	Screw, Thread Form (10-14 x 1/2")	1
18	12789	Washer, Retaining	1
19	07454 34	Fuel Line (Tank to Carburetor 8 1/2")	1
20	07454 16	Fuel Line (Carburetor to Purge Bulb 4")	1
21	04907	Carburetor Grommet	1
	• A 08693	Air Filter Kit	1
22	04938	Air Filter Cover	1
23	07407	Pre Filter (In engine housing)	1
24	82617	Screw-Slotted Pan Hd. (8-16 x 5/8")	2
25	07579	Rod, Choke	1
26	04939	Air Filter Plate	1

Assembly
Ensembles
Bausätze
Complessi
Conjuntos

ENGINE HOUSING - FUEL TANK - OIL TANK



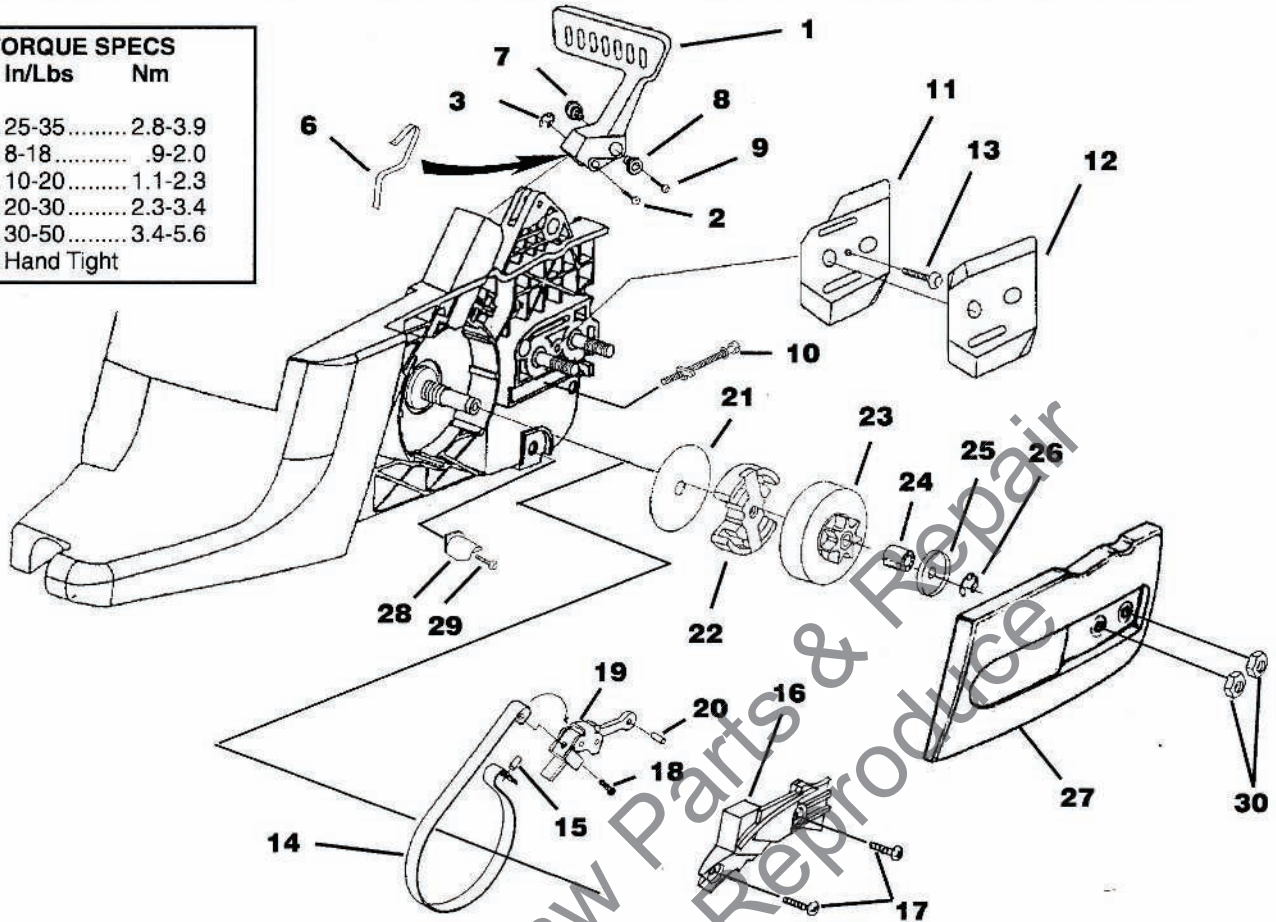
TORQUE SPECS		
ITEM NO	In/Lbs	Nm
3	15-25	1.7-2.8
22	65-76	7.3-8.5

NO.	PART NO.	DESCRIPTION	QTY.
1	• A 08682	Cylinder Cover Kit	1
2	07566	Safety Decal	1
3	07597	Screw-Slotted Pan Hd.	3
4	07379	Control Panel	1
5	64862	Grommet	1
6	07579	Rod, Choke	1
7	01183	Bulb, Air Purge	1
8	A 07596	Throttle Cable	1
9	07920	Switch, Rocker	1
10	07587	Grommet - Split	2
11	• A 04917	Engine Housing	1
12	07403	Element, Filter (Bronze)	2
13	03134	Duck Bill Valve	2
14	06841	Oil Outlet Grommet	1
15	06848	Oil Intake Tube	1
16	07454-22	Rubber Tubing (5 1/2")	1
17	07454-34	Rubber Tubing (8 1/2")	1
18	49422	Fuel Filter	1
19	A 07590	Fuel Cap w/ Retainer	1
20	A 07591	Oil Cap w/ Retainer	1
	A 68593	Oil Filter (Not Shown)	1
21	07598	Speed Nut ("U-Type")	3
22	82527	Screw, Cap-Socket Hd. (10-24 x 2")	4
23	84008	Washer	4
24	07407	Pre Filter	1

Assembly
Ensembles
Bausätze
Compressi
Conjuntos

CLUTCH - CHAIN BRAKE - DRIVE CASE COVER

TORQUE SPECS		
ITEM NO	In/Lbs	Nm
9	25-35	2.8-3.9
13	8-18	.9-2.0
17	10-20	1.1-2.3
18	20-30	2.3-3.4
29	30-50	3.4-5.6
30	Hand Tight	

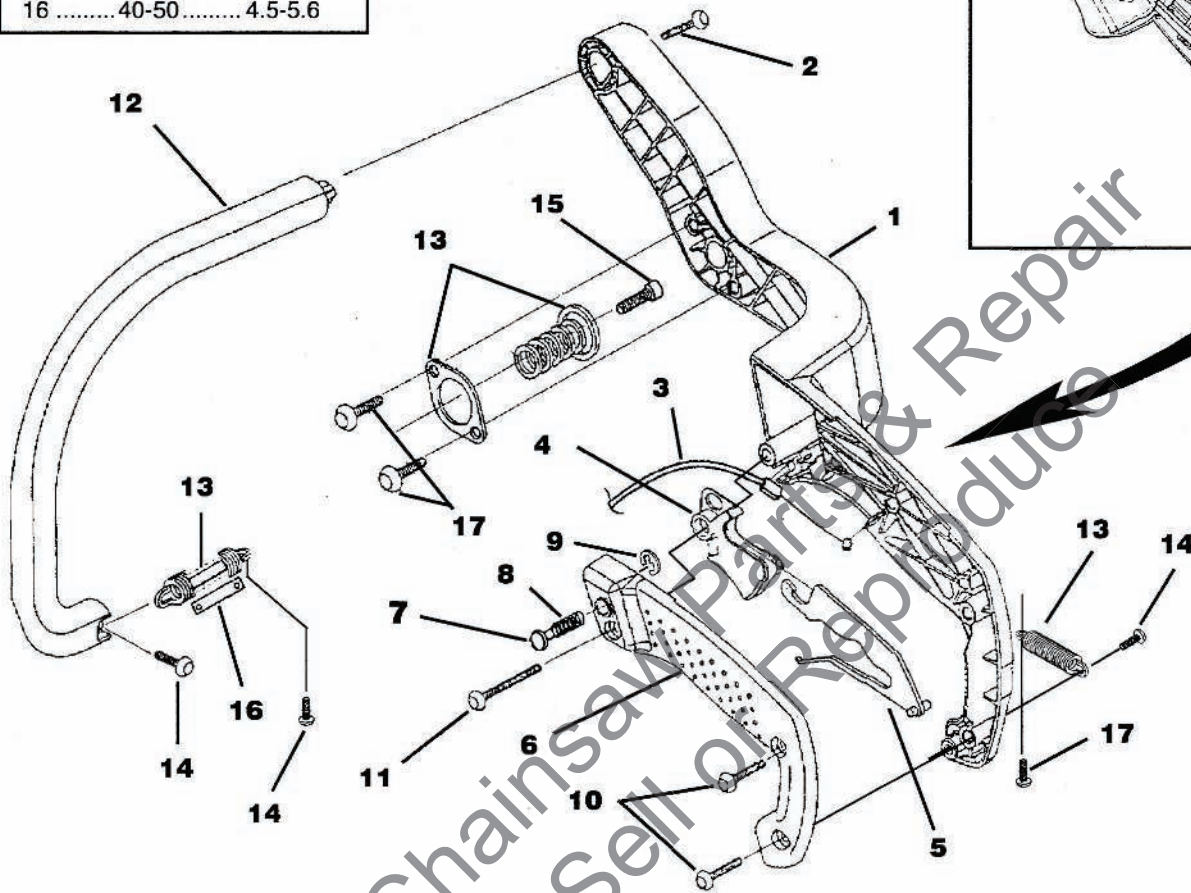
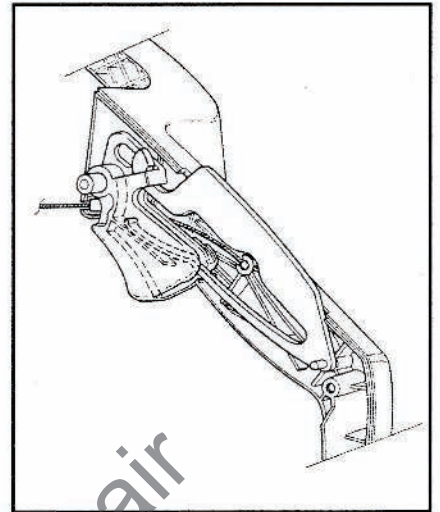


NO.	PART NO.	DESCRIPTION	QTY.
1	• A 08681	Hand Guard Kit	1
2	07580	Hand Guard Actuating Pin	1
3	69599	Retaining Ring	1
4	07406	Hand Guard Link (Non-chain brake units-not shown)	1
5	95395-A	Roll Pin (Non-chain brake units-not shown)	1
6	07613	Spring, Handguard	1
7	07393	Pivot, L.H.	1
8	07392	Pivot, R.H.	1
9	82624	Screw, Hex Socket Hd. (8-32 x 5/8")	1
10	• A 08678	Guide Bar Adjusting Kit	1
11	07404	Plate, Guide Bar	1
12	07405	Plate, Guide Bar	1
13	82513	Screw, Thread Form (6-19 x 1/2")	1
14	• A 08680	Chain Brake Kit	1
15	06672	Pin, Roll	1
16	06843	Cover, Chain Brake	1
17	82513	Screw, Pan Hd. (6-19 x 1/2")	2
18	82623	Screw, Pan Hd. (8-16 x .320)	1
19	A 07612	Chain Brake Link	1
20	95395 A	Pin, Roll	1
21	04940	Thrust Washer	1
22	A 07595	Clutch	1
23	• A 04924	Sprocket & Drum	1
	A 06867	Sprocket & Drum (For i3850b only)	
24	04927	Bearing, Needle	1
25	04939 A	Washer, Cupped	1
26	02236	Ring, Retaining	1
27	• A 08673	Drive Case Cover	1
28	95212	Stop, Chain	1
29	82563	Screw, Thread Form (10-14 x 3/4")	1
30	81196	Nut, Hex	2

Assembly
Ensembles
Bausätze
Compressi
Conjuntos

HANDLES

TORQUE SPECS		
ITEM NO	In/Lbs	Nm
2	40-50	4.5-5.6
10	30-40	3.4-4.5
11	30-40	3.4-4.5
15	30-40	3.4-4.5
16	40-50	4.5-5.6



NO.	PART NO.	DESCRIPTION	QTY.
	• A 08675	Rear Handle Kit	1
1	06870	Handle, Rear	1
2	82615	Screw-Pan Hd. (12-14 x 1 1/2")	1
3	A 07596	Throttle Cable	1
4	07382	Trigger, Throttle	1
5	07383	Throttle Lock Out	1
6	• A 08683	Handle Cover Kit	1
7	07388	Throttle Lock Pin	1
8	08898	Spring, Compression	1
9	58409	Ring, Retainer	1
10	82563	Screw, Thread Form (10-14 x 3/4")	2
11	82622	Screw, Thread Form (10-14 x 1 3/8")	1
12	• A 08695	Front Handle Kit	1
	82615	Screw-Pan Hd. (12-14 x 1 1/2") (See No. 2 above)	1
13	• A 08677	Isolator Kit	1
14	82621	Screw, Truss Hd. (10-14 x 5/8")	3
15	82597	Screw, Truss Hd. (10-24 x 5/8")	1
16	01812 A	Limiters, Isolator	1
17	82541	Screw, Thread Form (10-14 x 1/2")	3

Assembly
Ensembles
Bausätze
Compressi
Conjuntos

**ACCESSORIES
ACCESSOIRES
ZUBEHÖR
ACCESSORI
ACCESORIOS**

Guide Bar (Power Tip)
Lame guide, (Extrémité Motrice)
Führungsstange, (Antriebsspitze)
Lama, (Punta de potencia)
Barra guía, (Punta de potencia)

12" PT12371-OD (3/8")
14" PT14371-OD (3/8")
16" PT16371-OD (3/8")
18" PT18371-OD (3/8")

Chain
Chaîne
Kette
Catena
Cadena

H1-N7245-AH (3/8")
H1-N7252-AH (3/8")
H1-N7256-AH (3/8")
H1-N7262-AH (3/8")

i3850b

13" A-08734 (.325)
15" A-08735 (.325)
16" A-07603 (.325)
18" A-07604 (.325)

D1 L7256-A4 (.325)
D1 L7264-A4 (.325)
D1-L7266-A4 (.325)
D1-L7272-A4 (.325)

Sealant Silicon 24823
Matériau d'étanchéité au silicone
Silicon-Dichtungsmasse
SilasticSigillo al silicone
Sellador de silicio

Compression Tester 94194
Appareil d'essai de compression
Verdichtungs-Prüfgerät
Tester a compressione
Medidor de compresion

Rubber tubing (10') 07454-99
Tubes en caoutchouc (3,05 m)
Gummirohr (3,05 m)
Dotto di gomma (3,05 m)
Tubo de caucho (3,05 m)

Tester, Spark Plug JA31316-4
Appareil de controle (Bougie)
Prüfgerät (Zündkerze)
Tester (candela)
Probador de bujia

Wrench - Combination A-24824
Clé combiné
Schraubenschlüssel Kombination
Chiave combinata
Llave combinada

Sta-Bil (Fuel Stabilizer) JA54715-6
Sta-Bil
Sta-Bil
Sta-Bil
Sta-Bil

Digital Tachometer 18416
Compte-tours numérique
Digital-Drehzahmessner
Tachometro digitale
Tacometro digital

Bit, Torx T25 24982-01
Mèche Torx avec tige de T25
Bohrstückhalter T25
Punta torx T25
Broca torx con vastago de T25

Grease, Multi-purpose 18453
Graisse universelle
Mehrzweck-Schmiermittel
Grasso, Multiuso
Grasa de uso general

Bit, Torx T27 18566-01
Mèche Torx avec tige de T27
Bohrstückhalter T27
Punta torx T27
Broca torx con vastago de T27

HEADQUARTERS

Homelite, Inc.
P.O. BOX 7047
CHARLOTTE, N.C. 28241

OVERSEAS OFFICES

EUROPE, AFRICA & MIDDLE-EAST

Homelite Netherlands B.V.
A Deere & Company Affiliate
Haverstraat 24
2153 GB Nieuw Vennep
The Netherlands

FRANCE

Homelite Atlantic SARL
Groupe Deere & Co.
BP 7011
95050 Cergy Pointoise Cedex
France

AUSTRALIA

Homelite Pacific Ltd.
A Deere & Company Affiliate
ACN 008 603 538
94 Rushdale Street
P. O. Box 555 MDA
Knoxfield Vic 3180
Australia

CANADIAN OFFICES

**Homelite Canada Limited
Homelite Canada Limitée**

A Deere & Company Affiliate /
Une Filiale de Deere & Company
1850-55e/1h Avenue
Lachine, Québec, Canada H8T 3J5
1-800-363-5715

UNIT 212-214, 590 Ebury Place
New Westminster, B.C. V3M 6K7
1-800-867-3128

20-D Voyager Court South
Etobicoke, Ontario M9W 5M7
1-800-465-2249

0699

Homelite inc.
A Subsidiary of Deere & Company