

**HOMELITE®**

**PARTS LIST**

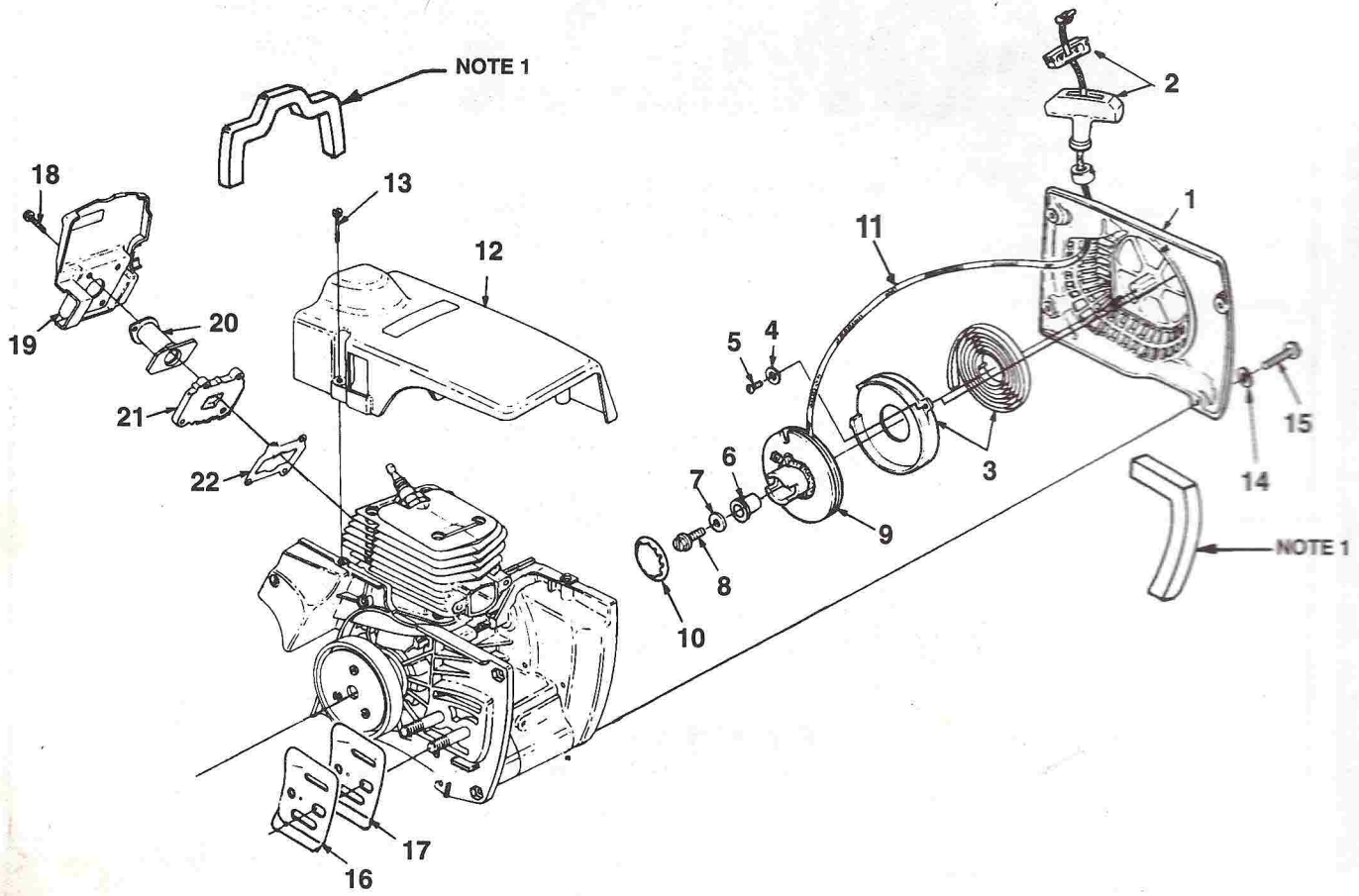
**8800**  
**CHAIN SAW**

**UT10731**

**PART NO. 19018**  
Printed in U.S.A.

# 8800

FIGURE 1

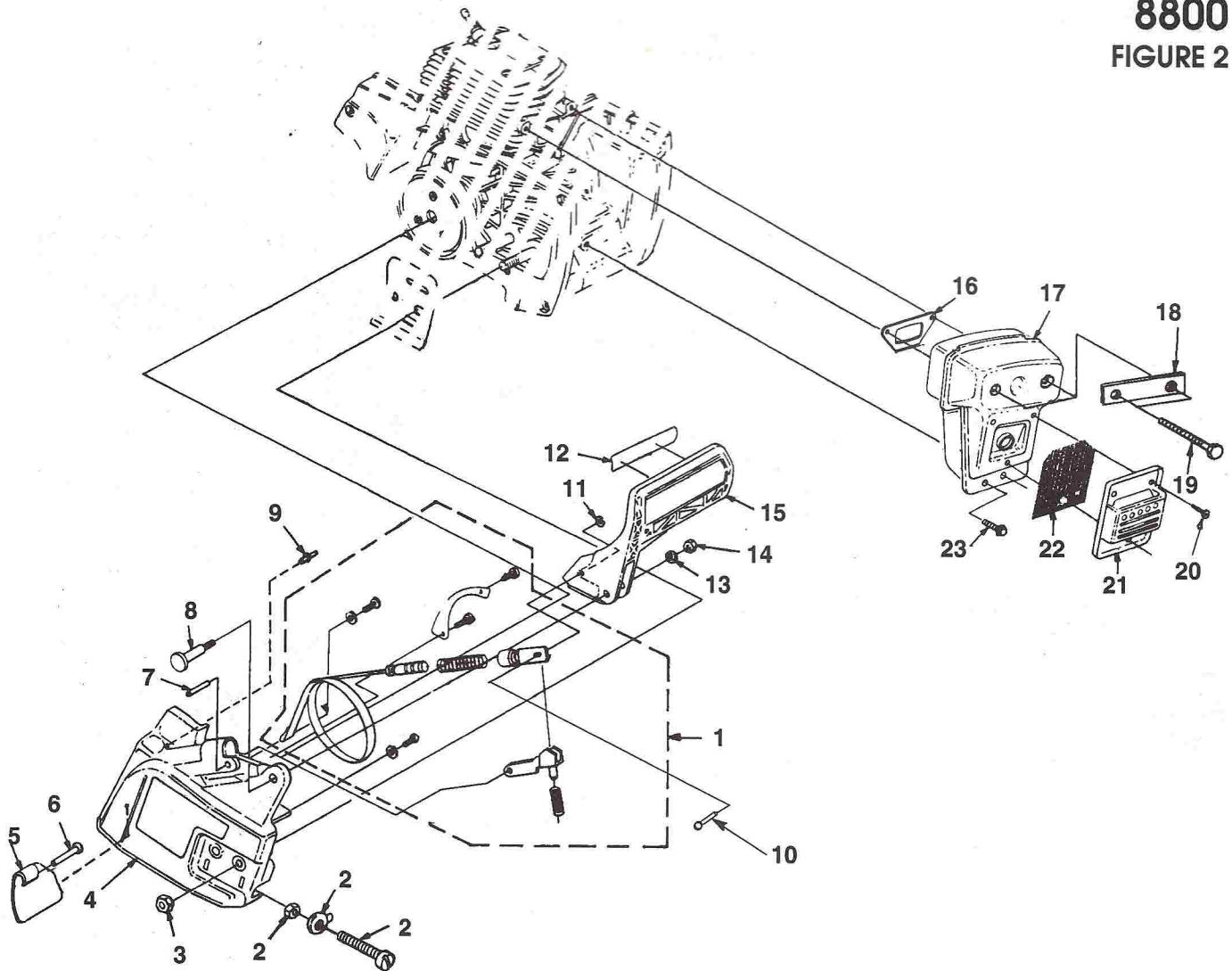


## PARTS LIST-FIGURE 1

NO.	PART NO.	DESCRIPTION	QTY.
1	•A-02128	STARTER-Complete	1
2	A-69962-B	GRIP-Starter w/Insert	1
3	A-98067	SPRING & RETAINER	1
4	84025	WASHER-Flat (#8)	2
5	82528	SCREW-Thread Form. (6 X 3/8")	2
6	97992-A	BUSHING-Starter Post	1
7	58763	WASHER-Retaining (23/32 OD), (.213 ID)	1
8	82409	SCREW-Thread Form. (#10-14 X5/8")	1
9	•A-97990-C	PULLEY & ROPE	1
10	02505	SPRING-Grip	1
11	A-00518	ROPE-Starter	1
12	•A-02121	COVER-Cylinder	1
13	93397-A	SCREW-Cylinder Cover	3
14	84003	WASHER-Flat (#10)	4
15	82562	SCREW-Pan Hd. (10-24 X 5/8")	4
16	70400	PLATE-Guide Bar	1
17	70399	PLATE- Guide Bar (Inner)	1
18	82248	SCREW-Mach. Hex Hd. (8-32 X 3/4")	4
19	97338-1A	BAFFLE-Cylinder	1
20	97263-B	BOOT-Intake	1
21	02822	ADAPTOR-Intake	1
22	04635	GASKET-Intake	1

•ASSEMBLIES

NOTE 1: A-03611-A FOAM KIT



PARTS LIST-FIGURE 2

NO.	PART NO.	DESCRIPTION	QTY.
1	• A-04888	BRAKE BAND ASSY.	1
2	• A-04889	GUIDE BAR ADJUSTER	1
3	81089-2	NUT-Hex (10-24)	2
4	A-98727-A	COVER-Drive Case	1
5	04634	SAWDUST SHIELD	1
6	85154	RIVET-Pan Hd. (.187 X .381)	1
7	98456	PIN (5M X 16MM)	1
8	98461	SCREW-Shoulder (M5)	1
9	97331	PIN-Shoulder Dowel	1
10	98422-A	PIN (.156 dia.)	1
11	01820	RING-Snap	1
12	02661	DECAL-Handguard	1
13	83203	WASHER-Belleville (12MM)	1
14	98457	NUT (5MM)	1
15	98740	HANDGUARD	1
16	97682-B	GASKET-Muffler	1
17	A-04429	MUFFLER	1
18	04431-A	PLATE-Retaining	1
19	82592	SCREW-Hex Cap (1/4-20 X 3 1/4")	2
20	80983	SCREW-Machine Hex Hd. (8-32 X 1/2")	3
21	A-98747	CAP-Muffler	1
22	98827	SCREEN-Spark Arrestor	1
23	82555-1	SCREW-Truss Hd. (10-24 X 3/4")	2

•ASSEMBLIES

