

PARTS LIST

HOMELITE

CHAIN SAW



Model 7-29

RECOIL STARTER

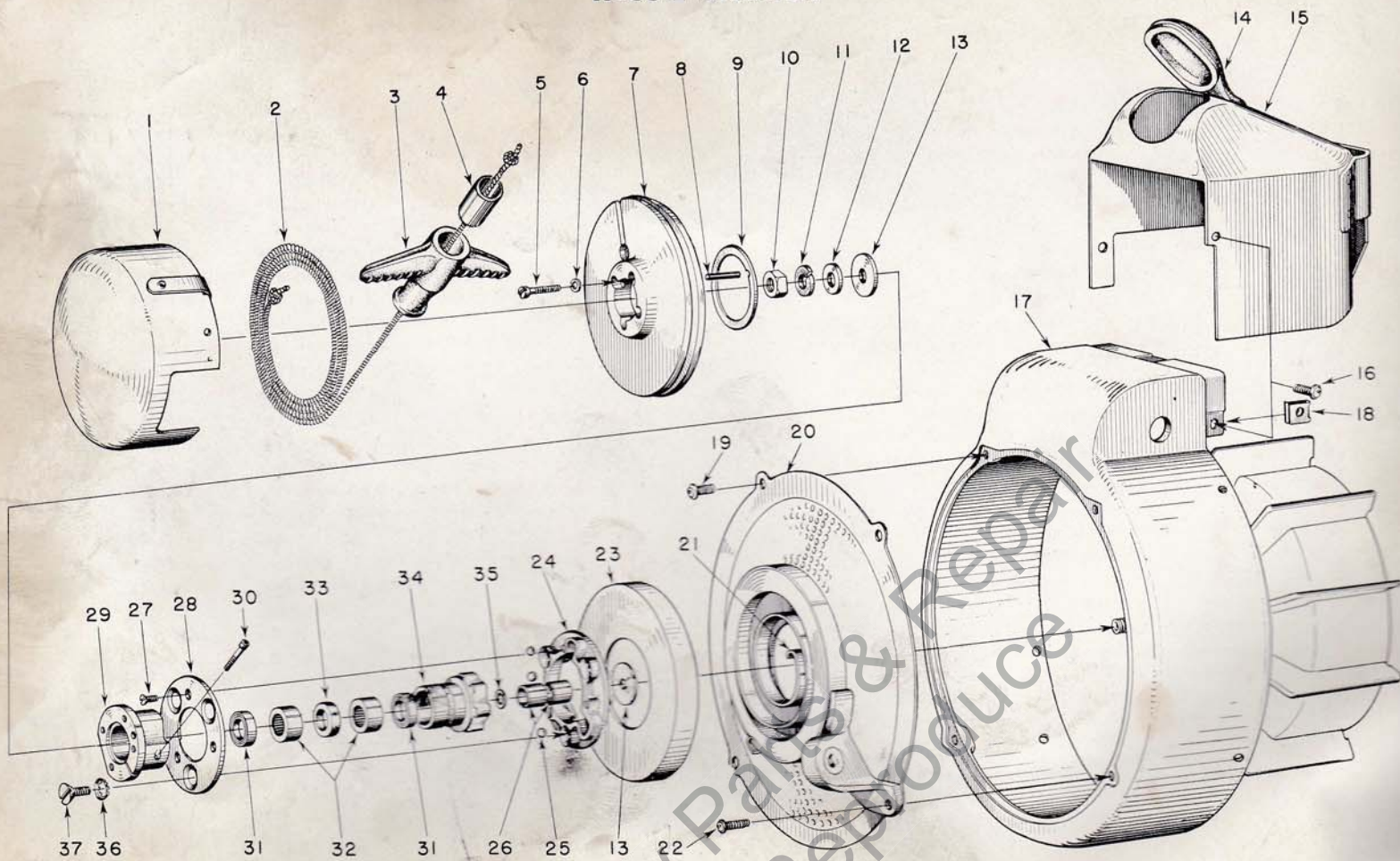


FIGURE 1

HOMELITE CHAIN SAW MODEL 7-29

PARTS LIST FOR FIGURE 1

Index No.	Part No.	Nomenclature	No. Required	Index No.	Part No.	Nomenclature	No. Required
1	AA-73234-5	COVER—starting pulley	1	22	80572	SCREW—10-32 x 5/8 pan hd. (through bracket)	1
	74846	DECAL		23	71603	COVER—spring housing	1
2	55898	ROPE—starting	1		AA-72308-1	BALL DRIVE	1
3	71149-B	GRIP—starting cable	1			Includes	
4	55369-A	PIN—starting grip lock	1	24	71563-C	PLATE—ball drive	1
5	80475	SCREW—6-32 x 3/4 fl. hd.	4	25	30355-1	BALL—steel	3
6	83004	WASHER—#6 lock	4	26	74221	RACE—inner	2
7	A-55658	PULLEY—starting (includes pin, index No. 8)	1	27	80464	SCREW—5-40 x 5/16 flat hd.	3
8	71577	PIN—dowel	1		AA-72307-1	RATCHET and HUB	1
9	71588	SHIM—plastic	as req.			Includes	
10	81110	NUT—7/16-20 hex. jam	1	28	71570-B	RETAINER—ball	1
11	83019	WASHER—7/16 lock	1	29	AA-72586	HUB—ratchet	1
12	84055	WASHER—7/16 flat alum.	1			Includes	
13	71598-A	WASHER—thrust	2	30	72295-A	SCREW—Allen	1
14	72138	CAP—spark plug	1		AA-72306-1	RATCHET and BEARING	1
15	AA-73403	SHIELD—cylinder	1			Includes	
16	80577	SCREW—8-32 x 3/8 pan hd.	2	31	71597	SEAL—garlock	2
17	A-74474	SHROUD—air	1	32	71596	BEARING—needle	2
		Includes		33	71595	WICK—felt	1
18	81094-1	NUT—speed	2	34	AA-73549	RATCHET	1
	74475	GROMMET (not shown)	1			Includes	
19	80578	SCREW—10-32 x 7/16 pan hd.	3	35	73525	WASHER—formica	1
20	A-74362	SCREEN—air	1	36	83074	WASHER—1/4 lock, countersunk	3
21	71470-A	SPRING—recoil	1	37	80173	SCREW—1/4-20 x 5/8 flat hd.	3

IGNITION

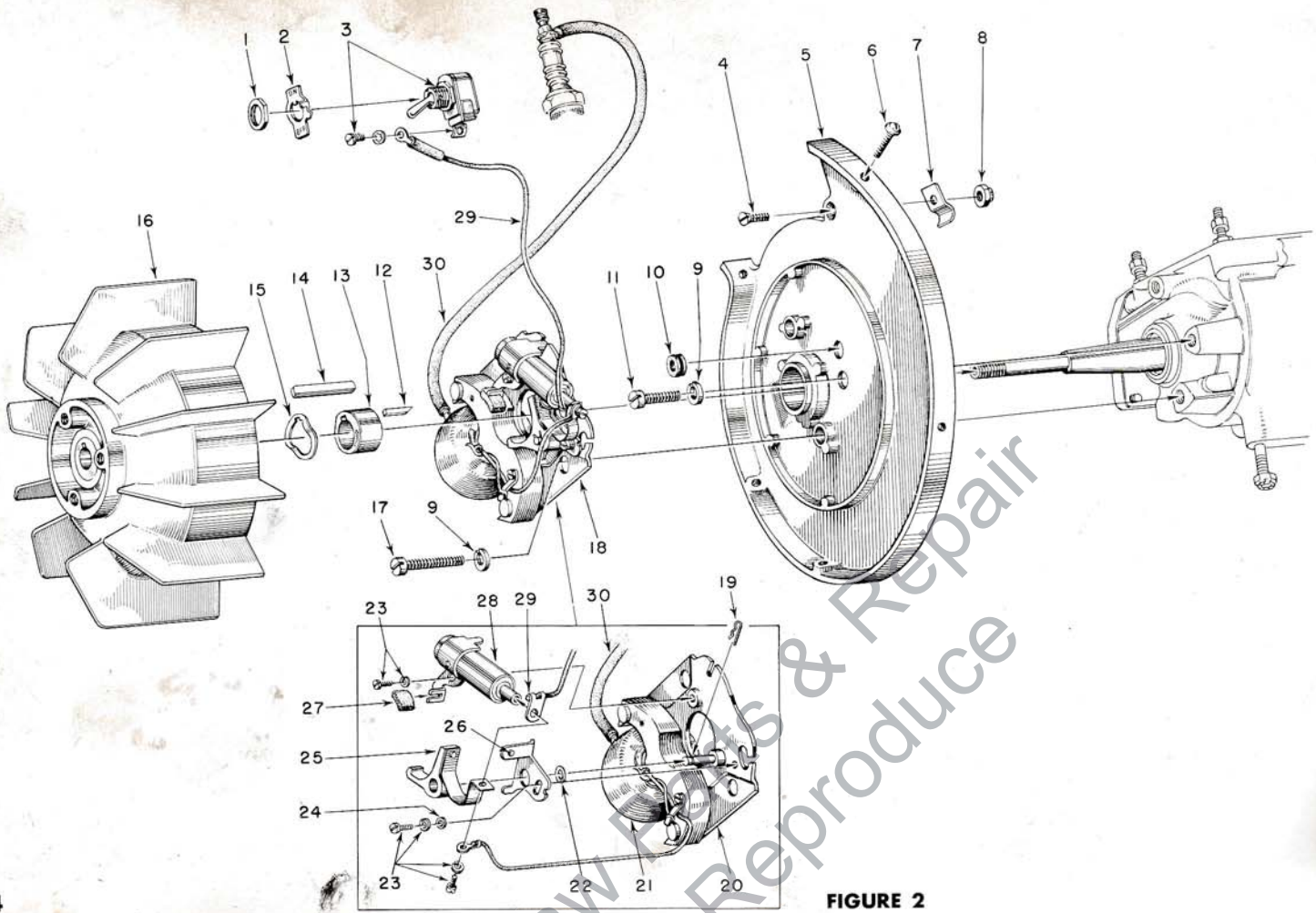


FIGURE 2

HOMELITE CHAIN SAW MODEL 7-29

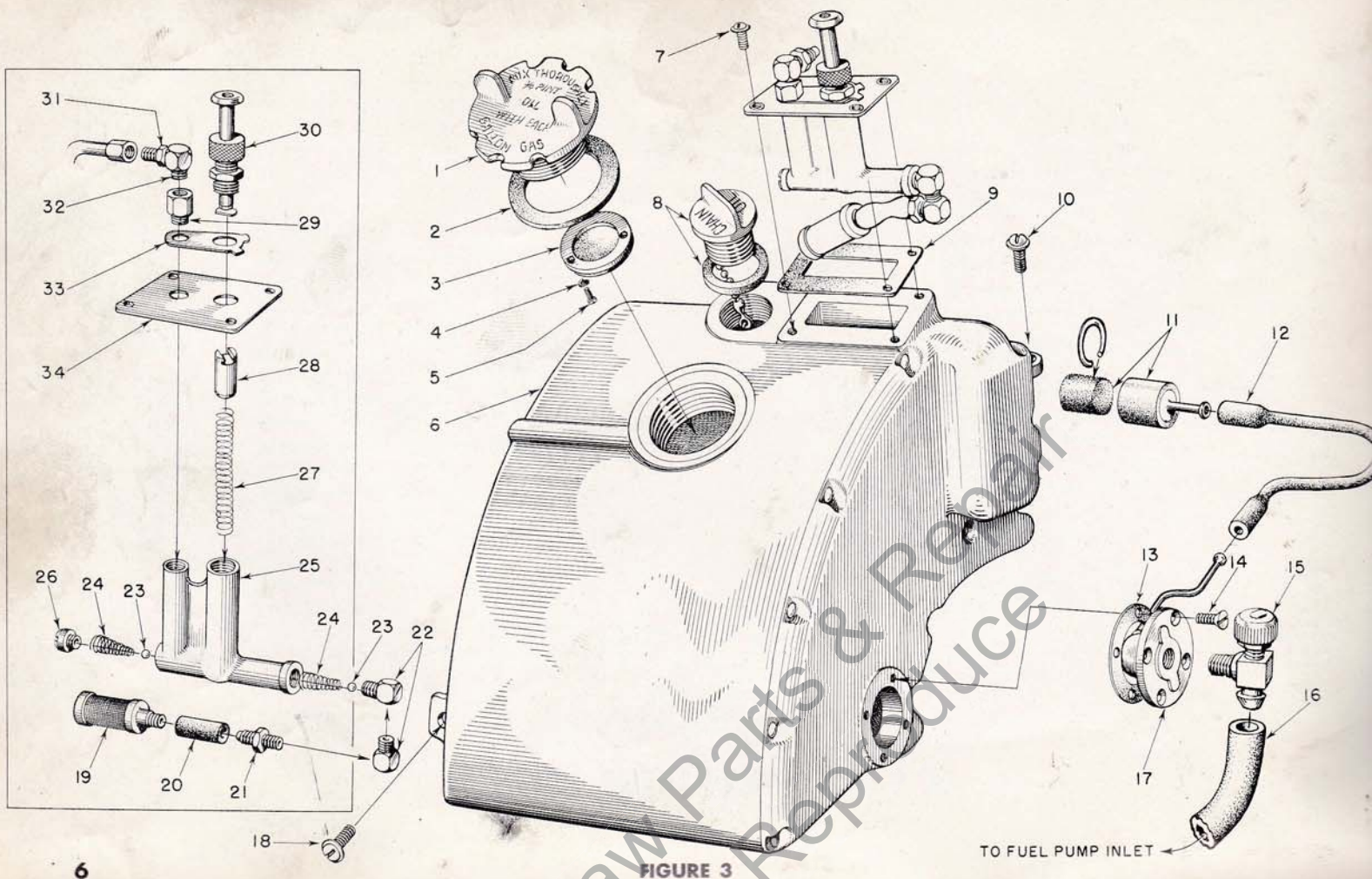
PARTS LIST FOR FIGURE 2

Index No.	Part No.	Nomenclature	No. Required
	AA-72094-A	SWITCH—"on-off"	1
		Composed of	
1	72084-A1	NUT	1
2	55879	PLATE—"on-off"	1
3	*	SWITCH (with ground screw)	1
4	80031	SCREW—10-32 x 1/2 flat head	1
5	71989-A	PLATE—back	1
6	80578	SCREW—10-32 x 7/16 pan head	3
7	72133	CLAMP	1
8	81109	NUT—10-32 flex. lock	1
9	83009	WASHER—1/4 lock	3
10	71488	GROMMET	1
11	80055	SCREW—1/4-20 x 3/4 fl. hd.	1
12	71349	KEY—cam	1
13	72126	CAM	1
14	19797	KEY—rotor	1
15	60407	WASHER—spring	1
16	72129	ROTOR	1

Index No.	Part No.	Nomenclature	No. Required
17	80161	SCREW—1/4-20 x 1 1/8 fl. hd.	2
18	AA-72394	STATOR—magneto (see inset)	1
		Composed of	
19	28008	LOCK—spring	1
20	72395	GROUP—stator	1
21	72397	COIL—magneto	1
22	28028	WASHER—breaker arm	as req
23	72486	SCREW—(w/washer)	3
24	72484	WASHER—contact plate	1
	72398	POINTS—(set)	1
		Composed of	
25	*	BREAKER ARM	1
26	*	PLATE—contact	1
27	30267	WICK—felt	1
28	72396	CONDENSOR	1
29	AA-72399	LEAD—ground	1
30	AA-72400	LEAD—high tension	1

* Not sold separately

FUEL TANK



HOMELITE CHAIN SAW MODEL 7-29

PARTS LIST FOR FIGURE 3

Index No.	Part No.	Nomenclature	No. Required
1	A-55305	FUEL CAP	1
		Composed of	
2	72173	GASKET—fuel cap	1
3	A-55301-A	VALVE—relief	1
4	83083	WASHER—#3 lock	3
5	80592	SCREW—3-48 x 1/4	3
6	A-74498	FUEL TANK	1
	74845	DECAL	1
7	80571	SCREW—6-32 x 3/8 pan hd.	4
8	AA-71655-1	OIL CAP	1
		Includes	
	72280	GASKET	1
9	71551	GASKET—lubricator cover	1
10	80583	SCREW—10-32 x 3/4 pan hd.	1
11	A-74375	STRAINER—outlet	1
		Includes	
	74374	FILTER—felt	1
	74380	SNAP RING	1
12	55805	SLEEVE—flexible	1
13	72174	GASKET—outlet fitting	1
14	80451	SCREW—6-32 x 3/8 flat hd.	4

Index No.	Part No.	Nomenclature	No. Required
15	55738	VALVE—shut-off	1
16	74919	FUEL LINE—(to fuel pump inlet)	1
17	A-74704	FITTING—outlet (w/tube)	1
18	80572	SCREW—10-32 x 5/8 pan hd.	2
	AA-72177-1	OIL PUMP—(see inset at left)	1
		Composed of	
19	AA-72178	TUBE and SCREEN	1
20	73693	SLEEVE—rubber	1
21	31733-1	ADAPTER—straight	1
22	31734	CONNECTOR—90° elbow	2
23	25527-1	BALL—check	2
24	71760	SPRING—check valve	2
25	71761	BODY—pump	1
26	71759	SCREW—plug	1
27	71762	SPRING—plunger	1
28	71763	TUBE—plunger	1
29	71765	ADAPTER—connector	1
30	71764	BUTTON—plunger	1
31	31733-1	ADAPTER—straight (to oil line)	1
32	31734	CONNECTOR—90° elbow	1
33	72681	PLATE—pump locking	1
34	71550	COVER—lubricator body	1

PISTOL GRIP

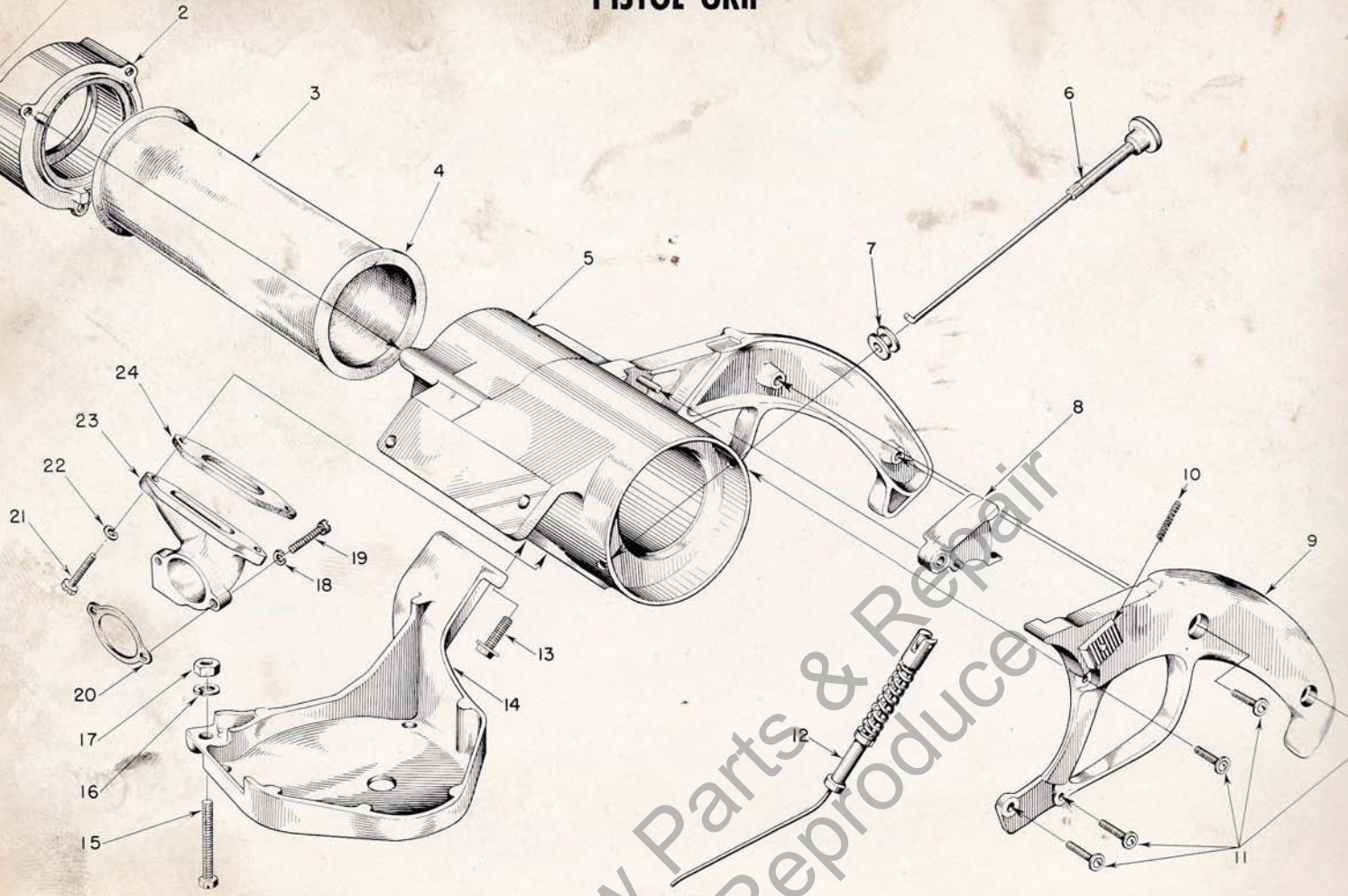


FIGURE 4

HOMELITE CHAIN SAW MODEL 7-29

PARTS LIST FOR FIGURE 4

Index No.	Part No.	Nomenclature	No. Required
1	80633	SCREW—8-32 x 2 spinlock	3
2	A-74491	COVER—air filter (includes gasket)	1
	74492	GASKET—air filter cover	1
3	A-74490	FILTER—air	1
		Includes	
		GASKET—air filter	2
4	72967	GRIP—pistol	1
5	AA-73410	ROD—choke	1
6	AA-73392	GROMMET	1
7	S-1007-1	TRIGGER—throttle	1
8	AA-73055	COVER—pistol grip	1
9	AA-73056	Includes	
		LOCK—throttle	1
		Includes	
	72970	SPRING—throttle lock	1
	*	LOCK	1

Index No.	Part No.	Nomenclature	No. Required
	*	BUTTON—throttle lock	1
11	80560	SCREW—8-32 x 1/2	5
12	A-73804	SHAFT—throttle	1
13	80581	SCREW—1/4-20 x 5/8 hex. hd.	2
14	72859	GUARD—carburetor	1
15	80180-1	BOLT—1/4-20 x 1 1/2 hex. hd.	1
16	83009	WASHER—1/4 lock	1
17	81013	NUT—1/4-20 hex.	1
18	83000	WASHER—#8 lock	2
19	80023	SCREW—8-32 x 5/8 fl. hd.	2
20	72971	GASKET—carburetor intake	1
21	80566	SCREW—10-32 x 7/8 hex. hd.	2
22	83046	WASHER—#10 lock	2
23	72856-1	ELBOW—air cleaner	1
24	72995	GASKET—air elbow	1

* Not sold separately

TILLOTSON CARBURETOR PARTS

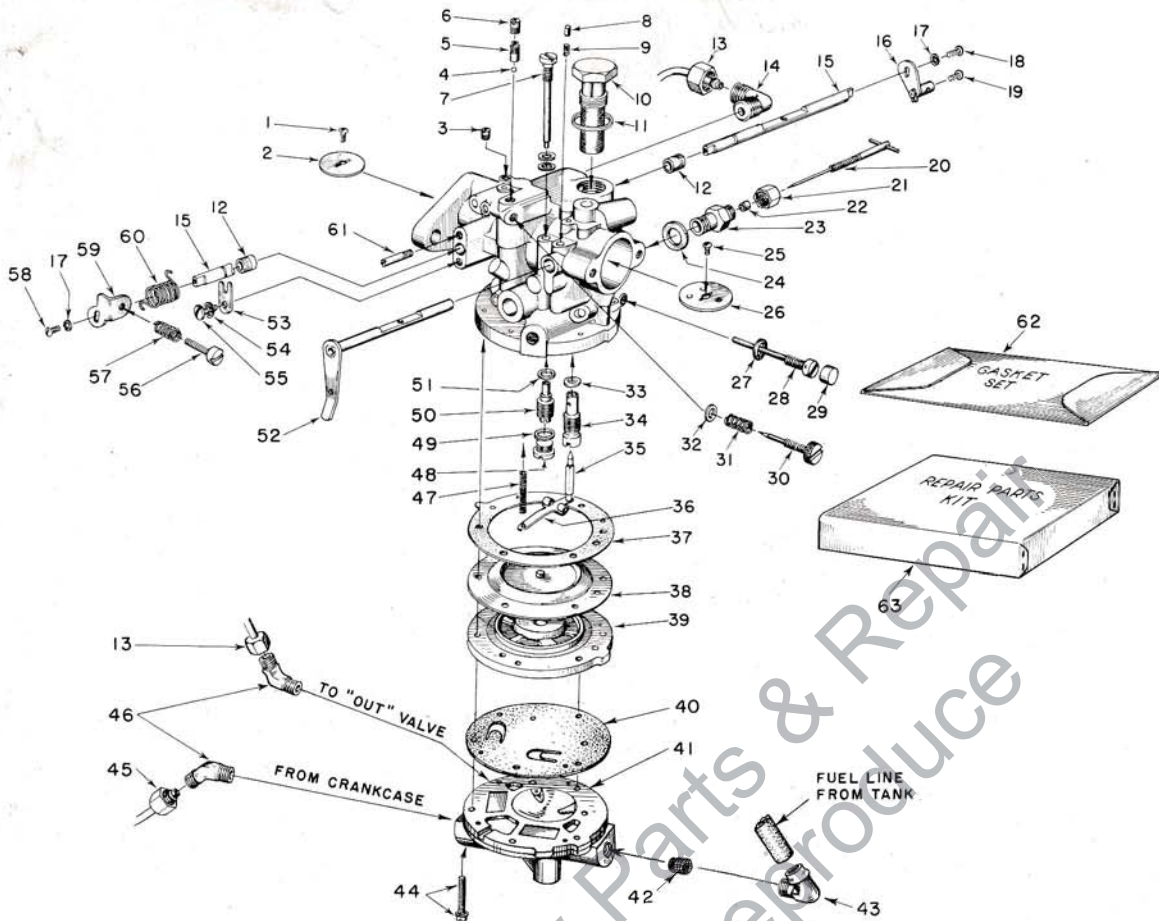


FIGURE 5

10

HOMELITE CHAIN SAW MODEL 7-29

PARTS LIST FOR FIGURE 5

Index No.	Part No.	Nomenclature	No. Required	Index No.	Part No.	Nomenclature	No. Required
	A-74576	CARBURETOR (Till. Model HP 19B)	1	32	†28130	WASHER—flat	1
		Composed of			†73078	NEEDLE and SEAT	1
1	†71519	SCREW—throttle	1		55344	Composed of	1
2	73272	SHUTTER—throttle	1	33	*	GASKET	1
3	73067	SCREW—plug	1	34	*	SEAT	1
4	†60051	BALL—check	1	35	*	NEEDLE	1
5	†73424	SEAT—idle check valve	1	36	†73079	LEVER—inlet control	1
6	71516	SCREW—plug	2	37	73071	GASKET—main diaphragm	1
7	†AA-73615	SCREW—(includes copper washers)	1	38	†73070	DIAPHRAGM—main	1
	73616	WASHER—(included with index No. 7)	2	39	74864-1	COVER—diaphragm	1
8	71494	PIN—choke friction	1	40	†74865	DIAPHRAGM—fuel pump	1
9	73264	SPRING—choke friction	1		74962	GASKET—fuel pump (not shown)	1
10	73077	SCREEN—inlet connection	1	41	74863-1	BODY—fuel pump	1
11	73266	GASKET—inlet	1	42	†74867	SCREEN—fuel inlet	1
12	72812	BUSHING	2	43	74917	ELBOW—fuel inlet connection	1
13	A-73763-A	SUPPLY LINE—(pump to carb. inlet)	1	44	†55316	SCREW—long, with washer	6
14	S-740	ELBOW	1	45	A-73765-A	** LINE—activator (from crankcase)	1
15	73831	SHAFT—throttle	1	46	73865	ELBOW—45°	2
16	†73832	LEVER—throttle shaft	1	47	†73082	SPRING—inlet control	1
17	†83008	WASHER—lock	2	48	†73085	SCREW	1
18	†71521	SCREW	1	49	73425	GASKET	1
19	†28048	SCREW—set	1	50	†73084	NOZZLE—main	1
	AA-73269	SCREW—main adjusting	1	51	74060	GASKET	1
		Composed of		52	73423	LEVER—choke	1
20	†73083	SCREW	1	53	73086	CLIP	1
21	28058	NUT	1	54	83000	WASHER—lock	1
22	15037	PACKING	1	55	73088	SCREW	1
23	28057	GLAND	1	56	†71509	SCREW—idle stop	1
24	28055	GASKET	1	57	†28064	SPRING—idle stop	1
25	28049	SCREW—choke shutter	1	58	†71521	SCREW—(same as index No. 18)	1
26	74718	SHUTTER—choke	1	59	71520	LEVER—throttle stop	1
27	73268	GASKET	1	60	†71518	SPRING—throttle retaining	1
28	†73080	SCREW	1	61	73427	PIN—throttle stop	1
29	73267	CAP	1	62	†77126	GASKET SET	1
30	†73074	SCREW	1	63	77125	KIT—repair parts	1
31	†73075	SPRING	1				

BROWN CARBURETOR PARTS

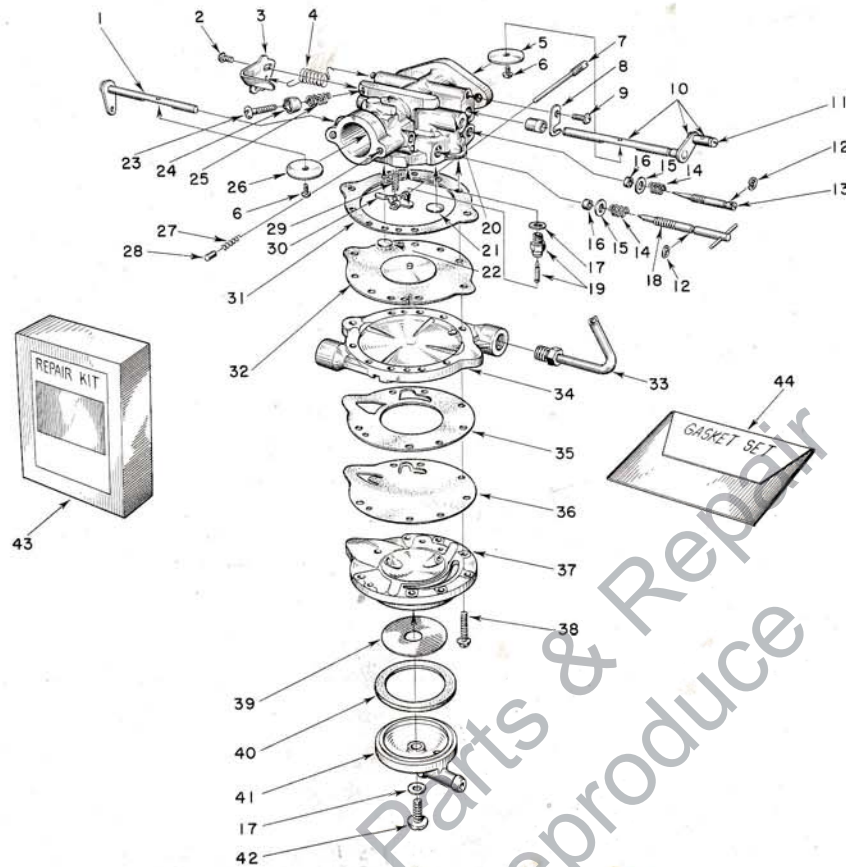


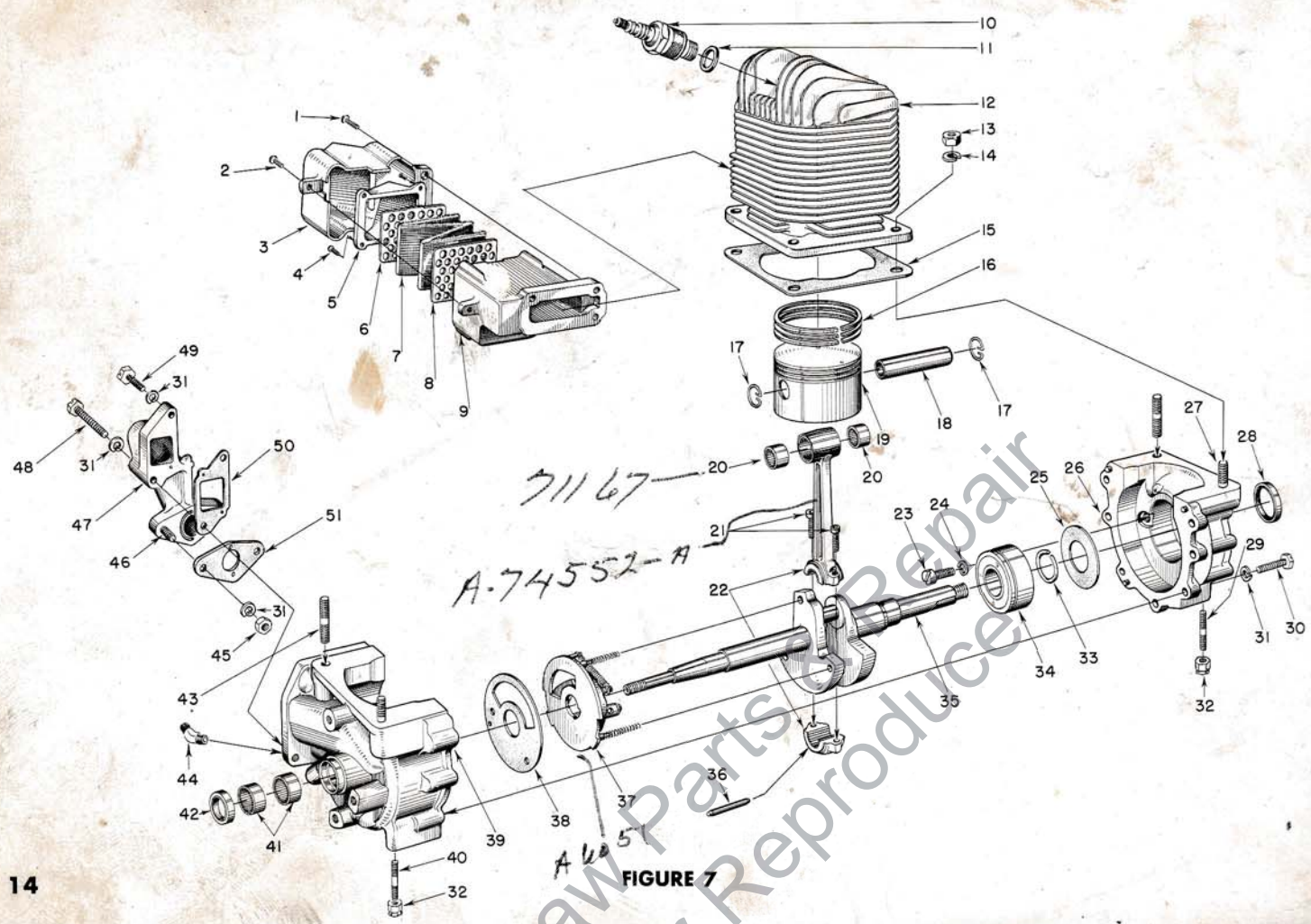
FIGURE 6

12

HOMELITE CHAIN SAW MODEL 7-29

PARTS LIST FOR FIGURE 6

Index No.	Part No.	Nomenclature	No. Required	Index No.	Part No.	Nomenclature	No. Required
	A-74866	CARBURETOR (Brown Model 1-CS).....	1			Includes	
		Composed of		21	‡74977	PLUG — Welch	1
1	A-74992	SHAFT & LEVER — choke.....	1	22	‡74978	PLUG — Welch	1
2	‡77042	SCREW — stop lever, 4-40x¼ truss hd.	1	23	77040	SCREW — idle stop, 6-32x¾ rd. hd.	1
3	74989	LEVER — throttle stop	1	24	77011	CUP — idle stop screw	1
4	‡74990	SPRING — throttle return	1	25	77010	SPRING — idle stop screw	1
5	74980	SHUTTER — throttle	1	26	74991	SHUTTER — choke	1
6	77044	SCREW — shutter	2	27	77017	SPRING — choke friction	1
7	‡A-77012	PIN — inlet control lever.....	1	28	77018	PIN — choke friction	1
8	‡74981	CLIP — throttle shaft	1	29	‡77015	SPRING — tension	1
9	‡77041	SCREW — 6-32x¼ pan hd.	1	30	‡77016	LEVER — inlet control	1
10	A-74983	SHAFT & LEVER — throttle	1	31	‡77030	GASKET — main diaphragm	1
		Includes		32	‡A-77019	DIAPHRAGM — main	1
11	77045	SCREW — swivel, 6-32x¼ rd. hd.	1	33	A-77037	LINE — activator (not part of A-74866 Carburetor)	1
12	‡77004	CLIP — spring retaining	2	34	77024	COVER — main diaphragm	1
13	‡77009	SCREW — idle adjustment (includes 77004 clip)	1	35	‡77025	GASKET — pump body	1
14	‡77005	SPRING — adjustment screw	2	36	‡77026	DIAPHRAGM — pump	1
15	‡77006	WASHER — flat	2	37	77027	BODY — fuel pump	1
16	‡77007	RING — square	2	38	77046	SCREW — body, 6-32x¾ pan hd.	6
17	‡74997	GASKET — fibre	2	39	‡77028	SCREEN — fuel inlet strainer	1
18	‡A-77001	SCREW — main adjustment (includes 77004 clip)	1	40	‡77029	GASKET — strainer	1
19	‡A-74996	NEEDLE & SEAT — inlet (includes 74997 gasket)	1	41	77031	COVER — fuel pump	1
20	A-77060	BODY — service	1	42	77043	SCREW — turret, 8-32x¾ truss hd.	1
				43	77033	KIT — repair parts (RK-150)	1
				44	‡77032	GASKET SET (GS-150)	1



14

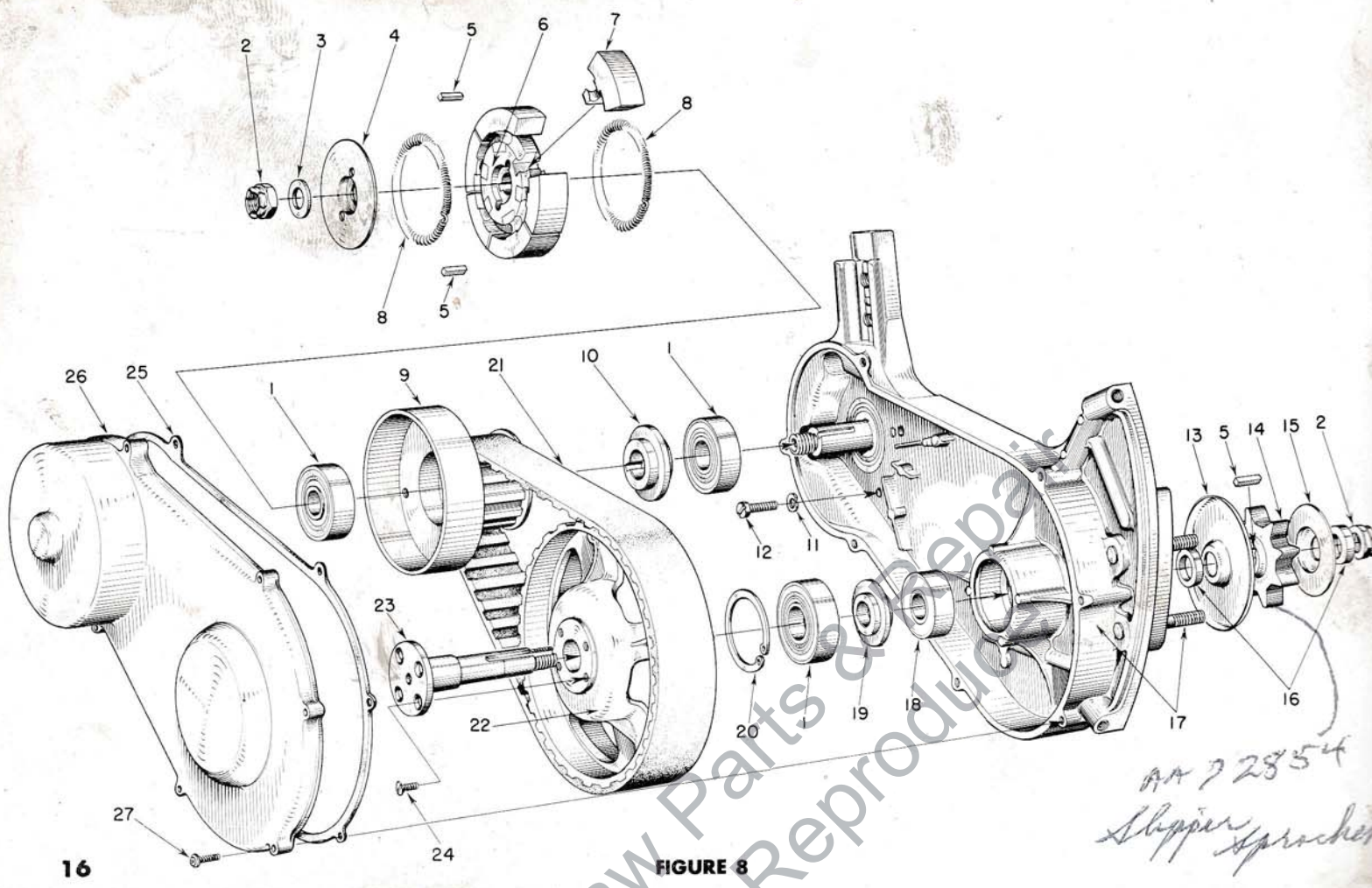
HOMELITE CHAIN SAW MODEL 7-29

PARTS LIST FOR FIGURE 7

Index No.	Part No.	Nomenclature	No. Required	Index No.	Part No.	Nomenclature	No. Required
1	80057	SCREW—1/4-20 x 7/8 pan hd.	3	27	72787	Composed of	
2	80579	SCREW—10-32 x 3/8 pan hd.	1	28	72413	STUD	2
3	73751	DAMPER—heat	1	29	55871	SEAL—garlock	1
	A-73757	MUFFLER	1		*	STUD	1
		Composed of			*	PIN—dowel	5
4	80571	SCREW—6-32 x 3/8 pan hd.	4	30	80181-1	CRANKSHAFT	1
5	73753	CAP—muffler	1	31	83009	ROLLERS (set)	1
6	73756	RETAINER (outer)	1	32	81114	Composed of	
7	73754	ELEMENT—muffler	1	33	50033	ROLLER—needle	31
8	73755	RETAINER (inner)	1	34	71164-A	GOVERNOR	1
9	*	MUFFLER (shell)	1	35	74129-A	CRANKCASE (front half)	1
10	72858	SPARK PLUG—Champion HO-3 (w/gasket)	1		AA-72206	Composed of	
11	25038	GASKET (included with spark plug)	1	36	72256	PLATE—intake valve	1
12	A-74472	CYLINDER	1	37	A-6049	CRANKCASE	1
13	25412	NUT—5/16-24 hex.	4		A-77127	STUD (same as index No. 29)	1
14	83042	WASHER—5/16 Lock	4	40	55871	BEARING—needle	2
15	74139	GASKET—cylinder	1	41	73557	SEAL—garlock	1
16	74626-1	RING—piston	3	42	71110	STUD (same as index No. 27)	2
	A-74705	PISTON	1	43	72787	PIN—dowel	2
		Composed of		44	73865	†ELBOW—activator line (illustrated)	1
17	25502	RING—snap	2		77034	‡ADAPTER—activator line (not shown)	1
18	*	PIN—piston	1	45	81013	NUT—1/4-20 hex	2
19	*	PISTON	1	46	27464	STUD	2
	A-74552	ROD—connecting	1	47	74386-A	MANIFOLD—intake	1
		Composed of		48	80447-1	SCREW—1/4-20 x 1 1/8 hex hd.	1
20	AA-26782	BEARING—set of 2	1	49	80218-1	SCREW—1/4-20 x 3/4 hex hd.	1
21	80492	SCREW—10-32 x 1/2 allen cap	2	50	72969	GASKET—intake manifold	1
22	*	ROD (includes cap)	1	51	73460-A	GASKET—carburetor flange	1
23	19238-A	SCREW—main bearing retaining	2				
24	83061	WASHER—lock (special thin)	2				
25	71106	GASKET—sealing	1				
26	A-74706	CRANKCASE—rear half	1				

* Not sold separately

DRIVE CASE



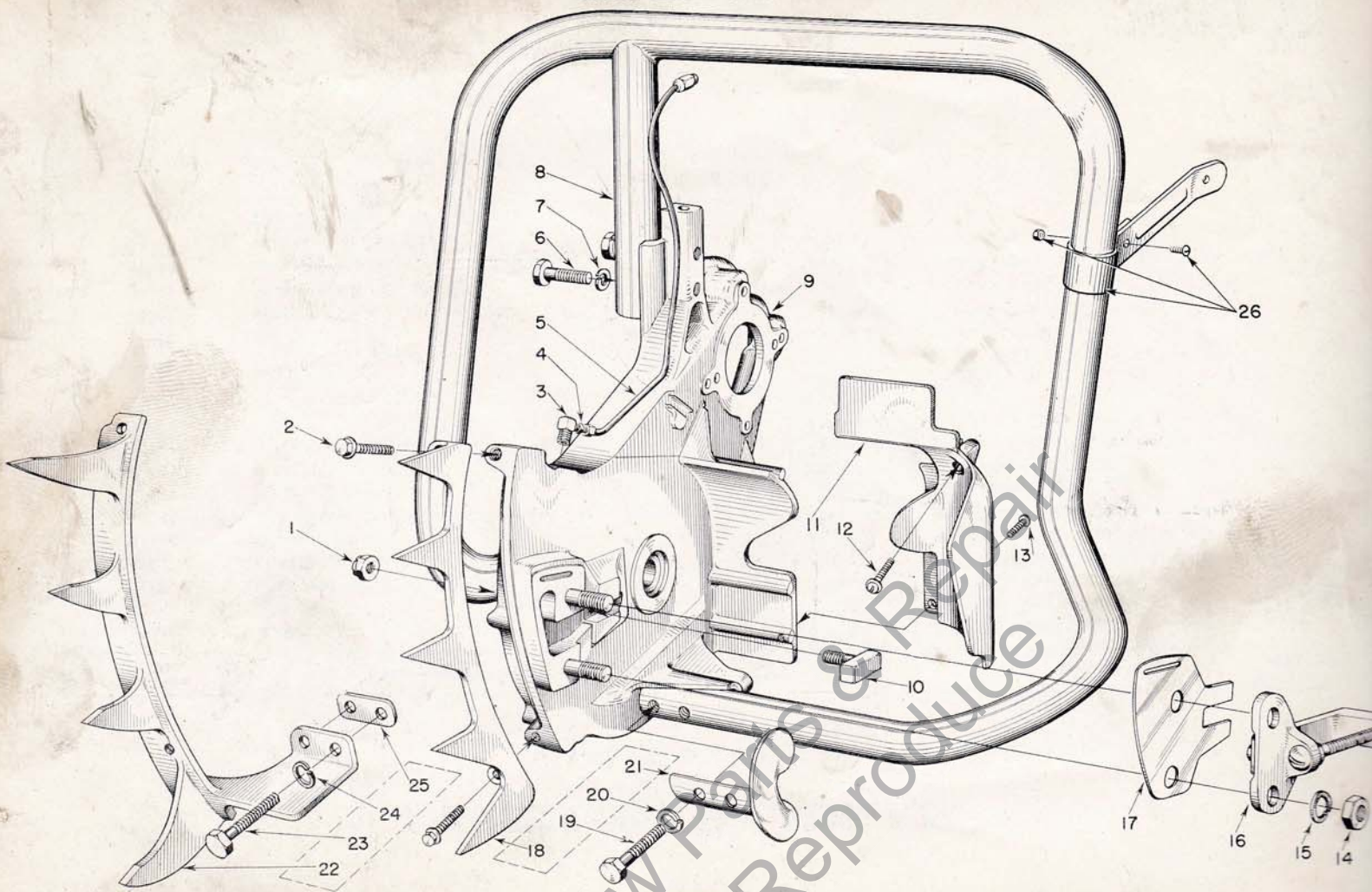
HOMELITE CHAIN SAW MODEL 7-29

PARTS LIST FOR FIGURE 8

Index No.	Part No.	Nomenclature	No. Required
1	72514	BEARING	3
2	81101	NUT	2
3	71193-B	WASHER—flat 1/2	1
4	73131	COVER—clutch	1
5	73215	KEY—3/16 sq. x 7/16	3
	AA-73213	CLUTCH	1
		Composed of	
6	73064	SPIDER	1
7	73063	SHOE	6
8	73214	SPRING	2
9	AA-73058	DRUM—clutch (includes sprocket)	1
10	73045	SPACER	1
11	83009	WASHER—1/4 lock	4
12	80218-1	SCREW—1/4-20 x 3/4 hex. hd.	4
13	73771	FLANGE—sprocket, inner	1
14	†73860	SPROCKET—3/16"-7 tooth	1
	††73252-1	SPROCKET—1/2"-8 tooth	1

Index No.	Part No.	Nomenclature	No. Required
	†††73927	SPROCKET—5/8"-6 tooth	1
15	73253	FLANGE—sprocket, outer	1
16	73254	SPACER—sprocket	2
17		DRIVE CASE (See Figure 9 for breakdown)....	1
18	72328	BEARING (small)	1
19	71819-A	SPACER—sprocket shaft bearing.....	1
20	31080	RING—retaining	1
21	73216	BELT—drive	1
22	73065	PULLEY—sprocket	1
23	71817-B	SHAFT—sprocket	1
24	80600	SCREW—10-32 x 1/2 flat hd.	4
	AA-73217	COVER—drive case	1
		Composed of	
25	72195-D	GASKET—drive case cover	1
26		COVER	1
27	80568	SCREW—8-32 x 7/8 pan hd.	7

* Not sold separately
 † For use with #4 chain
 †† For use with #10 chain
 ††† For use with #16 chain



18

FIGURE 9

HOMELITE CHAIN SAW MODEL 7-29

PARTS LIST FOR FIGURE 9

Index No.	Part No.	Nomenclature	No. Required
1	81102	NUT— $\frac{5}{16}$ -18	1
2	80573	SCREW— $\frac{1}{4}$ -20 x $\frac{13}{16}$ hex. hd.	2
3	31734	ELBOW—connector	1
4	31733-1	ADAPTER—straight	1
5	AA-72444	OIL LINE	1
6	80087	SCREW— $\frac{5}{16}$ -18 x $1\frac{1}{2}$ hex. hd.	2
7	83003	WASHER— $\frac{5}{16}$ lock	4
8	A-73893	HANDLE	1
9	A-74707	DRIVE CASE	1
		Includes	
	74582	STUD—guide bar (shown assembled)	2
10	74630	KEY—guide bar	1
11	73048	SHIELD—sawdust	1
12	80567	SCREW—8-32 x $\frac{3}{4}$	1
13	80560	SCREW—8-32 x $\frac{1}{2}$ pan hd.	1
14	81089	NUT— $\frac{3}{8}$ -16 hex. hd.	2
15	83018	WASHER— $\frac{3}{8}$ lock	2

Index No.	Part No.	Nomenclature	No. Required
16		DEVICE—chain tension	1
		Composed of	
	71946-A	BRACKET—tension adjusting	1
	AA-72407	PLATE—adjusting (w/screw)	1
17	72374	SHIM—guide bar	1
	**	PARTS GROUP (for short spike model 7-29)	
		Composed of	
18	73420	PLATE—spiked bumper, short	1
19	80087	SCREW (same as index No. 6)	2
20	83003	WASHER (same as index No. 7)	2
21	72223	GUARD—handle	1
	**	PARTS GROUP (for long spike model 7-29A)	1
		Composed of	
22	72739-A	PLATE—spiked bumper, long	1
23	80197	SCREW— $\frac{5}{16}$ -18 x 2 hex. hd.	2
24	83003	WASHER— $\frac{5}{16}$ (same as index No. 7)	2
25	73281	SPACER—handle	1
26	A-74201	BRACE—handle (w/screw and nut)	1

** Order individual pieces

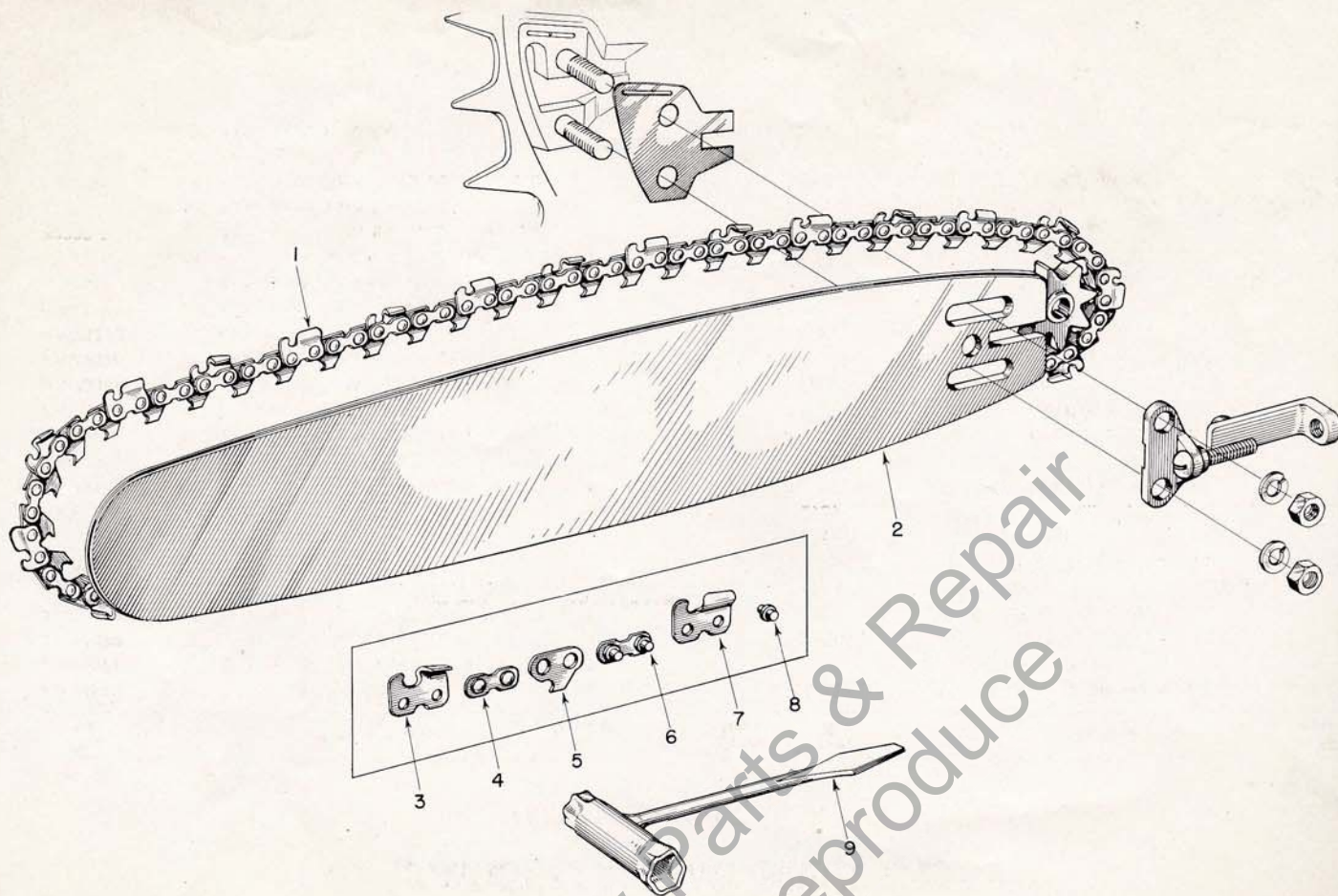


FIGURE 10

20

HOMELITE CHAIN SAW MODEL 7-29

PARTS LIST FOR FIGURE 10

Index No.	Part No.	Nomenclature	No. Required	Index No.	Part No.	Nomenclature	No. Required
1	AA-72977	18" CHAIN—#4, 1/16 pitch .063 (w/kit)	1		AA-72973	KIT—#4 chain repair (packaged with chain) 1	
	AA-72978	23" CHAIN—#4, 1/16 pitch .063 (w/kit)	1			Includes	
	AA-72979	28" CHAIN—#4, 1/16 pitch .063 (w/kit)	1	3	72597-2	CUTTER—left	1
	AA-72983	33" CHAIN—#4, 1/16 pitch .063 (w/kit)	1	4	72595	LINK—connecting (plain)	2
	AA-72981	38" CHAIN—#4, 1/16 pitch .063 (w/kit)	1	5	72974	LINK—drive	1
	AA-72982	42" CHAIN—#4, 1/16 pitch .063 (w/kit)	1	6	AA-73603	LINK—connecting (with rivets)	2
	AA-72984	44" CHAIN—#4, 1/16 pitch .063 (w/kit)	1	7	72979-1	CUTTER—right	1
	AA-73564	50" CHAIN—#4, 1/16 pitch .063 (w/kit)	1	8	72959	RIVET	4
	AA-73563	60" CHAIN—#4, 1/16 pitch .063 (w/kit)	1	AA-73314	KIT—#10 chain repair (not shown)	1	
	AA-73338	18" CHAIN—#10, 1/2" pitch .063 (w/kit) ..	1			Includes	
	AA-73340	23" CHAIN—#10, 1/2" pitch .063 (w/kit) ..	1	72964	CUTTER—left	1	
	AA-73342	28" CHAIN—#10, 1/2" pitch .063 (w/kit) ..	1	72960	LINK—connecting (plain)	2	
	AA-73344	33" CHAIN—#10, 1/2" pitch .063 (w/kit) ..	1	73383	LINK—drive	1	
	AA-73346	38" CHAIN—#10, 1/2" pitch .063 (w/kit) ..	1	AA-72961	LINK—connecting (with rivets)	2	
	AA-73350	44" CHAIN—#10, 1/2" pitch .063 (w/kit) ..	1	72963	CUTTER—right	1	
2	A-74318	18" BAR—track hardened plus extra hard tip	1	72959	RIVET	4	
	A-74323	23" BAR—track hardened plus extra hard tip	1	9	22808	WRENCH—combination	1
	A-74328	28" BAR—track hardened plus extra hard tip	1	22670	FILE HOLDER—1/2" pitch	1	
	73330-1	33" BAR—extra hard tip	1			Includes	
	73332-1	38" BAR—extra hard tip	1	22676-2	FILE—1/4" rd.	1	
	73336-1	44" BAR—extra hard tip	1	22944	FILE HOLDER—1/16" pitch	1	
	73565-1	50" BAR—extra hard tip	1			Includes	
	73562-1	60" BAR—extra hard tip	1	22970	FILE—1/32" rd.	1	

BOW PARTS

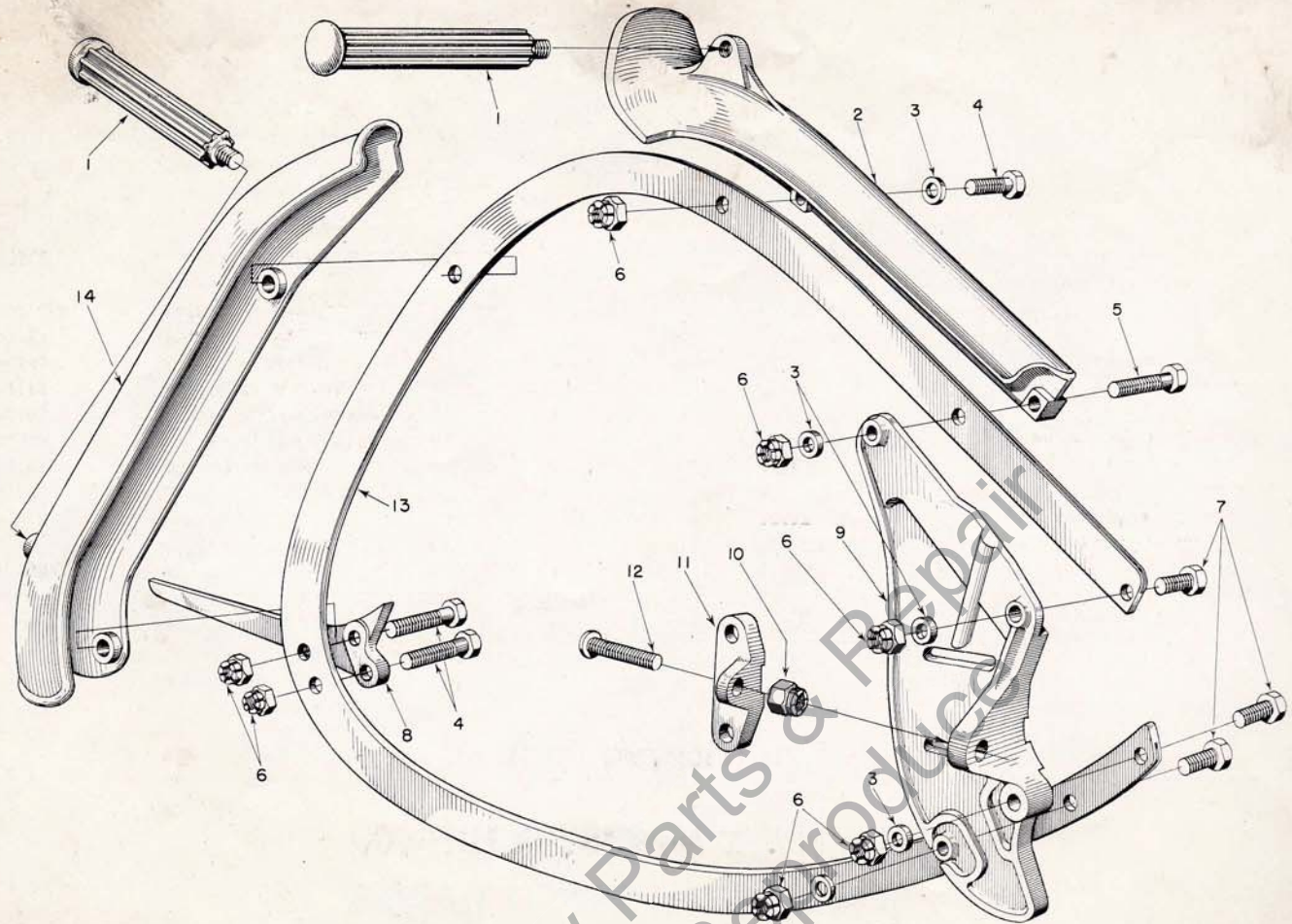


FIGURE 11

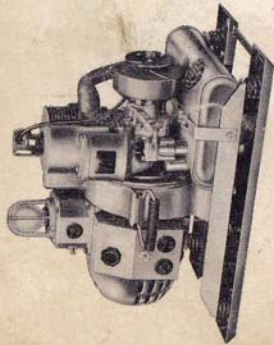
22

HOMELITE CHAIN SAW MODEL 7-29

PARTS LIST FOR FIGURE 11

Index No.	Part No.	Nomenclature	No. Required
	A-73875	BOW KIT	1
		Includes	
1	72226	HANDLE	1
2	72779	GUARD	1
3	84001	WASHER— $\frac{5}{16}$ flat	5
4	80546	SCREW— $\frac{5}{16}$ -24 x $1\frac{1}{4}$ hex. hd.	3
5	80606	SCREW— $\frac{5}{16}$ -24 x $1\frac{3}{4}$ hex. hd.	1
6	81112	NUT— $\frac{5}{16}$ -24 hex. lock	7
7	80545	SCREW— $\frac{5}{16}$ -24 x 1	3
8	72784	SPUR—plunging	1
9	A-73876	PLATE—mounting	1
		Includes	
	80580	SCREW—headless	1

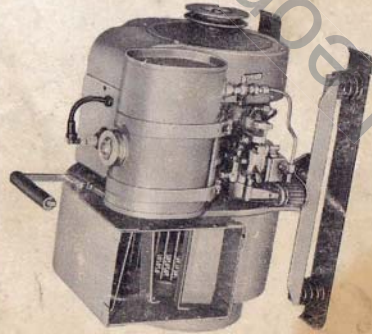
Index No.	Part No.	Nomenclature	No. Required
10	81123	NUT—adjusting plate	1
11	71947-A	PLATE—adjusting	1
12	80617	SCREW—adjusting plate	1
13	A-73739	14" GUIDE—hard-surfaced	1
	A-73740	18" GUIDE—hard-surfaced	1
	AA-73235	END—helper (optional use—18" bow only)	1
		Includes	
14	72827	GUARD	1
	72226	HANDLE (same as index No. 1)	1
	AA-73340	CHAIN—#10 (for 14" bow)	1
	AA-73342	CHAIN—#10 (for 18" bow)	1
	AA-73314	KIT—chain repair (see figure 9 for breakdown)	1



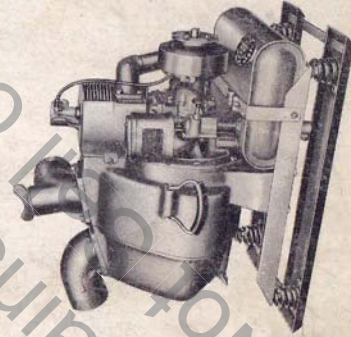
GENERATORS
 Alternating or Direct Current
 Gasoline-Engine-Driven
 Sizes: 1000 to 5000 watts
 Voltages: 6 to 220 volts
 Frequencies: 50 to 400 cycles



CHAIN SAWS
 Gasoline-Engine-Driven
 3 1/2 HP to 7 HP
 Straight Blade and Bow
 Brushcutter and
 Clearing Attachment



BLOWERS
 Ventilators
 Gasoline-Engine-Driven
 Capacities: 1500 CFM



PUMPS
 Diaphragm
 Self-Priming Centrifugal
 Gasoline-Engine-Driven
 Sizes: 1 1/2", 2", 3"
 Capacities: 5,500 to 15,000 gph

HOMELITE *Carryable PRODUCTS*

HOMELITE
 a division of Textron Inc.
 PORT CHESTER, N. Y., U.S.A.

A TRUSPECTIVE Publication by
 The PURNELL COMPANY
 Boston, Mass.