

**HOMELITE®**

**REVISION 3**  
**PART NO. 17598**  
Printed in U.S.A.  
Price \$1.00

# PARTS LIST



**HOMELITE®**

# 410

(UT-10486-B)

# 410 SL

(UT-10587-B)

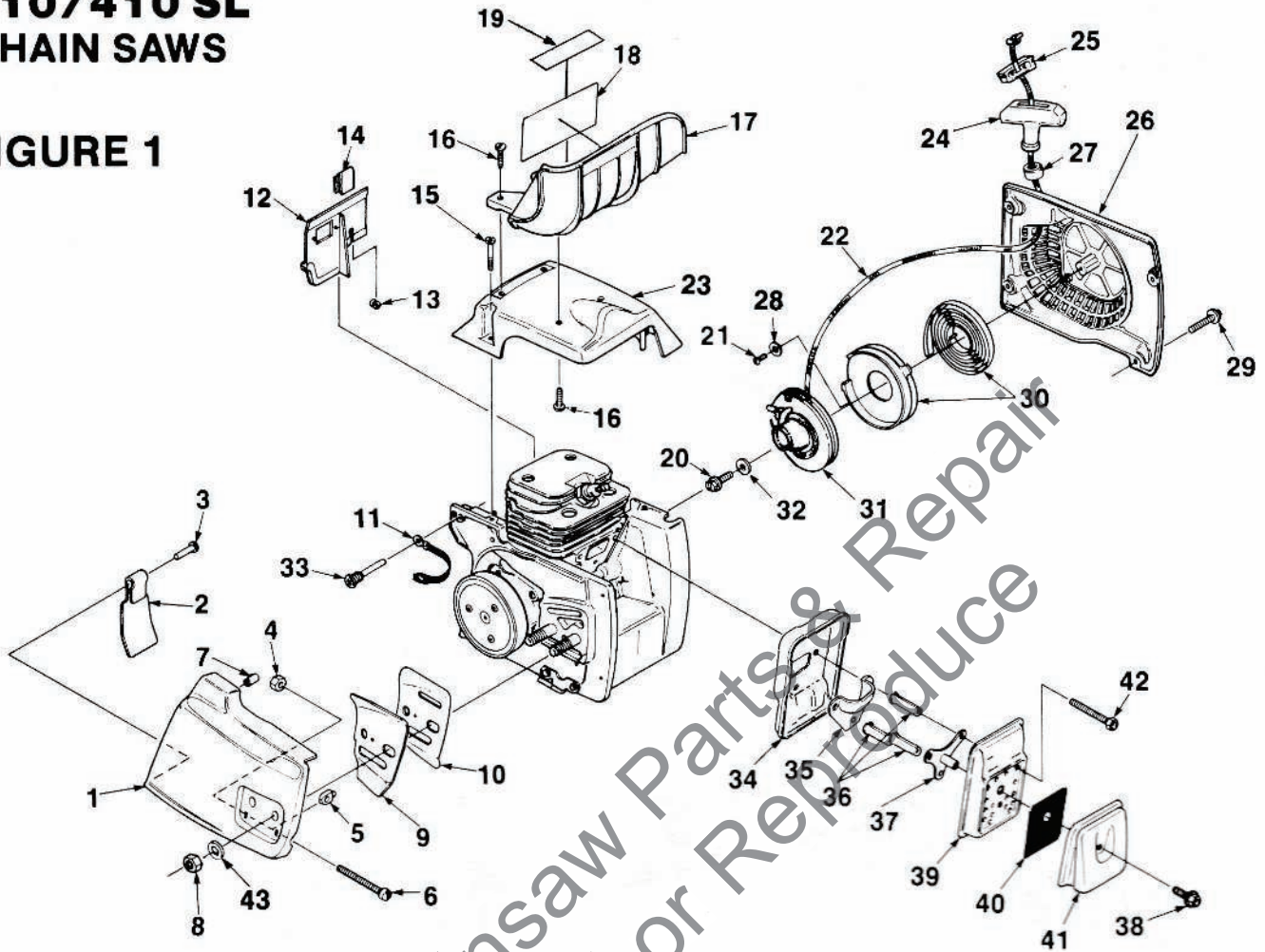
## CHAIN SAWS

**HOMELITE** **TEXTRON**

Homelite Division of Textron Inc.

# 410/410 SL CHAIN SAWS

## FIGURE 1

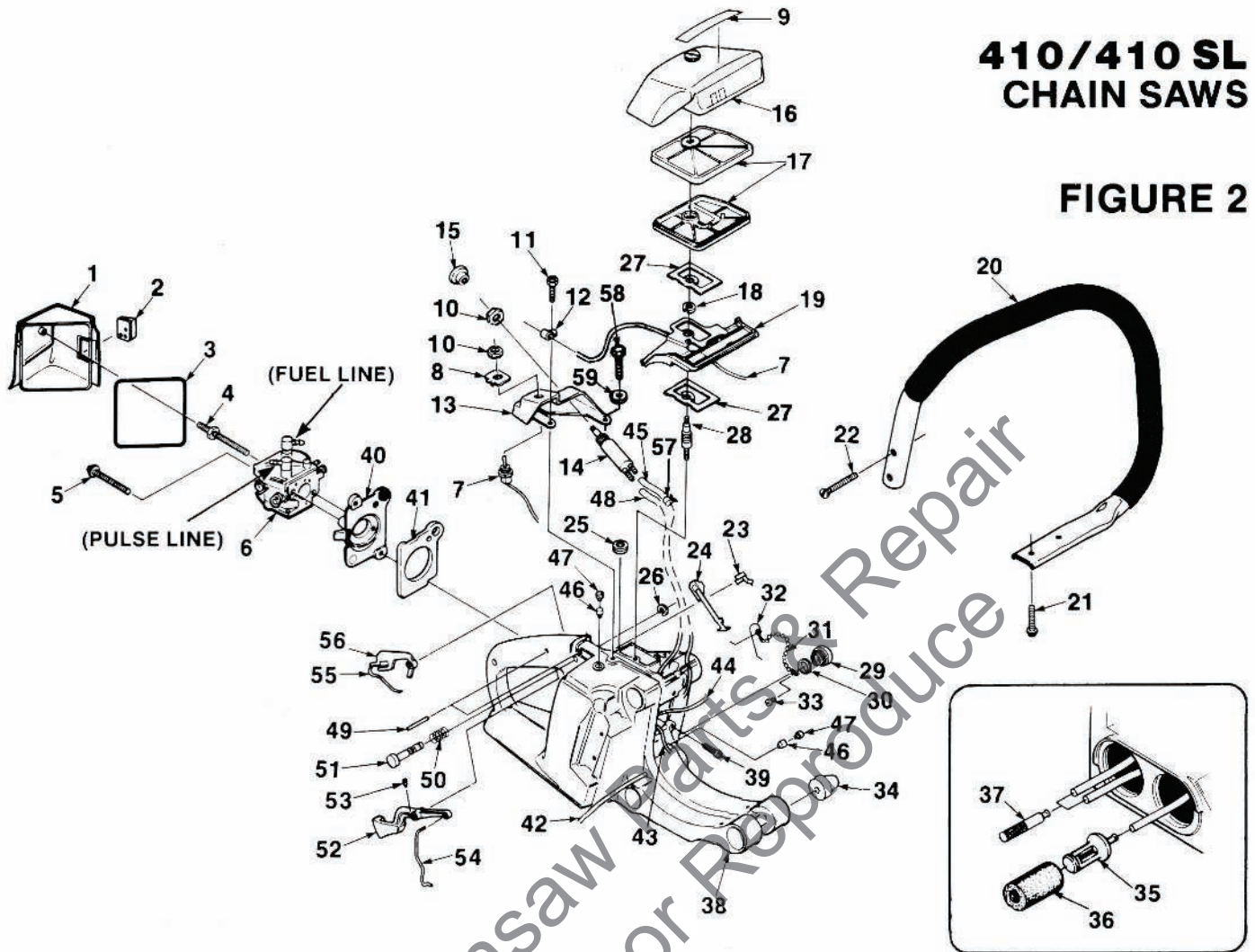


NO.	DESCRIPTION	PART NO.	QTY.	NO.	DESCRIPTION	PART NO.	QTY.
1	COVER- Drivecase Includes:	A-96500	1	22	ROPE- Starter (#5) 45"	A-00518	1
2	SHIELD- Sawdust	93439	1	23	COVER- Cylinder (410 only)	93163-1	1
3	RIVET- Pan hd.	85154	1	24	GRIP- Starter rope Includes:	A-69962-B	1
4	NUT- Hex (1/4-20)	81204	1	25	INSERT- Rope retaining	70018-A	1
5	PIN- Guide bar adj.	93039	1	26	HOUSING- Starter Includes:	A-97988-A	1
6	SCREW- Guide bar adj.	63367	1	27	BUSHING	67177	1
7	BUSHING	95839	1	28	WASHER- Flat	84025	2
8	NUT- (3/8-16)	81089-2	2	29	SCREW- Hex Sems (10-24 x 5/8")	82298	4
9	PLATE- Guide bar (outer) 410 only	70400	1	30	SPRING & RETAINER	A-98067	1
10	PLATE- Guide bar (inner)	70399	1	31	STARTER PULLEY & CUP	A-97990	1
11	STRAP- Ground	A-93459-A	1	32	WASHER- Retaining	58763	1
12	DEFLECTOR- Air Includes:	A-96866	1	33	PIN- Isolator	93367	6
13	GROMMET	93357	1	34	BODY- Muffler	93347	1
14	SPRING- Clip	96200	1	35	PLATE- Stiffner	93349	1
15	SCREW- Cylinder cover (8-32 x 7/8")	93397-A	3	36	SPACER- Muffler	93983-03	3
16	SCREW- Threaded rolling plastite (#10 x 5/8")	82312	4	37	SPACER & PLATE Includes:	A-95062	1
17	GUARD- Hand Includes:	A-95092	1	38	SCREW- Hex Sems (10-32 x 3/8")	88048	1
18	DECAL- Safety warning	96990-A	1	39	COVER- Muffler	93348-1A	1
19	LABEL- Ansi	98646	1	40	SCREEN- Spark	93344	1
20	SCREW- (#10 x 5/8")	93417	1	41	CAP- Muffler exhaust	A-93355-A	1
21	SCREW- Plastite (6 x 3/8")	82528	2	42	SCREW- Hex hd. (12-24 x 1 7/8")	94129	3
				43	WASHER- Flat	95479-A	2



# 410/410 SL CHAIN SAWS

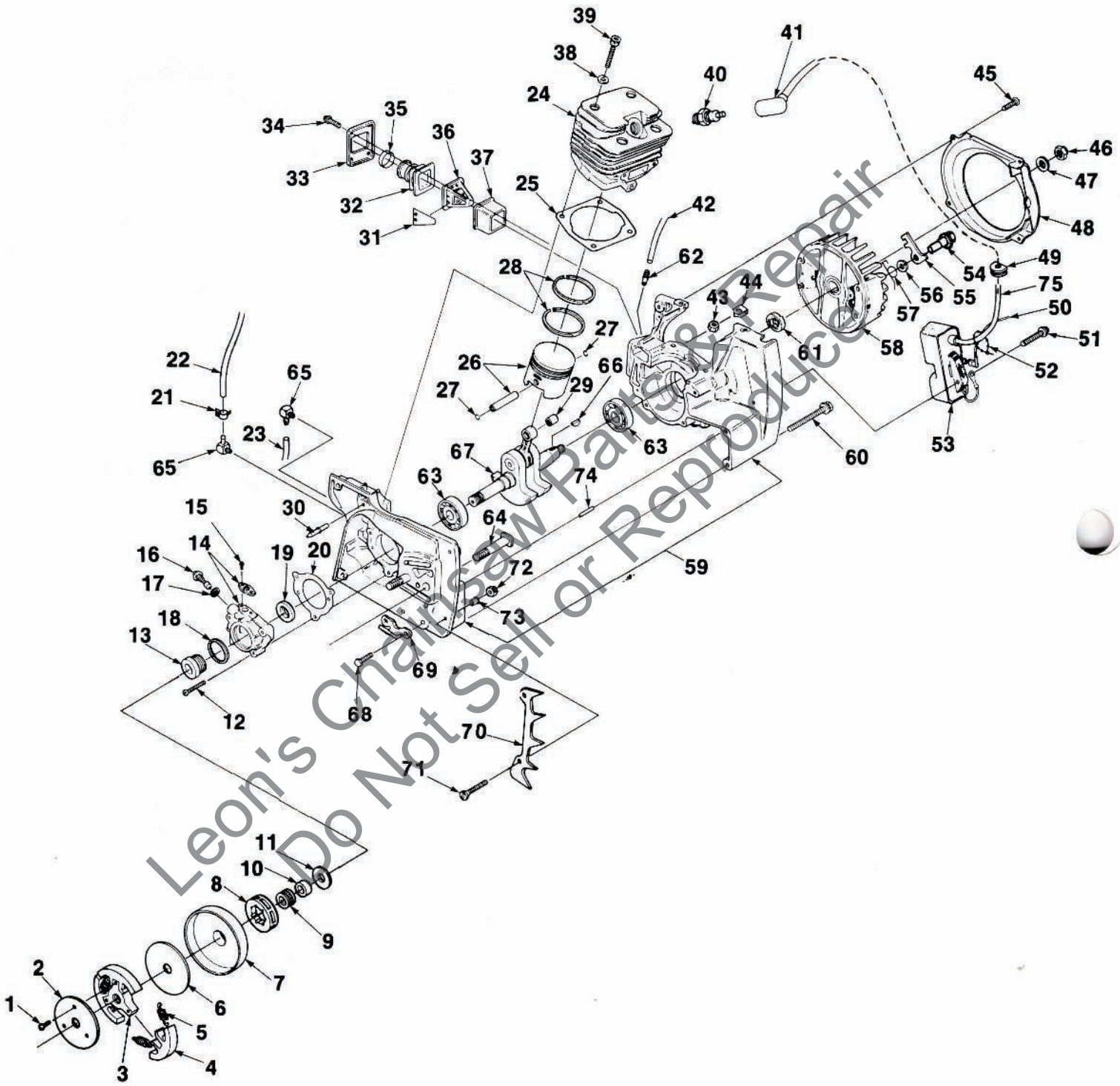
## FIGURE 2



NO.	DESCRIPTION	PART NO.	QTY.	NO.	DESCRIPTION	PART NO.	QTY.
1	COVER- Carburetor Includes:	A-93431-2	1	31	BEAD- Chain	69502	2
2	GROMMET (Hi-Lo)	93470	1	32	RETAINER- Filler cap	96535	2
3	GASKET- Carburetor	01160	1	33	SCREW- Plastite	82256-A	2
4	STUD- Shoulder	93468	1	34	ISOLATOR	93368-A	6
5	SCREW- Hex Sems (10-24 x 7/8")	93460	1	35	FILTER- Fuel Includes:	A-97700	1
6	CARBURETOR (Walbro)	A-97102	1	36	ELEMENT- Filter	59253-1A	1
7	SWITCH & LEAD Includes:	A-01931	1	37	FILTER- Oil	A-59009-A	2
8	PLATE- Indicating	12793-A	1	38	HOUSING- Engine Includes:	A-93446-A	1
9	LABEL- Warning	00276	1	39	SCREW- Soc hd. (8-32 x 1/2")	80022	3
10	NUT- Toggle switch	72084-A1	3	40	ADAPTER- Carburetor	97623-1	1
11	SCREW- Hex Sems hd. (10-24 x 1/2")	88049	1	41	SPACER- Carburetor	97622-A	1
12	CLAMP- Wire	96717	1	42	TUBING- 6 3/4" (auto pick up)	94772-23	1
13	PANEL- Rear	93215-1	1	43	TUBING- 4 3/4" (pulse line)	93157-19	1
14	PUMP- Manual oil Includes:	A-96976	1	44	TUBING- 8 3/4" (fuel line pick up)	94772-32	1
15	BUTTON	65084	1	45	TUBING- 5" (Man. delivery)	94772-20	1
16	COVER- Air filter	A-97094	1	46	VALVE- Check	69451	2
17	FILTER- Air	A-93401	1	47	FILTER- 11/32"	93410	2
18	RING- Retaining	93389	1	48	TUBING- 9 3/4" (man pick up)	94772-36	1
19	SUPPORT- Filter cover	93364	1	49	PIN- Trigger	68548	2
20	HANDLE BAR	A-93409-C	1	50	SPRING- Compression	93376	1
21	SCREW- Hex Sems (10-24 x 7/8")	88052	2	51	PIN- Throttle lock	93375	1
22	SCREW- (10-24 x 1 1/4")	82389	2	52	TRIGGER Includes:	A-93374-A	1
23	RETAINER- Choke	93381	1	53	SCREW- Set (6-32 x 1/4")	82373	1
24	ROD- Choke	93372	1	54	ROD- Throttle	93371-A	1
25	BOOT- Throttle rod	69889	1	55	SPRING- Flat	93386	1
26	RING- Retaining	93377	1	56	LOCK- Trigger	93385	1
27	GASKET FILTER & SUPPORT	97635	2	57	CLAMP	93426	1
28	STUD- Threaded	93382-A	1	58	SCREW- Hex hd. (10-24 x 5/8")	82298	1
29	CAP- Fuel (red)	A-97799	1	59	WASHER- Lock	83025	1
	CAP- Oil (black)	A-97798	1				
	Includes:						
30	GASKET- Fuel & Oil Cap	98805	2				

# 410/410 SL CHAIN SAWS

## FIGURE 3





# 410/410 SL CHAIN SAWS

## FIGURE 3

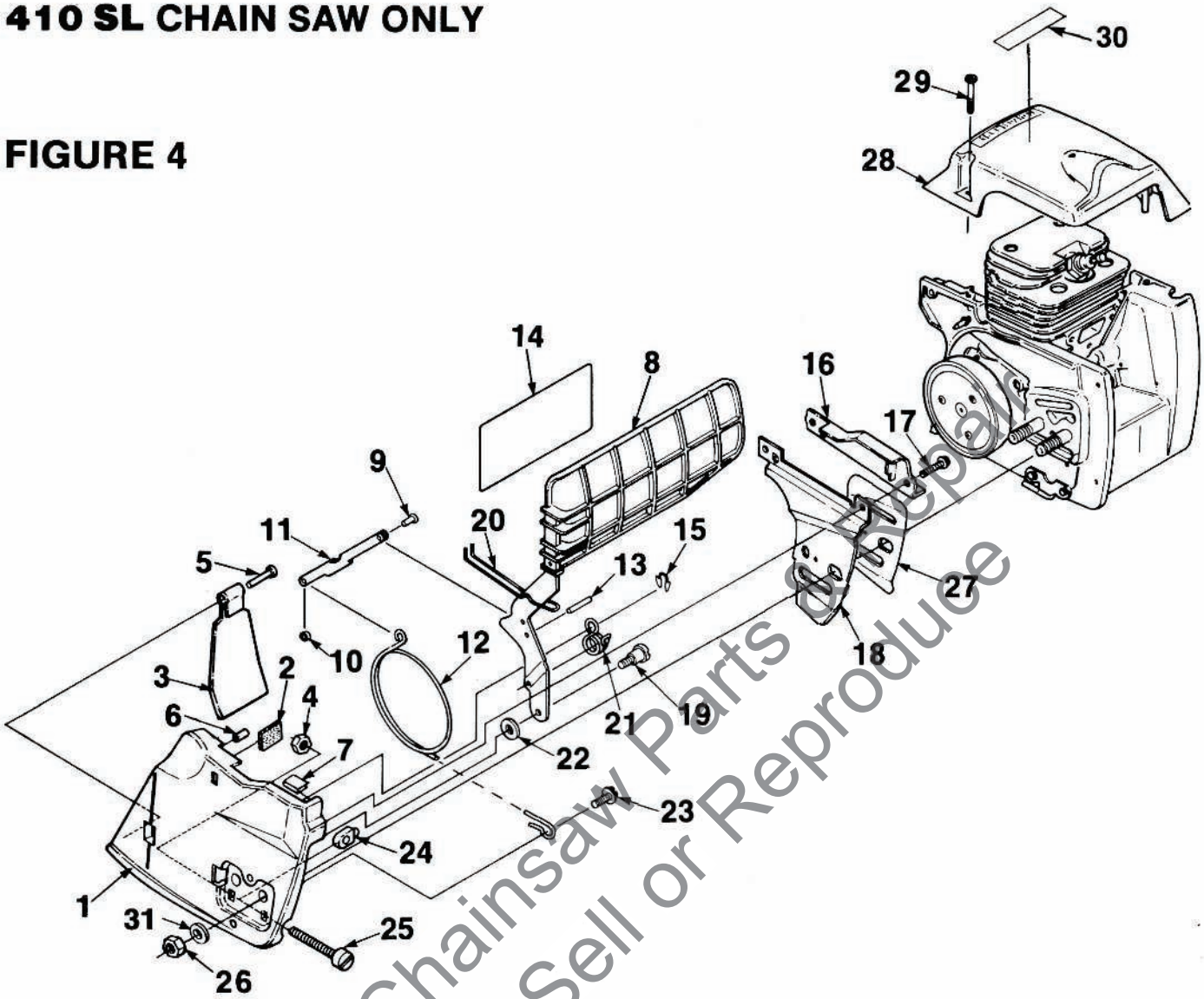
NO.	DESCRIPTION	PART NO.	QTY.	NO.	DESCRIPTION	PART NO.	QTY.
1	SCREW- Pan hd. (8-32 x 3/8")	82253	3	43	NUT- Centerlock (10-24)	81208	4
2	COVER- Clutch	93628	1	44	RETAINER- Nut	12689-A	2
3	SPIDER- Clutch	93639	1	45	SCREW- Pan hd. (6-32 x 3/8")	82251	4
4	SHOE- Clutch	A-93632-B	3	46	NUT- Lock (3/8-24)	81255	1
5	SPRING- Clutch	93814-A	3	47	WASHER- Flat	95479-A	1
6	WASHER- Thrust	93650	1	48	SCROLL- Air guide	93312	1
7	DRUM & HUB	A-94302	1	49	GROMMET	58318	1
8	SPROCKET 3/8" pitch 7 tooth SPROCKET & DRUM (spur type 3/8" 7T) (see note 2)	95058-A	1	50	SWITCH & LEAD (see figure 2, index #7 for breakdown)	A-01931	1
9	BEARING- Needle	A-95465	1	51	SCREW- Hex Sems (10-24 x 7/8")	88052	2
10	RACE- Inner	64124	1	52	CLAMP- Wire	50729	1
11	WASHER- Thrust (see note 2)	64129-A	1	53	MODULE	A-93414	1
12	SCREW- Fil. hd. (10-24 x 7/8")	63462	1	54	BOLT- Shoulder	64054-C	2
13	WORM- Oil pump	80660	3	55	PAWL- Starter	58756-A	2
14	PUMP- Automatic oil	93336	1	56	WASHER- Flat	84115	2
	Includes:	A-93319	1	57	SPRING- Starter pawl	01101-1	2
15	SCREW- (4-40 x 1/4")	80919	2	58	ROTOR	93313	1
16	SCREW- Cam	64102-A	1	59	CRANKCASE	A-93441	1
17	GASKET	59736	1		Includes:		
18	SEAL- Felt	59926	1	60	SCREW- (10-24 x 1 3/4")	88056	5
19	SEAL	12282-A	1	61	SEAL	12282-A	1
20	GASKET	93329	1	62	FITTING	69833	1
21	CLAMP	93426	1	63	BEARING- Ball	94621	2
22	TUBING 5" (manual delivery)	94772-20	1	64	BOLT- Guide bar	93310	2
23	TUBING- 6 3/4" (auto oil pick-up)	94772-23	1	65	FITTING	70204	2
24	CYLINDER	A-00901	1	66	KEY- Woodruff	75078	1
	Includes:			67	CRANKSHAFT	A-97567-A	1
25	GASKET	93338	1		Includes:		
26	PISTON	A-97794-2	1		BEARING- Needle (prior to lot #E286) (See index #29)	93369	1
	Includes:				BEARING- Ball (see index #63)	94621	1
27	RING- Retaining	64813	2		BEARING- Needle (long) (see index #29) (after lot #E286)	97566	1
28	PISTON- Ring	93216	2	68	SCREW- Hex Sems (8-32 x 1/2")	88042	2
29	NEEDLE- Bearing (after lot #E286)	97566	1	69	STOP- Chain	70705	1
30	PIN- Dowel	96865	1	70	KIT- Spiked bumper	A-93445-B	1
31	REED	93325	4		Includes:		
32	CONNECTOR- Carburetor	93327	1	71	SCREW- (10-24 x 1/2")	97636	2
33	RETAINER- Reed valve	93328	1	72	NUT	81261	2
34	SCREW- Washer hd. (8-32 x 5/8")	80582	4	73	WASHER- Sealing	97633	2
35	STIFFNER- Connector (for units prior to Lot #C300)	93323	1	74	PIN- Dowel	31062	2
36	SEAT- Reed valve	93324	1	75	LEAD- High tension (note 1)	69326	1
37	RETAINER- Reed	93326-A	1		SAFE•T•TIP (not shown)	DA-70790-B	1
38	WASHER- Conical	12021	4		Includes:		
39	SCREW- Soc hd. (10-24 x 1 1/8")	93399	4		SCREW	82335	1
40	SPARK PLUG (DJ7Y)	96169-S	1				
41	TERMINAL- Spark plug	A-33055	1				
42	TUBING- 4 3/4"	93157-19	1				

**NOTE 1:** Cut replacement lead 69326 to 6".

**NOTE 2:** When using A-95465 sprocket, use 63463 washer in place of index #11.

# 410 SL CHAIN SAW ONLY

## FIGURE 4



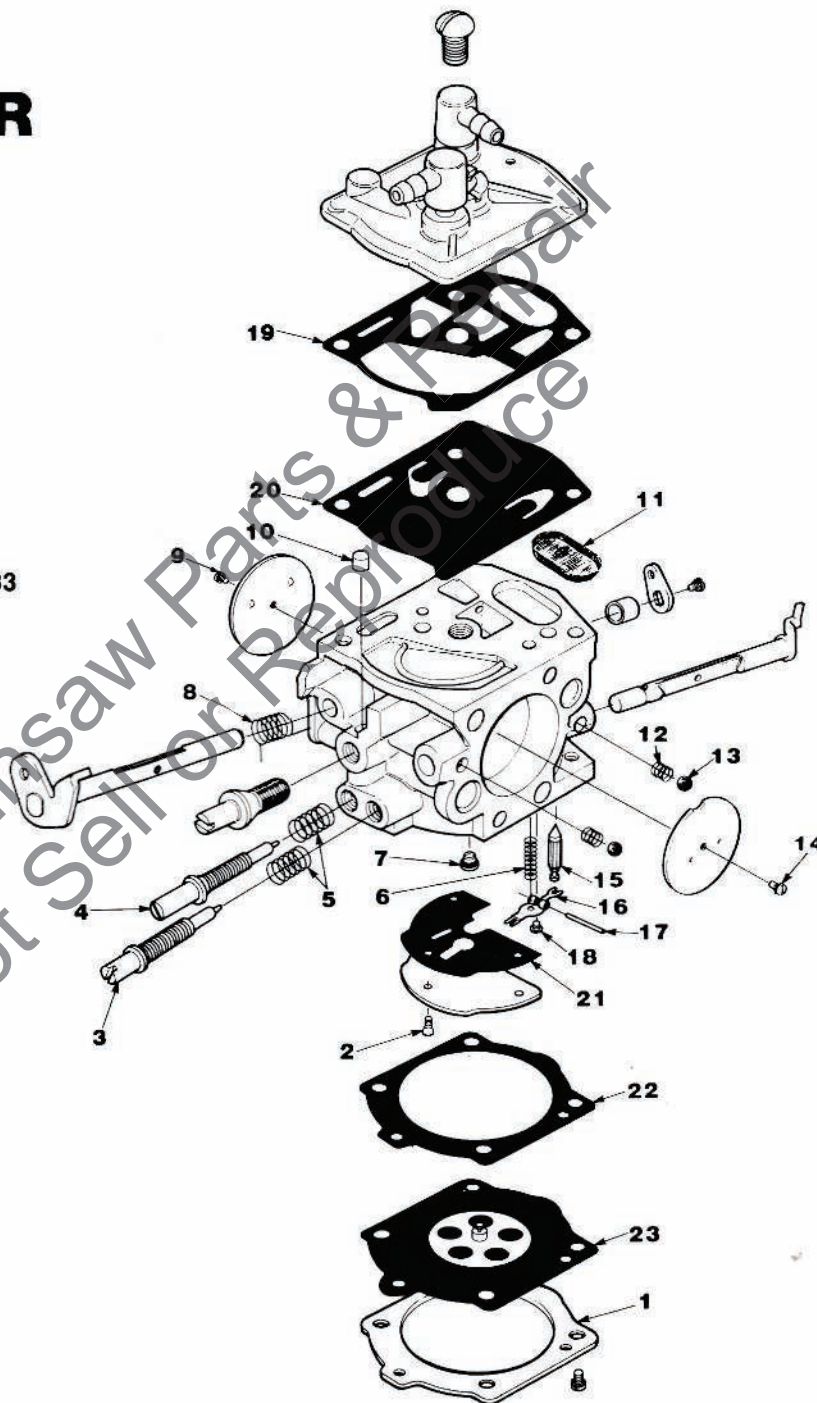
NO.	DESCRIPTION	PART NO.	QTY.	NO.	PART NO.	PART NO.	QTY.
	KIT- Chain brake	A-96941-B	1	15	RING- Retaining	93464	1
	Includes:			16	SHIELD	93482	1
1	COVER- Drivecase	A-97374	1	17	SCREW- Pan hd. (6-32 x 3/8")	82251	2
	Includes:			18	PLATE- Guide bar (outer)	93481	1
2	BUMPER- Foam	97587	1	19	SCREW- Shoulder	93492	1
3	SHIELD- Sawdust	93439	1	20	SPRING	93491	1
4	NUT- Hex (1/4-20)	81204	1	21	SPRING- Torsion	93489	1
5	RIVET- Pan hd.	85154	1	22	WASHER- Flat	93466	1
6	BUSHING	95839	1	23	SCREW- (1/4-20 x 3/8")	80136-1	1
7	CLIP- Spring	93435	1	24	PIN- Guide bar adjusting	93039	1
8	GUARD- Hand (w/brake)	A-93485-D	1	25	SCREW- Guide bar adjusting	63367	1
	Includes:			26	NUT	81089-2	1
9	RIVET- Truss hd.	93436	1	27	PLATE- Guide bar (inner)	70399	1
10	SPACER	93495	1	28	COVER- Cylinder	A-98629	1
11	LINK- Pivot	93488	1		Includes:		
12	BAND- Brake	93490-1	1	29	SCREW	93397-A	3
13	PIN- Dowel	59751	1	30	DECAL- Ansi	98646	1
14	DECAL	96990-A	1	31	WASHER- Flat	95479-A	2



**FIGURE 5**

**CARBURETOR  
A-97102  
WS-22**

Repair Kit (1-23) 97132  
Nozzle check valve (7) 97131  
Gasket/Diaphragm Kit (19-23) 97133  
Needle Inlet (15) 64229



## ACCESSORIES & TOOLS

WRENCH- Combination	A-24284-A	BIT- Driver torx (isolator pin)	
SILASTIC	24823	5/16 shank	24982-02
TUBING- Rubber 10' (fuel & oil)	93112-99	KIT- Winter	A-96708
TUBING- Rubber 10' (pulse line)	93157-99	Includes:	
PAINT- Red	23475	GROMMET	93357
PULLER- Rotor	A-17106-B	CLIP- Spring	96200
Includes:		SPACER- Long bearing tool	97790
STUD- Hex hd.	17108	SPACER- Short bearing tool	97791
SCREW- Hex hd.	80627	ANVIL- Bearing installation	23846-4
RING- Retaining	93972	TOOL- Needle bearing (plug)	23756
WRENCH- Spanner	A-17146	TOOL KIT- Carburetor repair	17789
SHIM- Air gap (black)	24306	Ignition Test Spark Plug	JA-31316-4
COMPOUND- Thread locking	23488-C		
BIT- Driver torx (isolator pin)			
1/4 shank	24982-01		

## BAR & CHAIN COMBINATIONS

BAR SIZE & TYPE	BAR NUMBER	CHAIN DESCRIPTION	CHAIN NUMBER
16" PT	PT-16381-G5	38-LE50-59	J1-92059-MB
GW	GW-16001-G5	38-LE50-59	
SP	SP-16381-H5	38-LE50-59	
20" PT	PT-20381-G5	38-LE50-70	J1-92070-MB
GW	GW-20001-G5	38-LE50-70	
SP	SP-20381-H5	38-LE50-70	
24" PT	PT-24381-G5	38-LE50-81	J1-92081-MB
GW	GW-24001-G5	38-LE50-81	
SP	SP-24381-H5	38-LE50-81	
28" SP	SP-28381-H5	38-LE50-92	J1-92092-MB
30" GW	GW-30001-G5	38-LE50-98	J1-92098-MB
31" SP	SP-31381-H5	38-LE50-103	J1-92103-MB

**HOMELITE DIVISION OF TEXTRON INC.**

P.O. BOX 7047

14401 CAROWINDS BOULEVARD

CHARLOTTE, N.C. 28241

3986

# HOMELITE **TEXTRON**

Homelite Division of Textron Inc.