

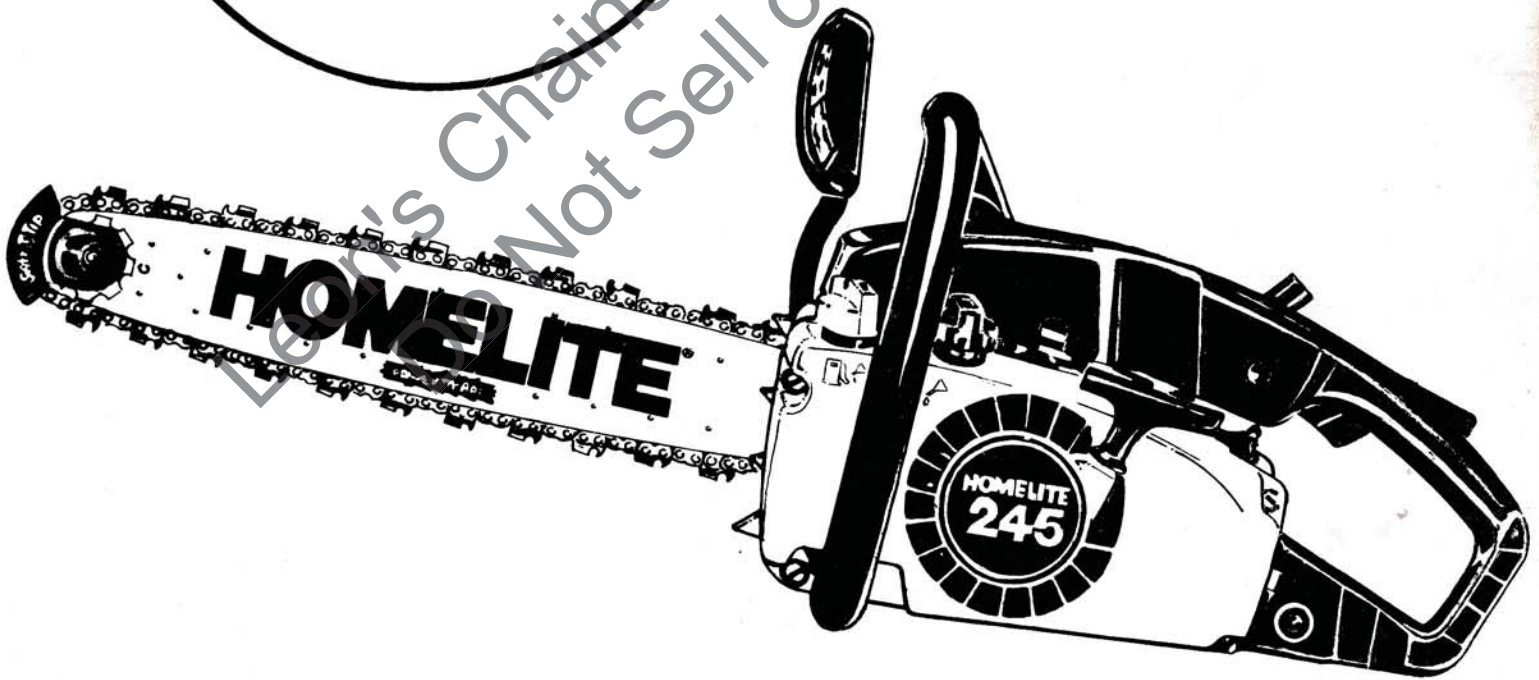


PART NO. 17773
PRINTED IN U.S.A.
PRICE 35¢

PARTS LIST



VIBRATION-ISOLATED
CHAIN SAWS

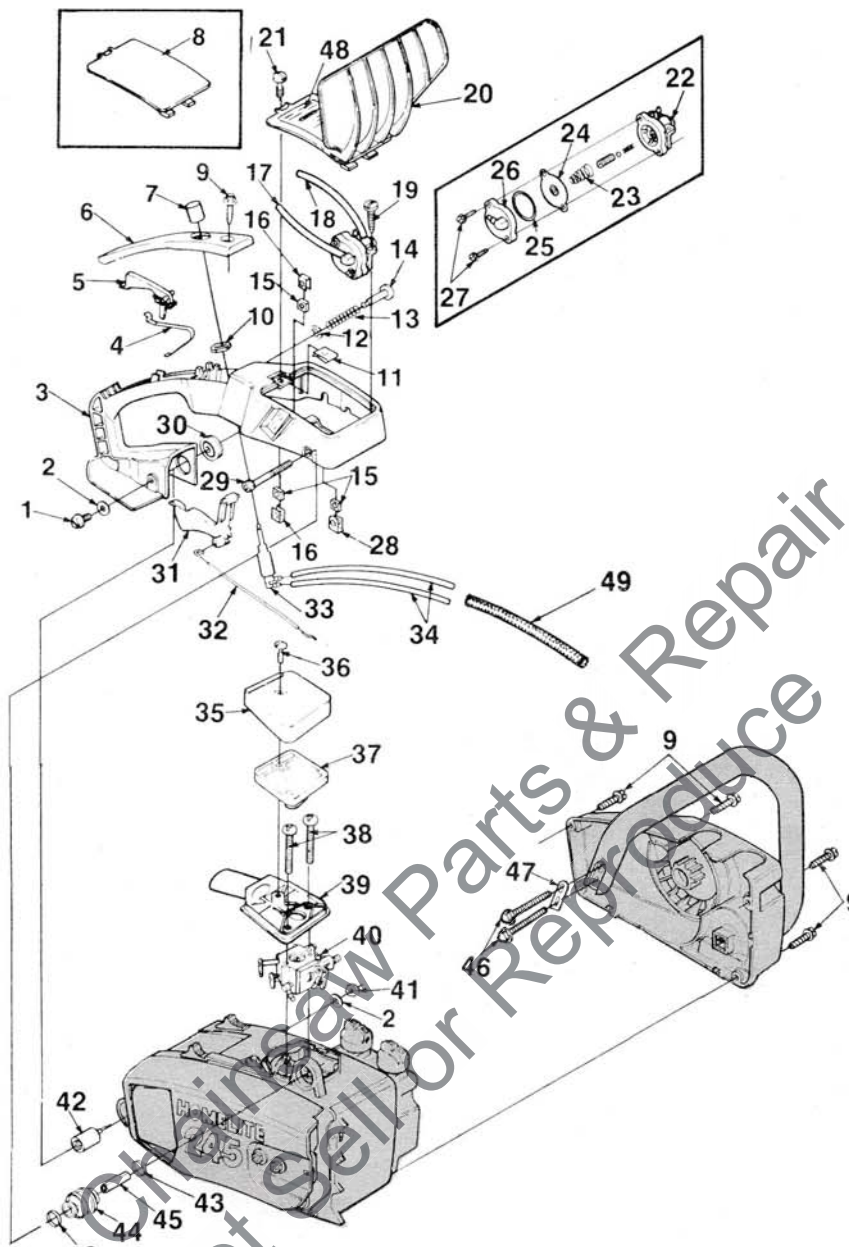


HOMELITE **TEXTRON**

Homelite Division of Textron Inc.

**245-HG
245-SL**

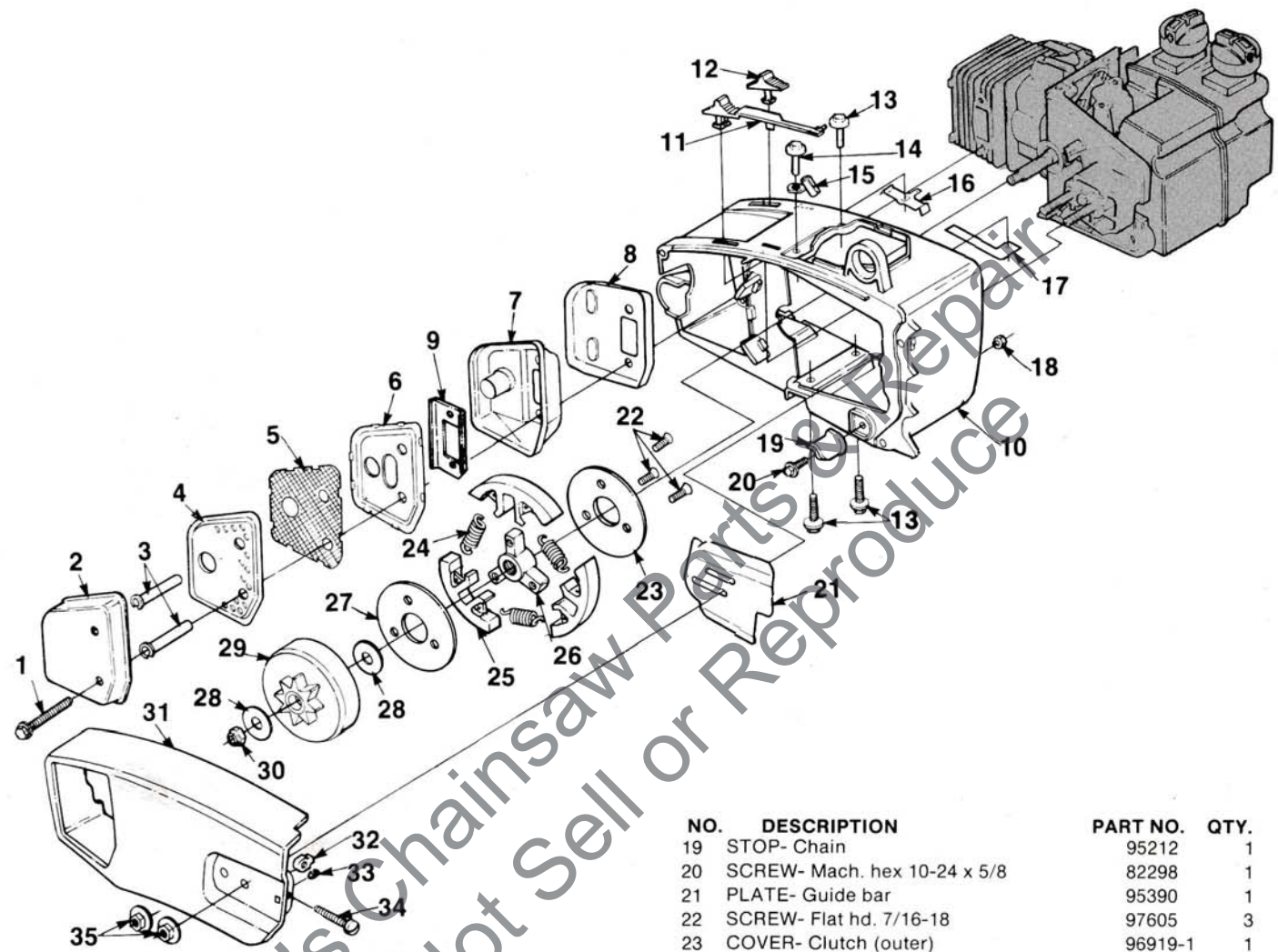
FIGURE 1



NO.	DESCRIPTION	PART NO.	QTY.	NO.	DESCRIPTION	PART NO.	QTY.
1	SCREW- 10-32 x 3/8	80870	1	23	SPRING- Oil pump	69447	1
2	WASHER- Flat #10	84003	2	24	PLUNGER- Oil pump	A-95070	1
3	CHAMBER- Carburetor	96224	1	25	"O" RING	96480	1
4	SPRING- Throttle lock	97076	1	26	COVER- Oil pump	94919	1
5	INTERLOCK- Trigger	96213	1	27	SCREW- Plastite #8-16 x 5/8	82380	2
6	COVER- Handle	96225	1	28	RETAINER- Nut	95375	1
7	BUTTON- Oil pump	97072	1	29	SCREW- Soc. hd. cap (10-24 x 1 5/8)	96818	1
8	COVER- Air filter (245 SL only)	A-95297	1	30	GROMMET	96210	1
	Includes:			31	TRIGGER- Throttle	96209	1
	SCREW- Retaining	97596	1	32	CABLE- Control	97096	1
9	SCREW- #10 x 3/4	70771	5	33	PUMP- Manual oil	97081	1
10	NUT- Hex (15/32 x 32)	81266	1	34	TUBING- 6 3/4"	70310-27	2
11	NUT- Speed	96576	1	35	COVER- Air filter	96953	1
12	RING- Retaining	58409	1	36	SCREW- Retaining	95217	1
13	SPRING- Compression	95020	1	37	FILTER- Air	96952	1
14	PIN- Throttle lock	95671	1	38	SCREW- Mach/hex 10-24 x 1 5/8	96176	2
15	NUT- Square 10-24	70810	3	39	BASE- Air filter	96953	1
16	RETAINER- Nut	95337	2	40	CARBURETOR- (Zama CIS-H8)	A-97167	1
17	LINE- Pulse 3 1/4"	A-96778	1		CARBURETOR- (Walbro WT-19)	A-97168	1
	Includes:			41	NUT- Lock hex (10-24)	81256	1
	SPRING (not shown)	95216	2	42	ISOLATOR- Shear	96053	1
18	TUBING- (Oil outlet) 4 1/2" (Auto)	70310-18	1	43	RING- Vibration isolator	70432-A	2
19	SCREW- Plastic #10 x 5/8	82312	1	44	ISOLATOR	95868	1
20	GUARD- Hand (w/cover) (245HG only)	A-93573-A	1	45	SPACER-	70433	1
	Includes:			46	SCREW- Hex (10-24 x 1 1/8)	82218	2
21	SCREW- Retaining	95796	1	47	PLATE- Handle bar	96901	1
22	BODY- Oil pump	A-97524	1	48	DECAL- Warning	97600	1
				49	SLEEVE	97679	1

**245-HG
245-SL**

FIGURE 2



NO.	DESCRIPTION	PART NO.	QTY.
	MUFFLER- Complete	A-96931	1
	Includes:		
1	SCREW	95005	2
2	CAP- Muffler	94887-1	1
3	SPACER	93983-08	2
4	BAFFLE- Muffler	96928	1
5	SCREEN- Spark arrestor	95637-1	1
6	BAFFLE- Muffler	94888-1	1
7	BODY- Muffler	A-96930	1
8	DEFLECTOR- Exhaust	96925	1
9	PLATE- Muffler	94889	1
10	HOUSING- Engine	94951-A	1
11	BUTTON- Choke	95050	1
12	BUTTON- Stop switch	95086-A	1
13	SCREW- Hex Sems 10-24 x 5/8	88063	3
14	SCREW- 10-24 x .625	88050	1
15	BRACKET- Cable	94864	1
16	SPRING- Stop switch	95087	1
17	CONTACT- Stop switch	95091	1
18	NUT- Lock 10-24	81256	1

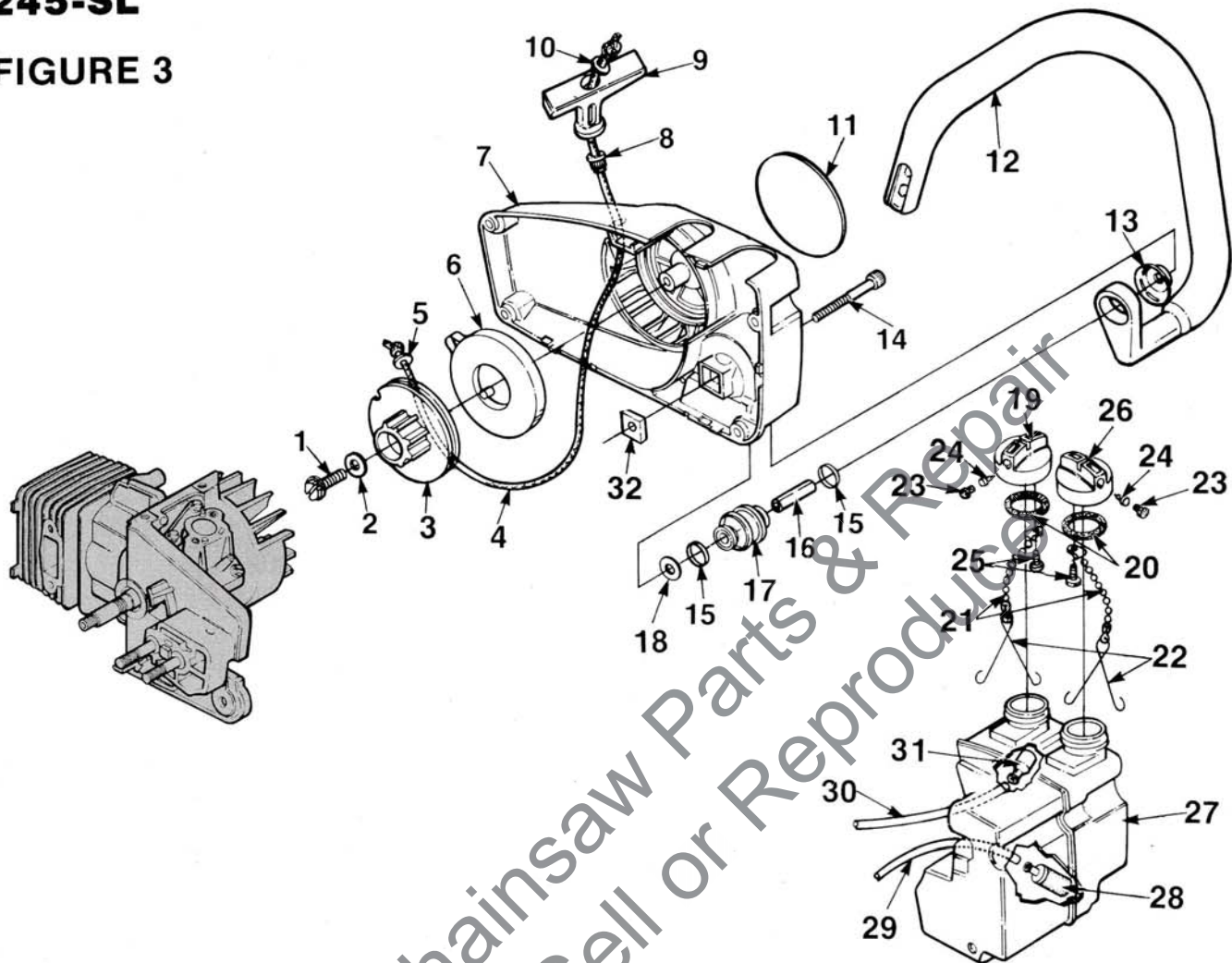
NO.	DESCRIPTION	PART NO.	QTY.
19	STOP- Chain	95212	1
20	SCREW- Mach. hex 10-24 x 5/8	82298	1
21	PLATE- Guide bar	95390	1
22	SCREW- Flat hd. 7/16-18	97605	3
23	COVER- Clutch (outer)	96919-1	1
24	SPRING- Ext.	97053	3
25	SHOE- Clutch	A-96749	3
26	SPIDER- Clutch	96748	1
27	COVER- Clutch (inner)	96919	1
28	WASHER- Thrust	95299	2
29	SPROCKET & DRUM (37/375 chain only) 6T	A-97172	1
	SPROCKET & DRUM (325P, 8T)	A-97056	1
	Includes:		
	BEARING- Needle	68512	1
	SPROCKET & DRUM w/bearing (optional)	A-96522	1
	Includes:		
	SPROCKET & DRUM 3/8", 7T	A-95458	1
	BEARING- Needle	64124	1
	RACE- Inner	65746-B	1
30	NUT- Lock 5/16-24	81112	1
31	COVER- Drivecase	A-97057	1
	Includes:		
32	PIN- Guide bar adjusting	69254-1A	1
33	"E" RING	93574	1
34	SCREW- Guide bar adjusting	93575	1
35	NUT- Flange 1/4-20	81258	2

ALWAYS FURNISH MODEL AND SERIAL NUMBER WHEN ORDERING PARTS.

245-HG

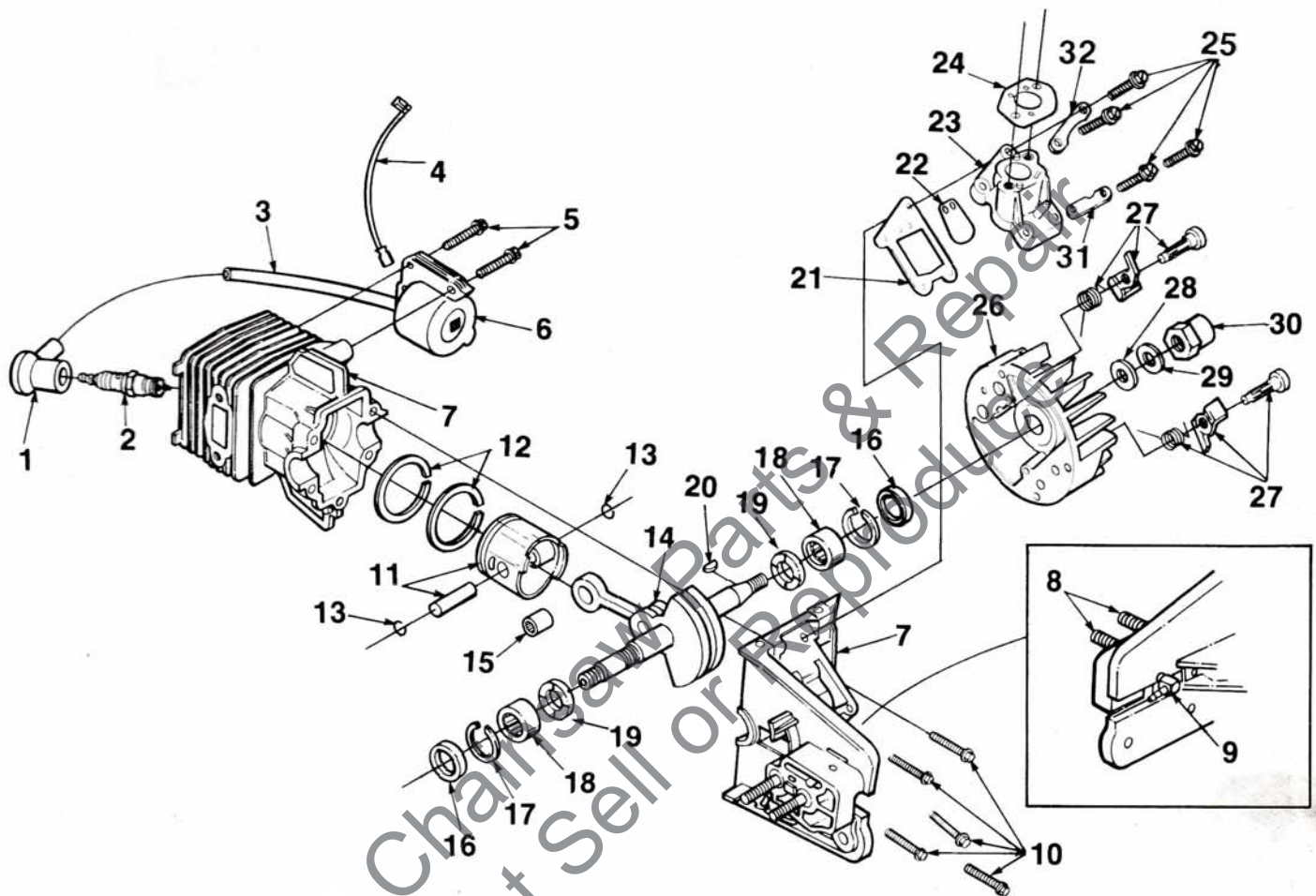
245-SL

FIGURE 3



NO.	DESCRIPTION	PART NO.	QTY.	NO.	DESCRIPTION	PART NO.	QTY.
1	SCREW- #10 x 3/4	70771	1	19	CAP- Oil	A-96957	1
2	WASHER- Retainer	94062	1		Includes:		
3	PULLEY- Starter	69158-A	1	20	GASKET- Filler cap	94494	1
4	ROPE- Starter #4 3/4"	A-93874-A	1	21	BEAD- Chain	69502	1
	Includes:			22	RETAINER	96535	1
5	WASHER- Nylon	93862	1	23	FILTER- Fuel cap	69454	1
6	SPRING & CONTAINER	A-95233	1	24	VALVE	69451	1
7	HOUSING- Starter	A-95210-A	1	25	SCREW- Pan hd.	82256	1
8	BUSHING- Starter hsg.	96981-1A	1	26	CAP- Fuel	A-96936	1
9	GRIP- Starter rope	70211	1		Includes:		
10	WASHER- Flat #8	84025	1		See Index Numbers 20 thru 25		
11	DECAL- "245"	97052	1	27	TANK- Fuel & oil	A-97141	1
12	HANDLE BAR	95931	1		Includes: Also #19, 20, 26		
13	WASHER- Vibration isolator	70440-A	1	28	FILTER- Fuel	96639	1
14	SCREW- Soc. hd. cap (10-24 x 1 5/8)	96818	1	29	TUBING- Fuel 6 1/2"	70310-26	1
15	RING- Vibration isolator	70432-A	2	30	TUBING- Oil outlet 6 3/4"	70310-27	1
16	SPACER	70433	1	31	FILTER- Oil	A-68593	1
17	ISOLATOR	95868	1	32	NUT- Square 10-24	95213	1
18	WASHER- Flat	95249	1				

FIGURE 4



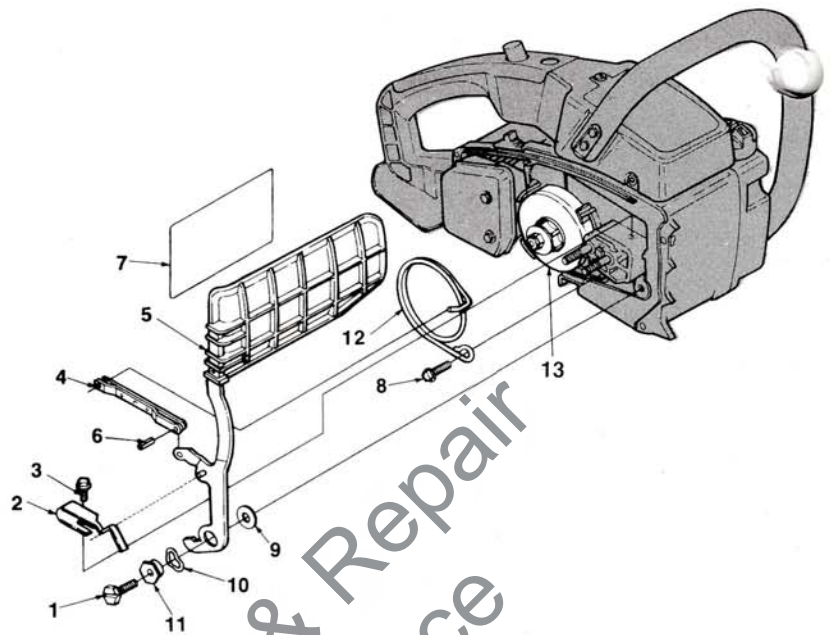
NO.	DESCRIPTION	PART NO.	QTY.	NO.	DESCRIPTION	PART NO.	QTY.
1	TERMINAL- High tension lead	A-94754	1	17	RING- Retaining	68514	2
2	SPARK PLUG (DJ-7Y)	96169-S	1	18	BEARING- Needle	12530	2
3	LEAD- High tension (note 1)	69326	1	19	BEARING- Thrust	95492	2
4	LEAD- Ground	A-96378	1	20	KEY- Magneto	69250	1
5	SCREW- Mach., hex hd. 8-32 x 7/8	82430	2	21	GASKET- Manifold	94873	1
6	MODULE- Ignition (Includes items #1 and #3)	94711-1	1	22	REED	95983	1
7	CRANKCASE & CYLINDER	A-96753-A	1	23	MANIFOLD- Intake	94872-1	1
	Includes:			24	GASKET- Carburetor	95022-A	1
8	BOLT- Guide bar	96083	2	25	SCREW- Hex washer 8-32 x 5/8	82291	4
9	FITTING	50558	1	26	ROTOR- Magneto	A-95007	1
10	SCREW- 10-24 x 1 1/8	96624	5		Includes:		
11	PISTON & PIN	A-96751-A	1	27	PAWL- Starter	A-70285-D	1
	Includes:			28	WASHER- Flat 5/16	84065	1
12	PISTON RINGS	94916	2	29	WASHER- Lock 5/16	83002	1
13	RING- Retaining	65261	2	30	NUT- Guide	96255	1
14	CRANKSHAFT	A-96752	1	31	WASHER- Intake manifold	96540	1
	Includes:			32	WASHER- Intake manifold	96539	1
15	BEARING- Needle	97125	1				
16	SEAL- Shaft	94638	2				

NOTE 1: Cut replacement lead to 6 1/2".

245-SL

CHAIN BRAKE

NO.	DESCRIPTION	PART NO.	QTY.
1	SCREW- Hex cap 1/4-20 x 5/8	80048	1
2	CLIP- Retaining	95406	1
3	SCREW- Hex Sems 10-24 x 3/8	88048	1
4	LINK- Pivot	A-70767	1
5	HAND GUARD	A-97179	1
Includes:			
6	PIN- Roll	95395	1
7	DECAL	96990	1
8	SCREW- Hex Sems 10-24 x 5/8	88050	1
9	WASHER- Thrust	95397	1
10	WASHER- Curved	95486	1
11	CAM- Brake lever	96170	1
12	BAND- Brake	95482	1
13	SPROCKET & DRUM .325P-8T	A-97056	1
Includes:			
	BEARING (not shown)	68512	1



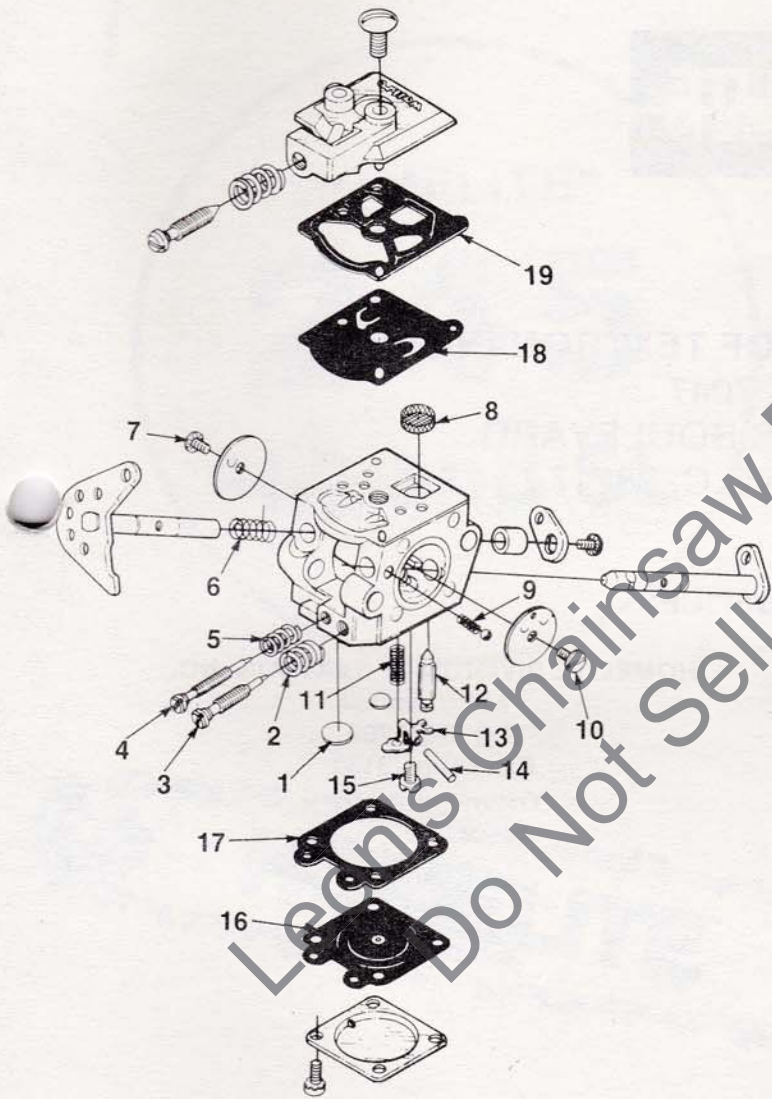
TOOLS

SILASTIC (Crankcase sealing)	24823
LOCTITE	23488-C
PULLER- Magneto rotor	A-24747-A
Includes:	
BOLT- 5/16-18 x 1 3/4 (1)	80288
NUT- Hex 5/16-18 (2)	81196
WRENCH- Spanner (clutch)	A-93791
Includes:	
PIN- Clutch spanner	23717-A
WRENCH- Combination	A-17705
TOOL- Clutch	A-17770

ACCESSORIES

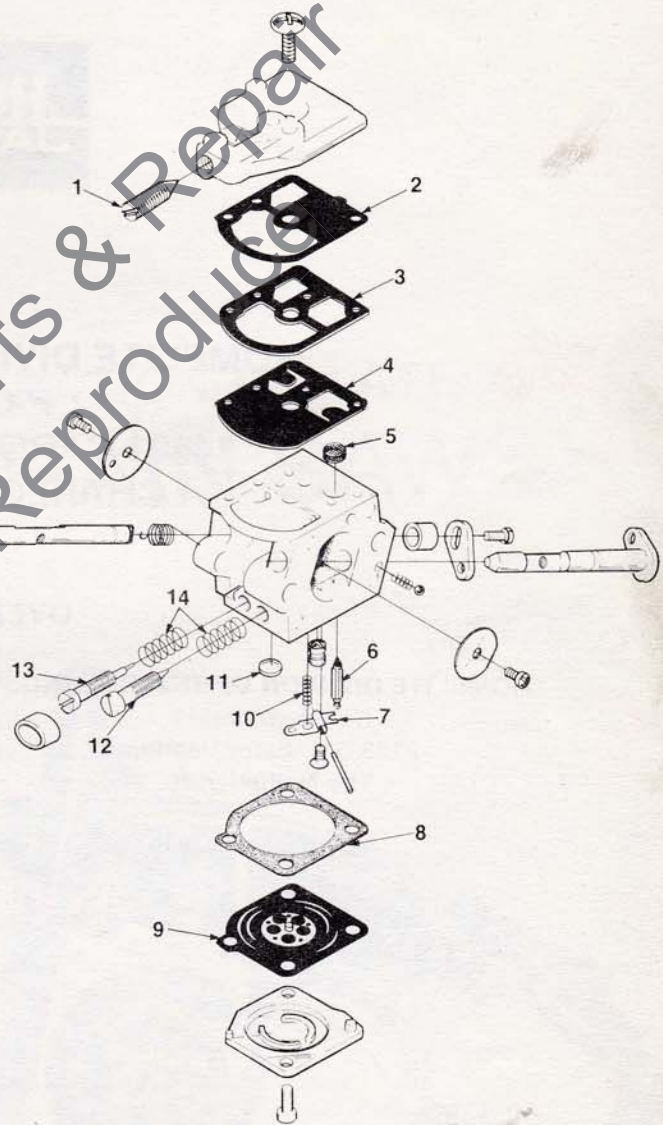
GREASE- Multi use	17193
TUBING- 10 ft. (Fuel & Oil)	70310-99
SAFE•T•TIP- (Standard on units)	DA-70776-A
Includes:	
SCREW- (Special)	93695
TUBING- 10 ft. (pulse line)	95201-99
ROPE- Starter 250 ft. #4	68848
BUMPER- Spiked	A-97046
Includes:	
SCREW- Mach-flat	80310
SCREW- (10-24 x 1/2)	80672
NUT- Locking hex	81256

**CARBURETOR
A-97168
(Walbro #WT-19)**



REPAIR KIT (96986) (Includes items 1-19)
GASKET/DIA-KIT (96944) (Includes items 16-19)
INLET NEEDLE (96915) (Item #12)

**CARBURETOR
A-97167
(ZAMA C-1S-H8)**



REPAIR KIT (96646-A) (Item #1-14)

**HOMELITE
JACOBSEN**

HOMELITE DIVISION OF TEXTRON INC.

P.O. BOX 7047
14401 CAROWINDS BOULEVARD
CHARLOTTE, NC.C. 28217

OVERSEAS OFFICES

HOMELITE DIVISION OF TEXTRON INC.

Koreenaarstraat 1
2153 BM Nieuw Vennepe
The Netherlands

HOMELITE DIVISION OF TEXTRON INC.

Pacific Limited
P.O. BOX 209
Blackburn, 3130
Victoria, Australia

HOMELITE TEXTRON

Homelite Division of Textron Inc.

ZN8886NZ

Leon's Chainsaw Parts & Repair
Do Not Sell or Reproduce