



# HOMELITE SXL-922

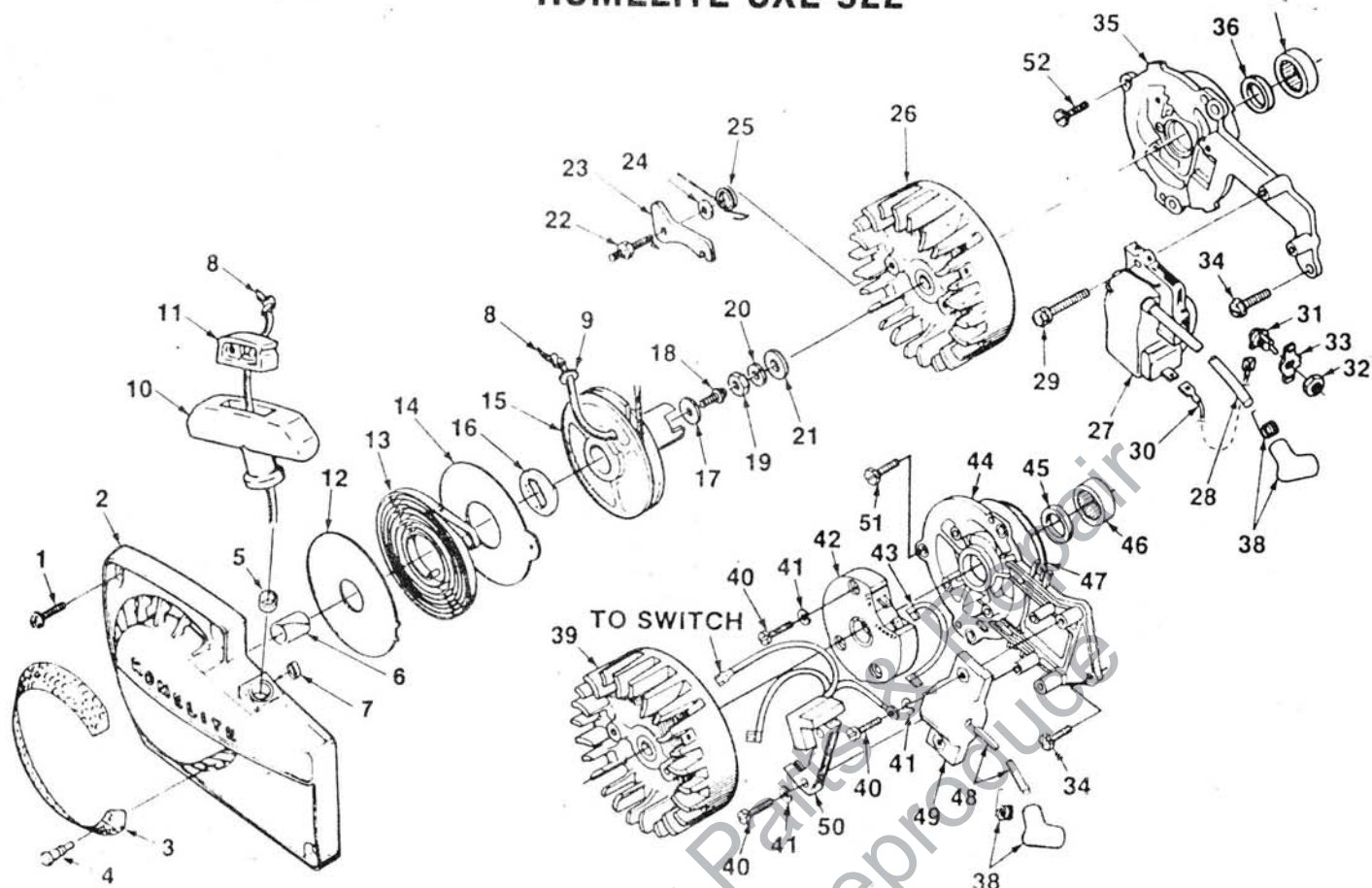


FIGURE 1

| No. | Description              | Part No.  | Qty. | No. | Description                | Part No.   | Qty. |
|-----|--------------------------|-----------|------|-----|----------------------------|------------|------|
| 1   | SCREW-Hex hd 12-24 x 5/8 | 80676     | 4    | 27  | MODULE-ignition            | A-96798    | 1    |
| 2   | HOUSING-Fan              | A-64504-C | 1    |     | Includes:                  |            |      |
|     | Includes                 |           |      | 28  | LEAD-High tension          | 96743      | 1    |
| 3   | SCREEN-Fan housing       | 64420-1   | 1    | 29  | SCREW-Sems hex hd          | 88044      | 2    |
| 4   | STUD-Drive               | 67191     | 4    | 30  | LEAD-Ground                | A-94850-T  | 1    |
| 5   | BUSHING-Starter rope     | 67127     | 1    | 31  | SWITCH-Toggle              | A-57650-3A | 1    |
| 6   | BUSHING-Starter post     | 64443     | 1    |     | Includes:                  |            |      |
| 7   | BUSHING-Rewing spring    | 65830     | 1    | 32  | NUT                        | 72084-A1   | 1    |
| 8   | ROPE-Starter             | 58806     |      | 33  | PLATE-Indicating           | 12793-A    | 1    |
| 9   | WASHER                   | 78093     | 1    | 34  | SCREW-1/4-20               | 80218-1    | 1    |
| 10  | GRIP-Starter rope        | A-69962-B |      | 35  | PLATE-Back                 | A-96799    | 1    |
|     | Includes:                |           |      |     | Includes:                  |            |      |
| 11  | INSERT-Rope retaining    | 70018-A   | 1    | 36  | SEAL                       | 12282-A    | 1    |
| 12  | SHIELD-Spring (inner)    | 63566     | 1    | 37  | BEARING                    | 63195      | 1    |
|     | SPRING-Rewind            | 63268-A   |      | 38  | TERMINAL-Spark p lug       | A-33055    | 1    |
| 14  | SHIELD-Spring (outer)    | 63565-A   |      | 39  | ROTOR-Magneto              | 67165      | 1    |
| 15  | PULLEY-Rewind starter    | A-64446   | 1    | 40  | SCREW-Pan 8-32 x 3/4       | 82178      | 7    |
|     | Includes:                |           |      | 41  | WASHER-Lock 8              | 83022      | 7    |
| 16  | LOCK-Rewind spring       | 94827     | 1    | 42  | MODULE-Ignition            | 67162      | 1    |
| 17  | WASHER-Retaining         | 58763     | 1    | 43  | LEAD-Transformer           | 67167      | 1    |
| 18  | SCREW-Hex hd 10-32 x 1/2 | 80648     | 1    | 44  | PLATE-Back                 | A-67618-A  | 1    |
| 19  | NUT-Hex 3/8-24           | 81124     | 1    |     | Includes:                  |            |      |
| 20  | WASHER-Lock 3/8          | 83102     | 1    | 45  | SEAL                       | 12282-A    | 1    |
| 21  | WASHER-Flat 3/8          | 84010     | 1    | 46  | BEARING-Roller             | 63195      | 1    |
| 22  | STUD-Pawl                | 58757-E   | 2    | 47  | "O" RING                   | 67559      | 1    |
| 23  | PAWL-Starter             | 58756     | 2    | 48  | LEAD-High tension          | 67166      | 1    |
| 24  | WASHER-Lock 12           | 70901     | X    | 49  | COIL-Transformer           | 67164-A    | 1    |
| 25  | SPRING-Starter pawl      | 65375-2   | 2    | 50  | COIL-Core and generator    | 67163      | 1    |
| 26  | ROTOR-Magneto            | 96801     | 1    | 51  | SCREW-Hex cap 1/4-20 x 5/8 | 80048      | 3    |

ALWAYS FURNISH MODEL AND SERIAL NUMBER WHEN ORDERING PARTS.



# HOMELITE SXL-922

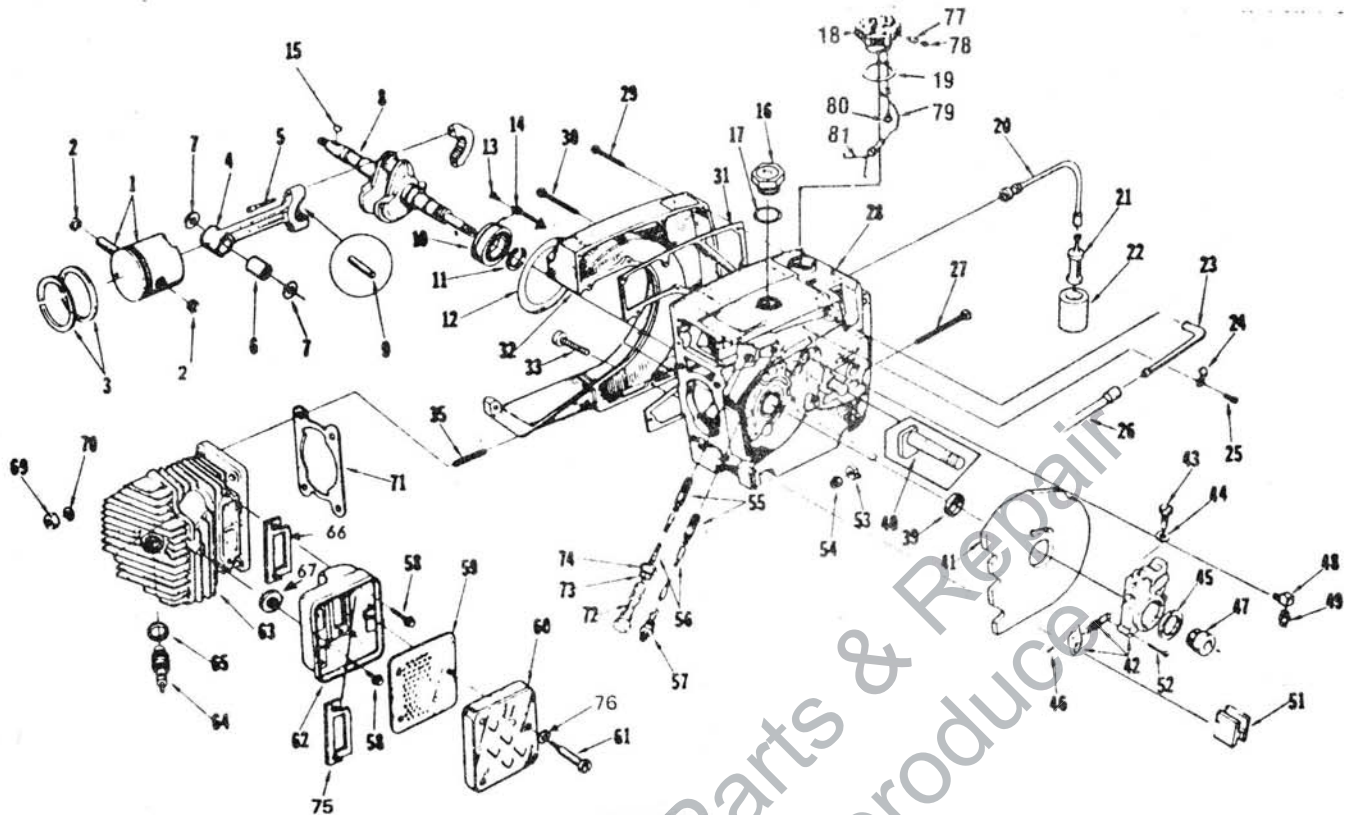


FIGURE 2

| No. | Description                         | Part No.   | Qty. | No. | Description                    | Part No.  | Qty. |
|-----|-------------------------------------|------------|------|-----|--------------------------------|-----------|------|
| 1   | KIT, PISTON 2" dia.                 | A-78118    | 1    | 41  | SHIELD-sawdust                 | 64156-A   | 1    |
| 2   | Includes: RING-piston pin retaining | 64742      | 2    | 42  | PUMP-automatic oil             | A-68265-A | 1    |
| 3   | PISTON RING 2" dia.                 | 55038      | 2    | 43  | Includes: SCREW-cam            | 64102-A   | 1    |
| 4   | ROD-connecting                      | A-69658-A  | 1    | 44  | GASKET-cam screw               | 59736     | 1    |
| 5   | Includes: SCREW-socket, 8-32 x 9/16 | 69919      | 2    | 45  | SEAL-felt                      | 59926     | 1    |
| 6   | BEARING-needle                      | 69638      | 1    | 46  | SCREW-pan, 4-40 x 1/4          | 80919     | 2    |
| 7   | WASHER-thrust                       | 68010      | 2    | 47  | WORM-gear                      | 59675     | 1    |
| 8   | CRANKSHAFT                          | 67168-3    | 1    | 48  | CONNECTOR-elbow                | 31734     | 2    |
| 9   | BEARING-needle (28 rollers)         | A-69056    | 1    | 49  | FITTING-tube                   | 65696     | 1    |
| 10  | BEARING-ball                        | 58190-S    | 1    | 51  | GROMMET-oil line               | 65357     | 1    |
| 11  | RING-retaining                      | 58319-A    | 1    | 52  | SCREW-hex, 8-32 x 3/4          | 82248     | 3    |
| 12  | "O" RING                            | 67559      | 1    | 53  | PIN-guide bar adjusting        | 93039     | 1    |
| 13  | SCREW-bearing retaining             | 70306      | 2    | 54  | NUT-flexloc, 1/4-20            | 81204     | 1    |
| 14  | WASHER-lock                         | 59705      | 2    | 55  | FILTER-oil                     | A-64293   | 2    |
| 15  | KEY                                 | 75078      | 1    | 56  | LINE-oil pick-up               | 64356     | 2    |
| 16  | CAP-oil filler                      | A-65284-AT | 1    | 57  | CONNECTOR-oil filter           | 65695     | 1    |
| 17  | Includes: GASKET                    | 69834      | 1    | 58  | SCREW-hex, 1/4 - 20 x 5/8      | 78423     | 3    |
| 18  | VALVE-CHECK (NOT SHOWN)             | 69451      | 1    | 59  | BAFFLE-muffler                 | 65633     | 1    |
| 19  | CAP-fuel filler                     | A-69500-A  | 1    | 60  | CAP-muffler                    | 69374-IT  | 1    |
| 20  | Includes: GASKET and ITEMS 77 to 81 | 69501      | 1    | 61  | SCREW-shoulder                 | 68480     | 3    |
| 21  | LINE-fuel (flexible)                | 65593-A    | 1    | 62  | BODY-muffler incl. item 75     | A-68979   | 1    |
| 22  | FILTER-fuel                         | A-69923    | 1    | 63  | CYLINDER-2" bore Incl. Item 71 | A-78151   | 1    |
| 23  | Includes: FILTER-fuel               | 64083      | 1    | 64  | SPARK P LUG                    | 79223     | 1    |
| 24  | CONNECTOR-fuel line                 | 67080      | 1    | 65  | Includes: GASKET               | 25038     | 1    |
| 25  | CLAMP-fuel line                     | 65597-1    | 1    | 66  | GASKET, muffler                | 78098     | 1    |
| 26  | SCREW-pan, 6-32 x 5/16              | 80605      | 1    | 67  | WASHER, muffler                | 84020     | 1    |
| 27  | LINE-fuel                           | 65718-B    | 1    | 69  | NUT-hex, 1/4-28                | 81065-2   | 4    |
| 28  | SCREW-guide bar adjusting           | 63367      | 1    | 70  | WASHER-lock, 1/4               | 83009     | 4    |
| 29  | CRANKCASE & TANK                    | A-68023-AT | 1    | 71  | GASKET-cylinder                | 63778-1   | 1    |
| 30  | Includes: SCREW-fil, 8-32 x 5/8     | 82146      | 6    | 72  | TUBE-oil line                  | 63452-A   | A    |
| 31  | SCREW-fil, 8-32 x 2-3/16            | 82155      | 8    | 73  | "O" RING                       | 58406     | 1    |
| 32  | GASKET-fuel tank                    | 67159      | 1    | 74  | GASKET-oil line tube           | 63751     | 1    |
| 33  | COVER-fuel tank                     | 67153-2    | 1    | 75  | PLATE-muffler body             | 69839     | 1    |
| 35  | SCREW-fil, 8-32 x 1 3/4             | 82147      | 1    | 76  | WASHER                         | 78312     | 3    |
| 39  | STUD                                | 69438      | 4    | 77  | VALVE-CHECK                    | 69451     | 1    |
| 40  | SEAL                                | 12282-A    | 1    | 78  | FILTER                         | 69454     | 1    |
|     | BOLT-guide bar                      | 67158      | 2    | 79  | CHAIN-BEAD                     | 69502     | 1    |
|     |                                     |            |      | 80  | SCREW                          | 82256     | 1    |
|     |                                     |            |      | 81  | RETAINER                       | 69503     | 1    |

ALWAYS FURNISH MODEL AND SERIAL NUMBER WHEN ORDERING PARTS.

# HOMELITE SXL-922

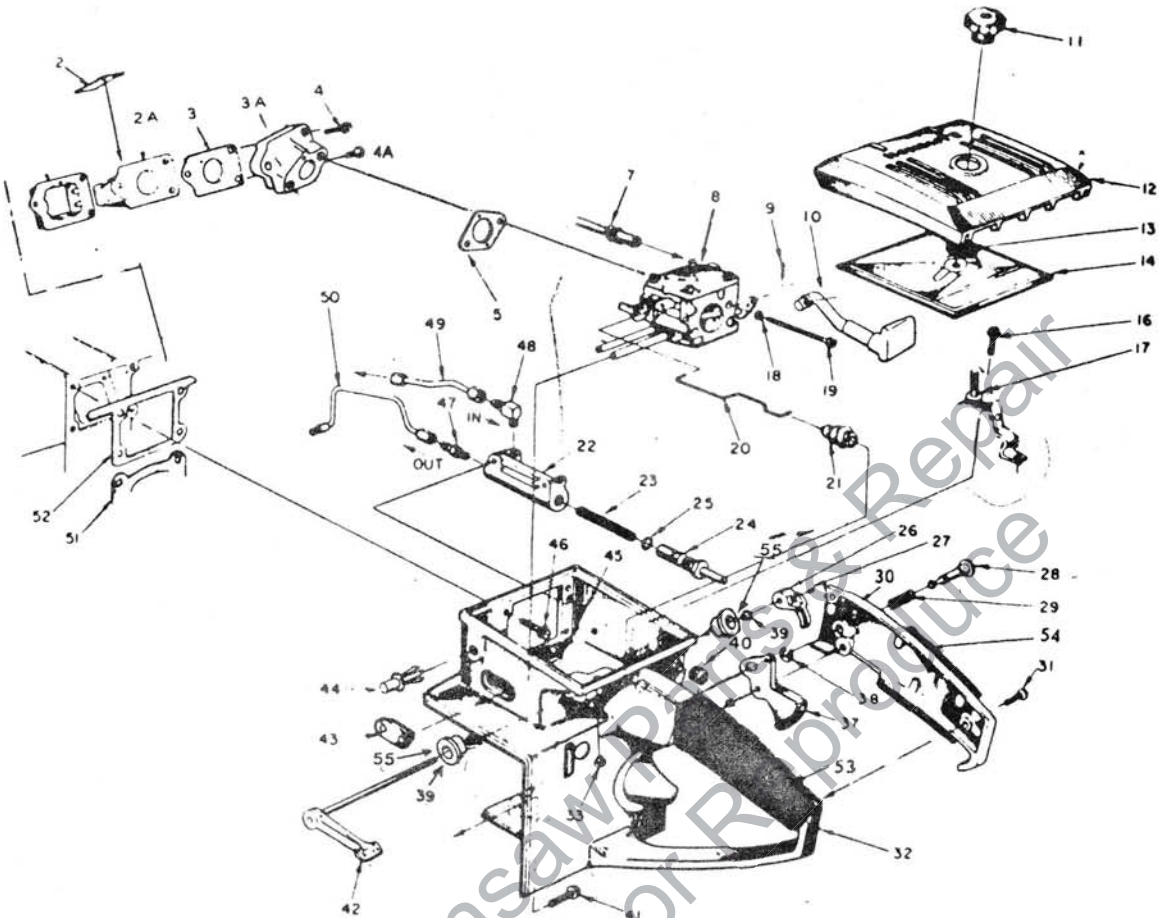


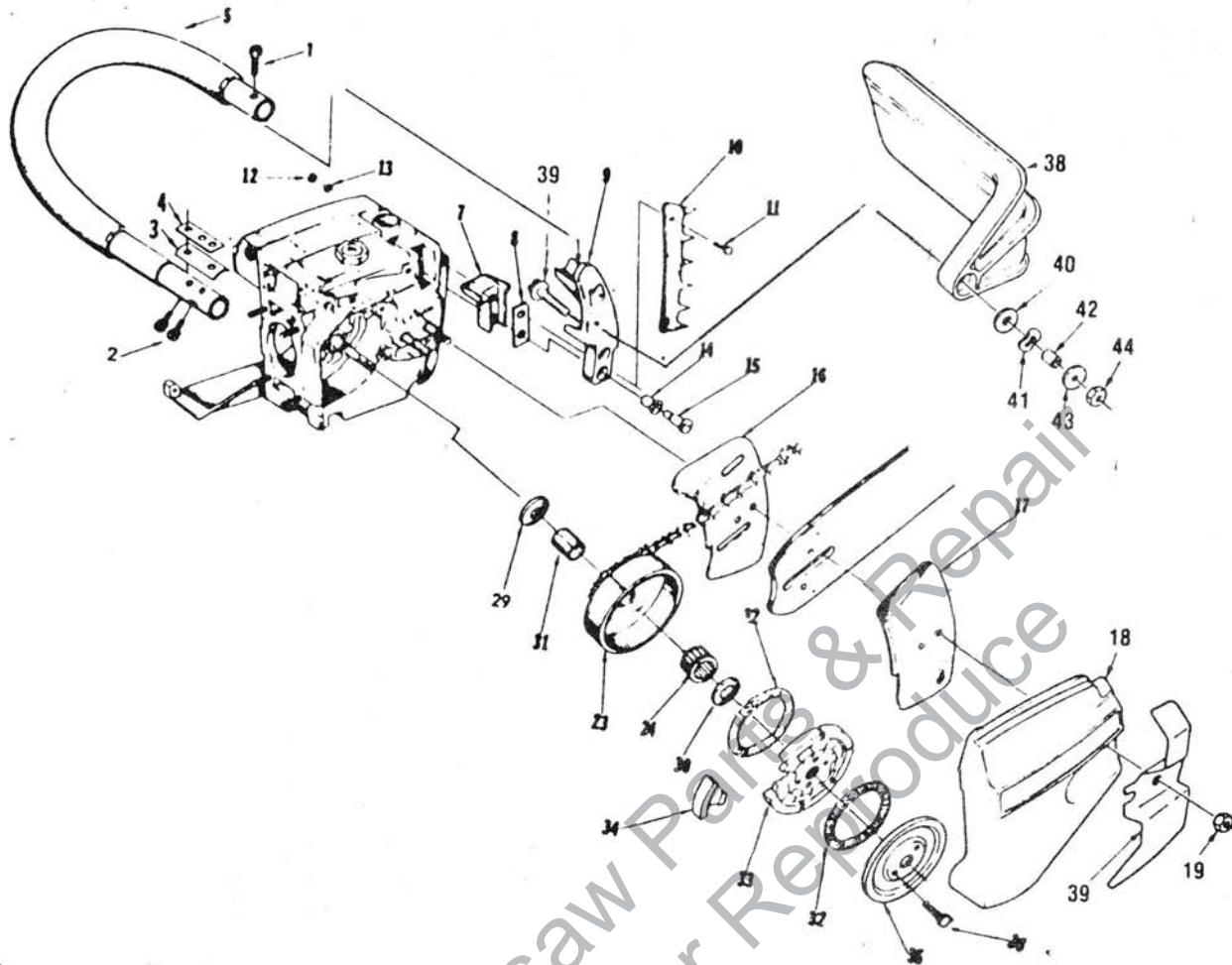
FIGURE 3

| No. | Description                | Part No.   | Qty. | No. | Description               | Part No.  | Qty. |
|-----|----------------------------|------------|------|-----|---------------------------|-----------|------|
| 1   | RETAINER - reed valve      | 63370-A    | 1    | 26  | LEVER - oiler             | 63280-2A  | 1    |
| 2   | VALVE - reed               | 63166-A    | 4    | 27  | SCREW - 10-32 x 1/4       | 80350     | 1    |
| 2A  | SEAT - reed valve          | 63371-B    | 1    | 28  | PIN - throttle lock       | 95671     | 1    |
| 3   | GASKET - seat              | 65483      | 1    | 29  | SPRING - lock             | 58405     | 1    |
| 3A  | SPACER - reed valve seat   | A-67460-1  | 1    | 30  | COVER - throttle handle   | A-78115   | 1    |
| 4   | SCREW -                    | 82174      | 2    |     | Includes: BUSHING - pin   | 59064     | 1    |
| 4A  | SCREW -                    | 82173      | 1    | 31  | SCREW - pan, 8-32 x 1/2   | 80560     | 2    |
| 5   | GASKET - carburetor        | 67540      | 1    | 32  | HANDLE - throttle         | A-68025AT | 1    |
| 7   | LINE - fuel                | 65718-B    | 1    | 33  | Includes: BUMPER - rubber | 56298     | 1    |
| 8   | CARBURETOR,                | A-78272    | 1    | 37  | THROTTLE - trigger        | 58859     | 1    |
| 9   | PIN - cotter               | 86324      | 1    | 38  | RING - retaining          | 58409     | 1    |
| 10  | ROD - choke                | 67201-1    | 1    | 39  | BUSHING                   | 69670     | 2    |
| 11  | NUT - cover mounting       | A-67639    | 1    | 40  | GROMMET                   | 64862     | 1    |
| 12  | COVER - air filter         | 63634-8T   | 1    | 41  | SCREW - hex, 12-24 x 7/8  | 80891     | 1    |
| 13  | RING - retainer            | 58319-A    | 1    | 42  | LEVER - oiler w/shaft     | A-63327   | 1    |
| 14  | FILTER ELEMENT - air       | 69880      | 1    | 43  | GROMMET                   | 78140     | 1    |
| 16  | SCREW - hex, 12-24 x 1/2   | 80821      | 1    | 44  | PLUG, Plastic             | 53572     | 1    |
| 17  | BRACKET, air filter        | A-63339A   | 1    | 45  | SCREW - hex, 8-32 x 1/2   | 80983     | 2    |
| 18  | WASHER - lock, No. 10      | 83046      | 2    | 46  | SCREW - hex, 12-24 x 5/8  | 80676     | 4    |
| 19  | SCREW - hex, 10-32 x 1-7/8 | 70549      | 2    | 47  | VALVE - check (outlet)    | A-65948-1 | 1    |
| 20  | ROD - throttle             | 63266-A    | 1    | 48  | VALVE - check (inlet)     | A-65502   | 1    |
| 21  | BOOT - throttle rod        | 69889      | 1    | 49  | LINE - oil (intake)       | A-78095   | 1    |
| 22  | BODY - oil pump            | 63343-3    | 1    | 50  | LINE - oil                | A-78097   | 1    |
| 23  | SPRING - plunger           | 59293      | 1    | 51  | GASKET - cylinder         | 63778-1   | 1    |
| 24  | PLUNGER - oil pump         | A-57834-14 | 1    | 52  | GASKET - throttle handle  | 63779-C   | 1    |
|     | Includes: "O" RING - shaft | 59074      | 1    | 53  | GRIP, Throttle handle     | 68767     | 1    |
| 25  | "O" RING - plunger         | 74388      | 1    | 54  | GRIP, Throt. Hand. cover  | 68768     | 1    |
|     |                            |            |      | 55  | BUSHING                   | 69671     | 2    |

ALWAYS FURNISH MODEL AND SERIAL NUMBER WHEN ORDERING PARTS.



# HOMELITE SXL-922



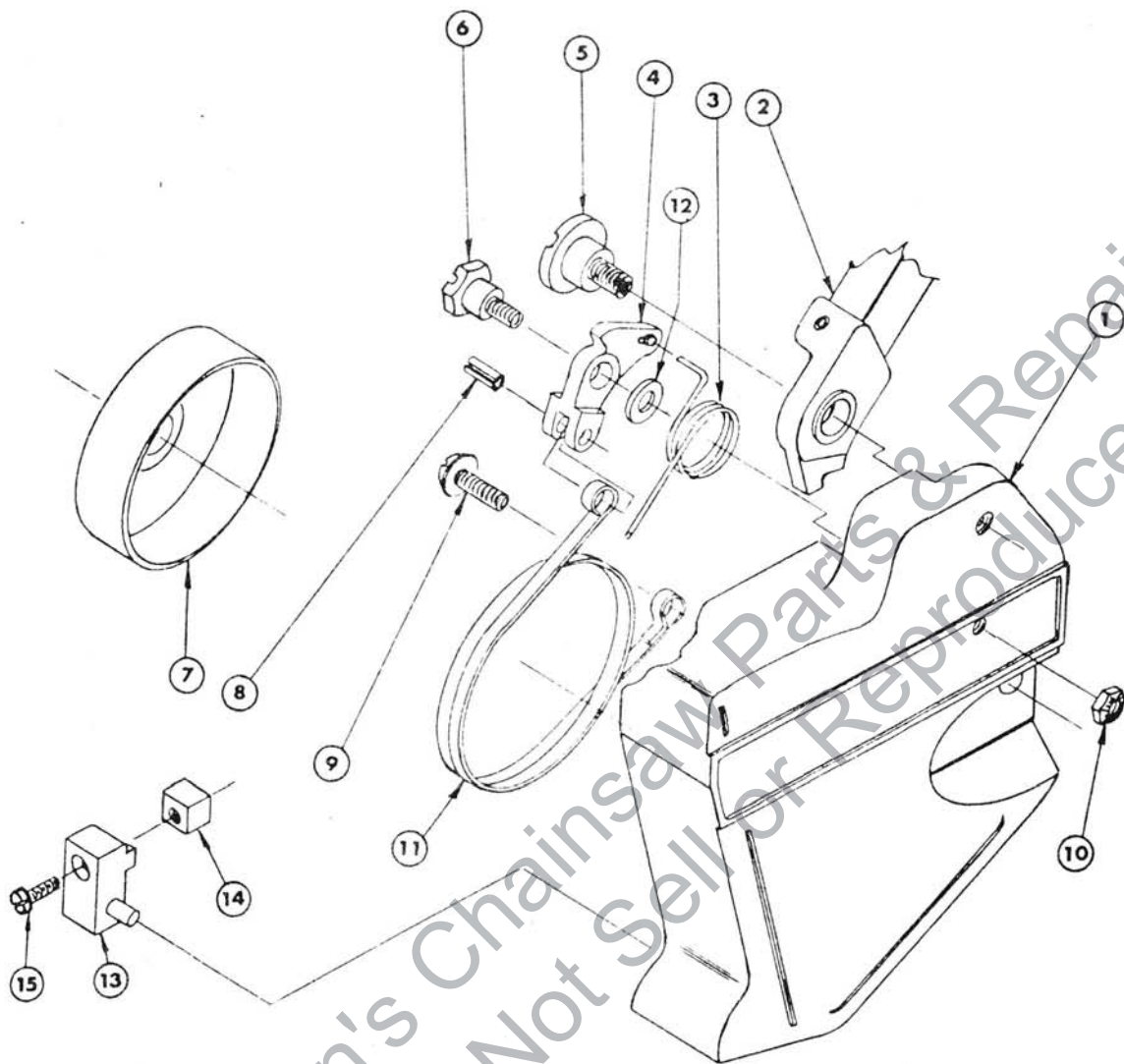
| No. | Description                                  | Part No.  | Qty. | No. | Description                             | Part No.   | Qty. |
|-----|--|-----------|------|-----|---|------------|------|
| 1   | SCREW, fil hd 1/4-20 x 1                     | 82259     | 1    | 19  | NUT-hex, 3/8-16                         | 81089-2    | 2    |
| 2   | SCREW, fil hd 1/4-20 x 1-1/8                 | 78117     | 2    | 23  | SPROCKET & DRUM - 3/8 pitch,<br>8 tooth | A-65885-AT | 1    |
| 3   | SPACER                                       | 68898-1   | 1    | 24  | Includes: BEARING-roller                | 64124      | 1    |
| 4   | PLATE  | 65599     | 1    | 29  | WASHER, thrust                          | 78110      | 1    |
| 5   | HANDLE BAR - Flush cut<br>Wrap around        | A-78109-1 | 1    | 30  | WASHER-thrust                           | 78511      | 1    |
| 7   | MOUNT - Shock                                | A-78457-1 | 1    | 31  | RACE inner                              | 64129-A    | 1    |
| 8   | PLATE, Handle bar bracket                    | 65509     | 1    | 32  | SPRING-clutch                           | 67441      | 2    |
| 9   | BRACKET, Handle bar flush<br>Handle bar Wrap | 65598-A   | 1    | 33  | SPIDER clutch                           | 65723-2A   | 1    |
| 10  | KIT - spiked bumper                          | 68766-8   | 1    | 34  | SHOF-clutch                             | 69754-1C   | 6    |
| 11  | Includes: SCREW, hex, 12-24 x 3/4            | 68766-10  | 1    | 35  | COVER-clutch                            | 12772      | 1    |
| 12  | NUT 12-24                                    | A-63720   | 2    | 36  | SCREW hex, 10 3/2 x 1/2                 | 78333      | 2    |
| 13  | WASHER lock No. 12                           | 80867     | 1    | 37  | CHAIN GUARD - WRAP AROUND               | 68078-1    | 1    |
| 14  | GROMMET                                      | 81068     | 2    | 38  | HAND GUARD                              | 95898-A    | 1    |
| 15  | SCREW-shoulder                               | 83056     | 2    | 39  | SCREW                                   | 80945      | 1    |
| 16  | PLATE - guide bar (inner)                    | 65519     | 2    | 40  | WASHER                                  | 84065      | 1    |
| 17  | PLATE - guide bar (outer)                    | 65521     | 2    | 41  | WASHER                                  | 96757      | 1    |
| 18  | COVER - drivecase                            | 70399     | 1    | 42  | SPACER                                  | 95937-01   | 1    |
|     |  | 70400     | 1    | 43  | WASHER                                  | 95935      | 1    |
|     |  | 67156-14  | 1    | 44  | NUT                                     | 81225      | 1    |

## SPECIAL TOOLS (available on order)

| Part No. | Description                               | Part No. | Description                                       |
|----------|---|----------|---|
| 22828    | PLIERS - piston snap ring                 | 23957    | PLUG - seal installation (crankcase)              |
| 23528    | WRENCH - socket screw (conn. rod)         | 24306    | SHIM - air gap                                    |
| 23955    | PLUG - bearing installation (conn. rod)   | 23420    | PLUG - bearing installation (sprocket)            |
| A-23965  | JACKSCREW -                               | 23956-1  | PLUG - bearing and seal installation (back plate) |
| 23136-1  | BODY - jackscrew                          | 23846-2  | ANVIL - bearing disassembling (back plate)        |
| 24302    | PLUG - seal installation (back plate 910) | 24006-1  | PLATE - crankshaft aligning                       |
| 22820-4  | COLLAR - bearing installation             | 120875   | BIT - posidrive No. 2                             |
| 23846-1  | ANVIL - crankshaft installation           | 24982    | BIT-TORX  |
| 23971    | SLEEVE - seal protecting (crankcase)      | 22772    | PAINT SPRAY CAN - black                           |
| A-122315 | PULLER, back plate                        | 23475    | PAINT SPRAY CAN - red                             |
| 23972    | SLEEVE - seal installation (crankcase)    |          |   |

ALWAYS FURNISH MODEL AND SERIAL NUMBER WHEN ORDERING PARTS.

# HOMELITE SXL-922-SL



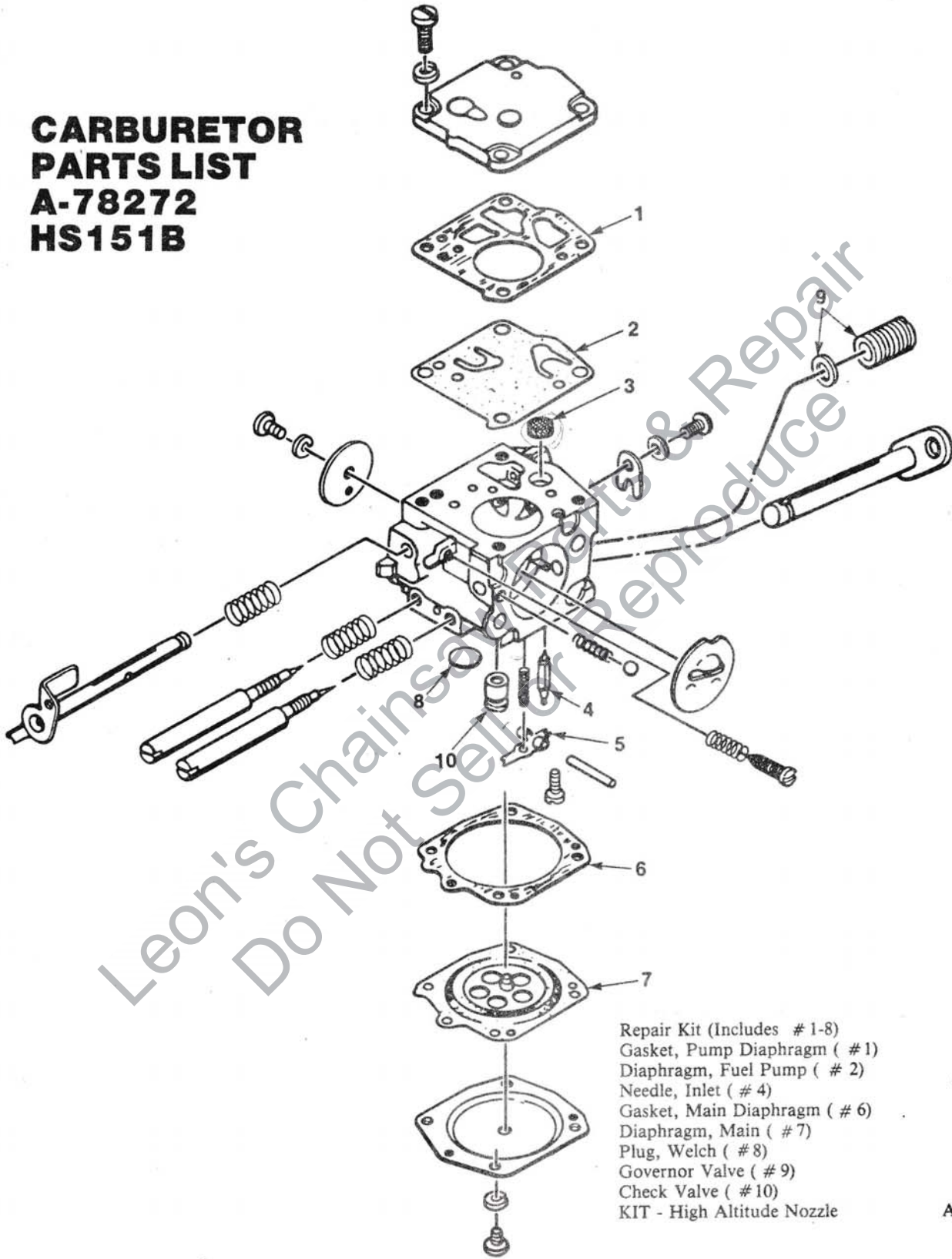
Chain Brake Assembly A-78265 Includes Items 1 to 15.

| No. | Description        | Part No.   | Qty. | No. | Description | Part No. | Qty. |
|-----|--------------------|------------|------|-----|-------------|----------|------|
| 1   | COVER, Drivecase   | 70361-2    | 1    | 9   | SCREW       | 82258    | 1    |
| 2   | LEVER & Hand Guard | A-12952    | 1    | 10  | NUT         | 81108    | 1    |
| 3   | SPRING, Torsion    | 70093-B    | 1    | 11  | BAND, Brake | 70346    | 1    |
| 4   | LEVER, Band        | 12372-2    | 1    | 12  | WASHER      | 12290    | 1    |
| 5   | SHOULDER SCREW     | 12955      | 1    | 13  | BRACKET     | A-78307  | 1    |
| 6   | CAM, Adjustment    | 78200-A    | 1    | 14  | RETAINER    | 78309    | 1    |
| 7   | SPROCKET & DRUM    | A-65885-2T | 1    | 15  | SCREW       | 82250    | 1    |
| 8   | ROLL PIN           | 67911      | 1    |     |             |          |      |

ALWAYS FURNISH MODEL AND SERIAL NUMBER WHEN ORDERING PARTS.

# HOMELITE SXL-922

## CARBURETOR PARTS LIST A-78272 HS151B



|                               |         |
|-------------------------------|---------|
| Repair Kit (Includes # 1-8)   | 95698   |
| Gasket, Pump Diaphragm ( # 1) | 58981   |
| Diaphragm, Fuel Pump ( # 2)   | 58980-R |
| Needle, Inlet ( # 4)          | 59717   |
| Gasket, Main Diaphragm ( # 6) | 58978   |
| Diaphragm, Main ( # 7)        | 58988   |
| Plug, Welch ( # 8)            | 58991   |
| Governor Valve ( # 9)         | 70334   |
| Check Valve ( # 10)           | 69793   |
| KIT - High Altitude Nozzle    | A-69819 |

ALWAYS FURNISH MODEL AND SERIAL NUMBER WHEN ORDERING PARTS.