

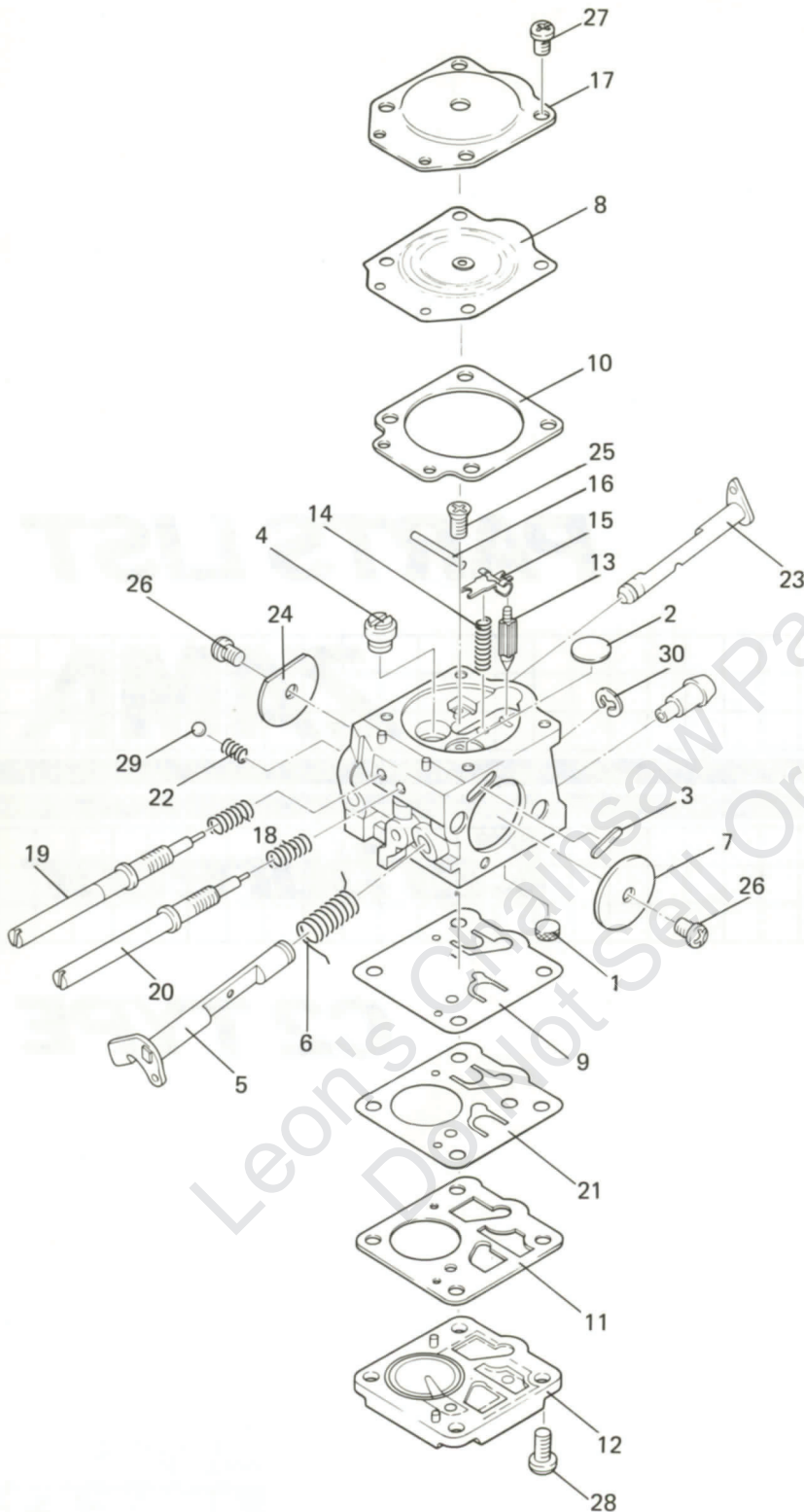
# **PARTS LIST**

|             |  |  |  |  |  |  |  |  |  |
|-------------|--|--|--|--|--|--|--|--|--|
| <b>ZAMA</b> |  |  |  |  |  |  |  |  |  |
|-------------|--|--|--|--|--|--|--|--|--|

|                   |  |  |  |  |  |  |  |  |  |
|-------------------|--|--|--|--|--|--|--|--|--|
| <b>Carburetor</b> |  |  |  |  |  |  |  |  |  |
|-------------------|--|--|--|--|--|--|--|--|--|

## **C2 TYPE**

Leon's Chains & Parts & Repair  
Do Not Sell



| REF. NO. | PART NAME                 |
|----------|---------------------------|
| 1        | Strainer                  |
| 2        | Plug, Welch               |
| 3        | Plug, Welch               |
| 4        | Nozzle Ass'y, Check Valve |
| 5        | Shaft Ass'y, Throttle     |
| 6        | Spring, Throttle Return   |
| 7        | Valve, Throttle           |
| 8        | Diaphragm Ass'y, Metering |
| 9        | Diaphragm, Pump           |
| 10       | Gasket, Metering Chamber  |
| 11       | Gasket, Pump              |
| 12       | Cover, Pump               |
| 13       | Valve, Inlet Needle       |
| 14       | Spring, Metering Lever    |
| 15       | Lever, Metering           |
| 16       | Pin                       |
| 17       | Cover, Metering Chamber   |
| 18       | Spring, Adjust Screw      |
| 19       | Screw, Main Mixture       |
| 20       | Screw, Idle Mixture       |
| 21       | Retainer, Pump Diaphragm  |
| 22       | Spring, Friction          |
| 23       | Shaft Ass'y, Choke        |
| 24       | Valve, Choke              |
| 25       | Screw (Pin)               |
| 26       | Screw (Valve)             |
| 27       | Screw (Metering Cover)    |
| 28       | Screw (Pump Cover)        |
| 29       | Ball, Steel               |
| 30       | E-Ring                    |

| CARBURETOR | CUSTOMER  | CUSTOMER NO. | EQUIPMENT | MODEL              |
|------------|-----------|--------------|-----------|--------------------|
| 20-01      | McCULLOCH | 93789        | CHAIN SAW | SP81, PM850        |
| 20-01A     | McCULLOCH | 213823       | CHAIN SAW | SP81, PM850, PM800 |
| C2-M3A     | McCULLOCH | 214763       | CHAIN SAW | SP81, PM850, PM800 |
| 20-02      | HOMELITE  | A-94953      | CHAIN SAW | XL-12, Super XL    |

| REF. NO. | PART NAME                             | 20-01      | 20-01A     | C2-M3A     | 20-02      |
|----------|---------------------------------------|------------|------------|------------|------------|
|          | Venturi . . . . .                     | 18 mm      | 18 mm      | 18 mm      | 15 mm      |
|          | Repair Kit, Major ♦ . . . . .         | K500022    | K500022    | K500022    | KR-8       |
|          | Repair Kit, Minor ★ . . . . .         | K500052    | K500052    | K500052    | K500043    |
|          | Gasket & Diaphragm Kit ● . . . . .    | ♦ K015020  | ♦ K015020  | ♦ K015020  | ♦ K015005  |
| 1        | ★ Strainer . . . . .                  | ♦ 0004001  | ♦ 0004001  | ♦ 0004001  | ♦ 0004001  |
| 2        | ★ Plug, Welch . . . . .               | ♦ 0005002  | ♦ 0005002  | ♦ 0005002  | ♦ 0005002  |
| 3        | ★ Plug, Welch . . . . .               | -----      | 0005004    | 0005004    | -----      |
| 4        | Nozzle Ass'y, Check Valve . . . . .   | ♦ A007009S | ♦ A007009S | ♦ A007009S | ♦ A007009  |
| 5        | Shaft Ass'y, Throttle . . . . .       | A011004    | A011004    | A011004    | A011007    |
| 6        | Spring, Throttle Return . . . . .     | 0013003    | 0013003    | 0013003    | ♦ 0013007  |
| 7        | Valve, Throttle . . . . .             | 0014003    | 0014003    | 0014003    | 0014003    |
| 8        | ★ Diaphragm Ass'y, Metering . . . . . | ● A015005  | ● A015005  | ● A015005  | ● A015005  |
| 9        | ★ Diaphragm, Pump . . . . .           | ● 0015004  | ● 0015004  | ● 0015004  | ● 0015004  |
| 10       | ★ Gasket, Metering Chamber . . . . .  | ● 0016005  | ● 0016005  | ● 0016005  | ● 0016005  |
| 11       | ★ Gasket, Pump . . . . .              | ● 0016004  | ● 0016004  | ● 0016004  | ● 0016004  |
| 12       | Cover, Pump . . . . .                 | 0017004    | 0017004    | 0017004    | 0017004    |
| 13       | ★ Valve, Inlet Needle . . . . .       | ♦ 0018001  | ♦ 0018001  | ♦ 0018001  | ♦ 0018001  |
| 14       | ★ Spring, Metering Lever . . . . .    | ♦ 0019003  | ♦ 0019003  | ♦ 0019003  | ♦ 0019003  |
| 15       | ★ Lever, Metering . . . . .           | ♦ 0020003  | ♦ 0020003  | ♦ 0020003  | ♦ 0020003  |
| 16       | Pin . . . . .                         | ♦ 0021002  | ♦ 0021002  | ♦ 0021002  | ♦ 0021002  |
| 17       | Cover, Metering Chamber . . . . .     | 0028004    | 0028004    | 0028004    | 0028004    |
| 18       | Spring, Adjust Screw . . . . .        | 0029001    | 0029001    | 0029001    | ♦ 0029001  |
| 19       | Screw, Main Mixture . . . . .         | 0030003S   | 0030003*   | 0030003    | ♦ 0030005  |
| 20       | Screw, Idle Mixture . . . . .         | 0031004    | 0031004    | 0031004    | ♦ 0031006  |
| 21       | ★ Retainer, Pump Diaphragm . . . . .  | ● 0037002  | ● 0037002  | ● 0037002  | -----      |
| 22       | Spring, Friction . . . . .            | 0038001    | 0038001    | 0038001    | 0038001    |
| 23       | Shaft Ass'y, Choke . . . . .          | A041001    | A041001    | A041001    | A041003    |
| 24       | Valve, Choke . . . . .                | 0043001    | 0043001    | 0043001    | 0043001    |
| 25       | Screw (Pin) . . . . .                 | ♦ 14803006 | ♦ 14803006 | ♦ 14803006 | ♦ 14803006 |
| 26       | Screw (Valve) . . . . .               | 156030045  | 156030045  | 156030045  | 156030045  |
| 27       | Screw (Metering Cover) . . . . .      | 16303008   | 16303008   | 16303008   | 16303008   |
| 28       | Screw (Pump Cover) . . . . .          | 16304008   | 16304008   | 16304008   | 16304008   |
| 29       | Ball, Steel . . . . .                 | 19290030   | 19290030   | 19290030   | 19290030   |
| 30       | E-Ring . . . . .                      | 19500040   | 19500040   | 19500040   | 19500040   |

\* Use 0030018 on Model 20-01 marked the following lot number on the metering cover.  
2001A912A, 2001A004A, 2001A007A

Leon's Chainsaw Parts & Repair  
Do Not Sell Or Rproduce

CARBURETOR  
DIVISION



SHINAGAWA DIECASTING CO., LTD.

Japan

U.S. Subsidiary

**U.S.A. ZAMA, INC.**

2909 Oregon Court, Suite C-4, Torrance, CA 90503  
Phone: 213-320-6227  
Telefax: 213-618-9845

**ZAMA EUROPE**

17 Rue Des Renoncles, 1341 Ceroux (Ottignie), Belgium.  
Phone: 10-615615, Telefax: 10-615617