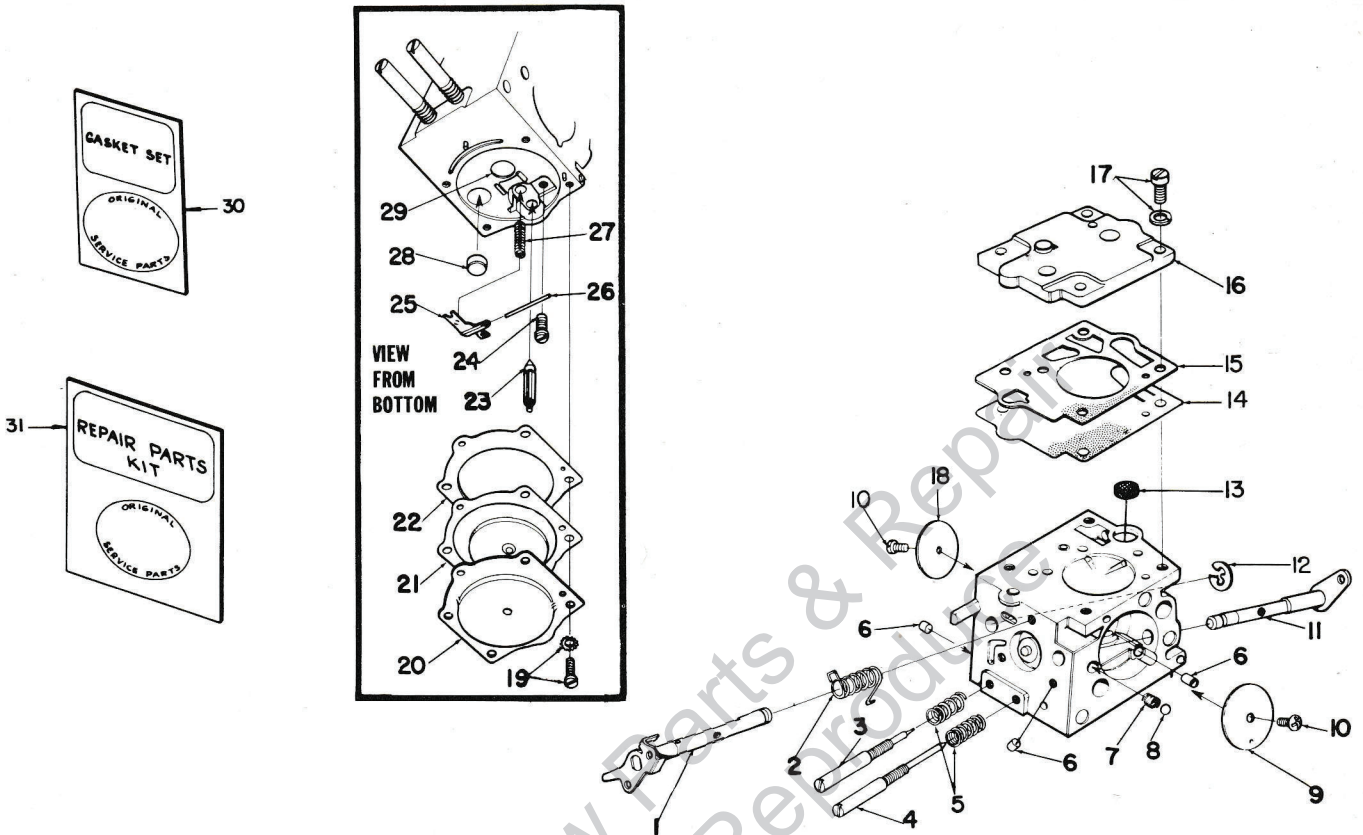


CARBURETOR PARTS

Homelite Chain Saw

A-65962
&
A-65963



WALBRO - SDC-8, A-65962
SDC-9, A-65963

No.	Part No.	Description	Qty.	No.	Part No.	Description	Qty.
*1	67007	THROTTLE SHAFT ASSEMBLY	1	17	64694	SCREW - fuel pump cover	4
*2	67006 ‡	SPRING - throttle return	1	18 †	64226	VALVE - throttle	1
*3	§ 67004 ‡	NEEDLE - idle	1	* § 67003	VALVE - throttle	1	
*	† 67009 ‡	NEEDLE - idle	1	19	64689	SCREW ASSEMBLY	4
*4	§ 67011 ‡	NEEDLE - high speed	1	20	64224	COVER - metering diaphragm	1
*	† 67010 ‡	NEEDLE - high speed	1	21	64235 ‡	METERING DIAPHRAGM ASSEMBLY	1
5	64236 ‡	SPRING - needle adjusting	2	22	64231 ‡	GASKET - metering diaphragm	1
6	64692	PLUG - limiting	3	23	64229	VALVE - inlet needle	1
7	64238	SPRING - choke friction	1	24	64688 ‡	SCREW - metering lever pin	1
8	60051	BALL - choke friction	1	25	64245 ‡	LEVER - metering	1
9	64228	VALVE - choke	1	26	64244 ‡	PIN - metering lever	1
10	64693 ‡	SCREW - valve	2	*27	67005 ‡	SPRING - metering lever	1
11	64227	CHOKE SHAFT ASSEMBLY	1	28	65481 ‡	PLUG - welch (idle)	1
12	64221	RING - throttle shaft retaining	1	29	65482 ‡	PLUG - welch (main)	1
13	64243 ‡	SCREEN - fuel inlet	1	*30	67019	GASKET SET	
14	64233 ‡	DIAPHRAGM - fuel pump	1	*31 §	67020	REPAIR KIT	
*15	67008 ‡	GASKET - fuel pump	1	* †	67021	REPAIR KIT	
*16	67002	COVER - fuel pump	1		65386	REPAIR KIT - check valve	

ACCESSORY: 24173 - DRIVER - check valve installation
Used with 65386 Repair Kit

- ‡ Included in Repair Kits
- § Used on A-65962 only
- † Used on A-65963 only
- * Denotes new parts

HOMELITE

A **textron** DIVISION

PORT CHESTER, N. Y., U. S. A.