

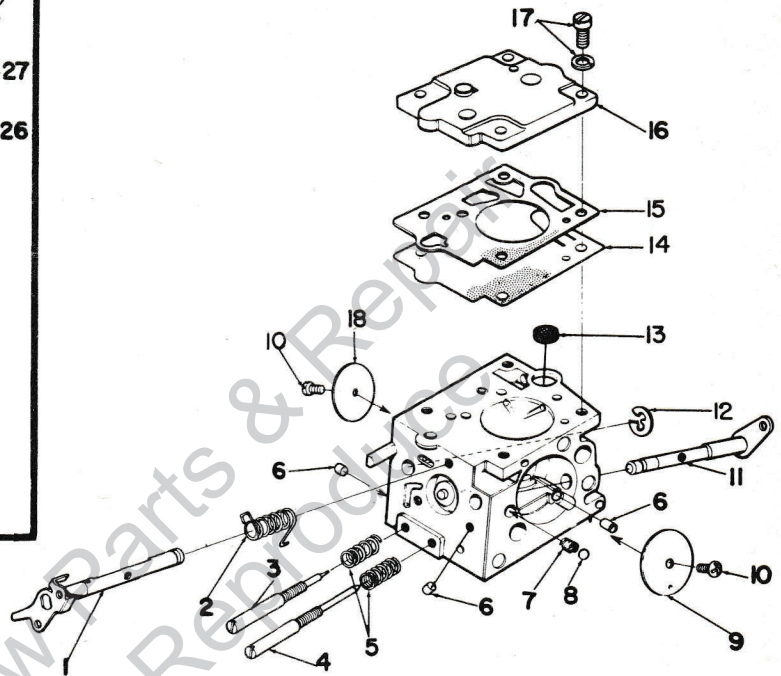
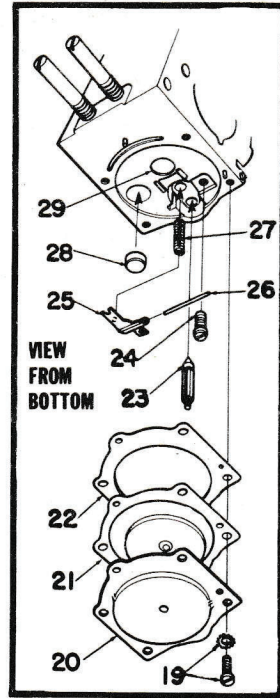
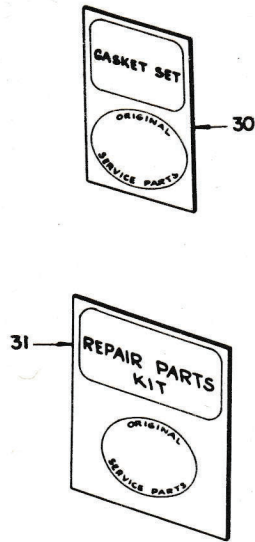
# CARBURETOR PARTS

Homelite Chain Saw

A-68407

SUPERSEDES

A-65962



Used on XL Auto  
 XL 12  
 SXL Auto  
 SXL 12 Auto  
 Super XL  
 Super XL 15

A-68407 (SDC-29)

No.	Description	Part No.	Qty.
1	THROTTLE SHAFT ASSEMBLY	67007	1
2	SPRING-throttle return	† 67006	1
3	NEEDLE-idle	† 67004	1
4	NEEDLE-high speed	† 67011	1
5	SPRING-needle adjusting	† 64236	2
6	PLUG-limiting	64692	3
7	SPRING-choke friction	64238	1
8	BALL-choke friction	60051	1
9	VALVE-choke	64228	1
10	SCREW-valve	† 64693	2
11	CHOKE SHAFT ASSEMBLY	64227	1
12	RING-throttle shaft retaining	64221	1
13	SCREEN-fuel inlet	† 64243	1
14	DIAPHRAGM-fuel pump	† 64233	1
15	GASKET-fuel pump	† 67008	1
16	COVER-fuel pump	67002	1
17	SCREW-fuel pump cover	64694	4
18	VALVE-throttle	67003	1

No.	Description	Part No.	Qty.
19	SCREW ASSEMBLY	64689	4
20	COVER-metering diaphragm	64224	1
21	METER DIAPHRAGM ASSEMBLY	† 64235	1
22	GASKET-metering diaphragm	† 64231	1
23	VALVE-inlet needle	64229	1
24	SCREW-metering lever pin	† 64688	1
25	LEVER-metering	64245	1
26	PIN-metering lever	† 64244	1
27	SPRING-metering lever	† 67005	1
28	PLUG-welch (idle)	† 30818	1
29	PLUG-welch (main)	† 65482	1
30	GASKET SET	67019	
31	REPAIR KIT	67020	
	REPAIR KIT-check valve	§ 65386	
	FUEL LINE	§ 68155	1
*	GROMMET-(for fuel tank)	§ 68046	1
*	BUSHING-(for throttle handle)	§ 68164	1

† Included in Repair Kit

§ (not shown)- Included in A-68407

\* Denotes new parts

ACCESSORY: 24173-DRIVER-check valve installation used with 65386 Repair Kit

**HOMELITE®**

Textron  
 DIVISION

PORT CHESTER, N.Y. U.S.A.

PRINTED IN U.S.A.

PART NO. 24500

1170