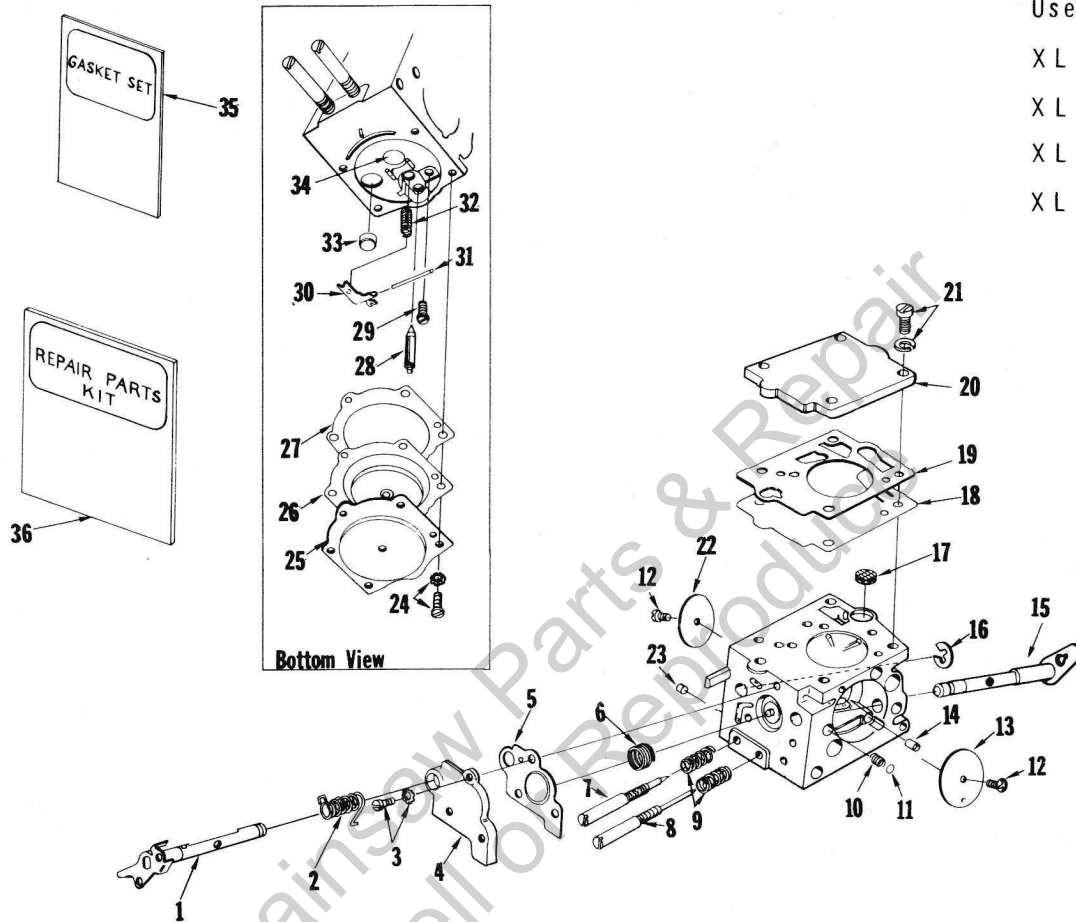


CARBURETOR PARTS

Homelite Chain Saw

A-67880



Used on
 XL 921
 XL 923
 XL 924
 XL 923 FP

A-67880

SDC 27

No.	Description	Part No.	Qty.
1	SHAFT-throttle	64225	1
2	SPRING-throttle return	††67929	1
3	SCREW-accelerator pump	67930	3
4	COVER-accelerator pump	64222	1
5	DIAPHRAGM-accelerator pump cover	††67188	1
6	SPRING-accelerator pump	††64240	1
7	NEEDLE-idle	††67009	1
8	NEEDLE-high speed	††67010	1
9	SPRING-needle adjusting	††64236	2
10	SPRING-choke friction	64238	1
11	BALL-choke friction	60051	1
12	SCREW-valve	††64693	2
13	VALVE-choke	64228	1
14	JET-idle air	64690	1
15	SHAFT-choke	67109	1
16	RING-throttle shaft retaining	64221	1
17	SCREEN-fuel inlet	††64243	1
18	DIAPHRAGM-fuel pump	††64233	1

No.	Description	Part No.	Qty.
19	GASKET-fuel pump	†67008	1
20	COVER-fuel pump	64223	1
21	SCREW-fuel pump cover	64694	4
22	VALVE-throttle	64226	1
23	PLUG-limiting	64692	1
24	SCREW ASSEMBLY	64689	4
25	COVER-metering diaphragm	64224	1
26	METERING DIAPHRAGM ASSEMBLY	††64235	1
27	GASKET-metering diaphragm	†64231	1
28	VALVE-inlet needle	††64229	1
29	SCREW-metering lever pin	††64688	1
30	LEVER-metering	††64245	1
31	PIN-metering lever	††64244	1
32	SPRING-metering lever	††67928	1
33	PLUG-welch (idle) 3/8"	††30818	1
34	PLUG-welch (main) 5/16"	††65482	1
35	GASKET SET	††67019	1
36	REPAIR KIT	67965	1
	REPAIR KIT-check valve	67966	1

† Included in Gasket Set

†† Included in #67965 Repair Kit

HOMELITE

A **Textron** DIVISION, PORT CHESTER, N.Y. 10573