

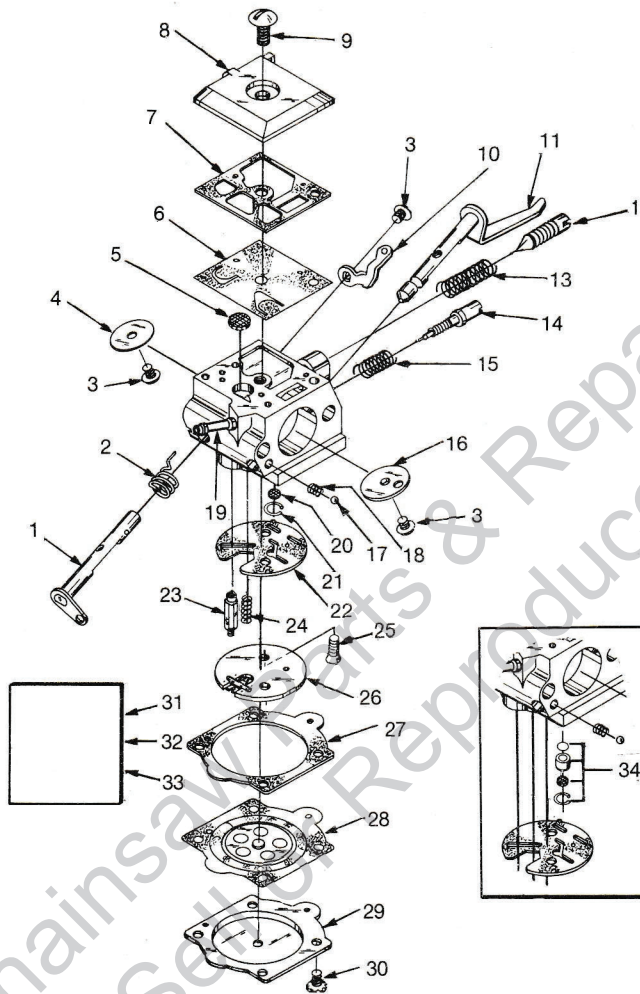
# CARBURETOR PARTS

Homelite Chain Saw

ASSEMBLY NUMBER  
A-94053

Printed in U.S.A. Part No. I7247

E1874YY



## WALBRO CARBURETOR MODEL HDC-48A

No.	Description	Part No.	Qty.	No.	Description	Part No.	Qty.
1	SHAFT— Throttle	68636	1	22	‡GASKET— Circuit	67367-A	1
2	†SPRING— Throttle return	67376	1	23	†NEEDLE— Inlet	64229	1
3	†SCREW— Valve	67372	3	24	†SPRING— Metering lever	94058	1
4	VALVE— Throttle	69961	1	25	SCREW— Circuit plate	67375	2
5	SCREEN— Fuel inlet	64243	1	26	PLATE— Circuit w/metering lever	94057	1
6	†DIAPHRAGM— Fuel pump	67370	1	27	‡*GASKET— Metering diaphragm	64231	1
7	‡*GASKET— Fuel pump	67368	1	28	†DIAPHRAGM— Metering	67371	1
8	COVER— Fuel pump	67361	1	29	COVER— Metering diaphragm	64224	1
9	SCREW— Fuel pump cover	67374	1	30	SCREW— Metering cover	64689	4
10	STOP— Throttle lever	70342	1	31	†GASKET SET	67369-A	1
11	SHAFT— Choke	69251	1	32	REPAIR KIT	94056	1
12	SCREW— Idle adjustment	70220	1	33	KIT— Gasket diaphragm	70655	1
13	SPRING— Needle adjustment	12199	1	34	KIT— Check valve repair, accessory	93910	1
14	†NEEDLE— Main adjustment	70657	1		Includes:		
15	†SPRING— Needle adjusting	67377	1		VALVE— Check		1
16	VALVE— Choke	69428	1		SEAT— Valve		1
17	†BALL— Check valve	60051	1		SCREEN— Check valve	67381	1
18	†SPRING— Choke friction	64238	1		RING— Screen retaining	67360	1
19	FITTING— Fuel inlet	69365	1				
20	†SCREEN— Check valve	67381	1				
21	†RING— Screen retaining	67360	1				

† Contents of Repair Kit

\* Contents of Gasket, Diaphragm Kit

‡ Contents of Gasket Set

# HOMELITE TEXTRON

Homelite Division of Textron Inc.