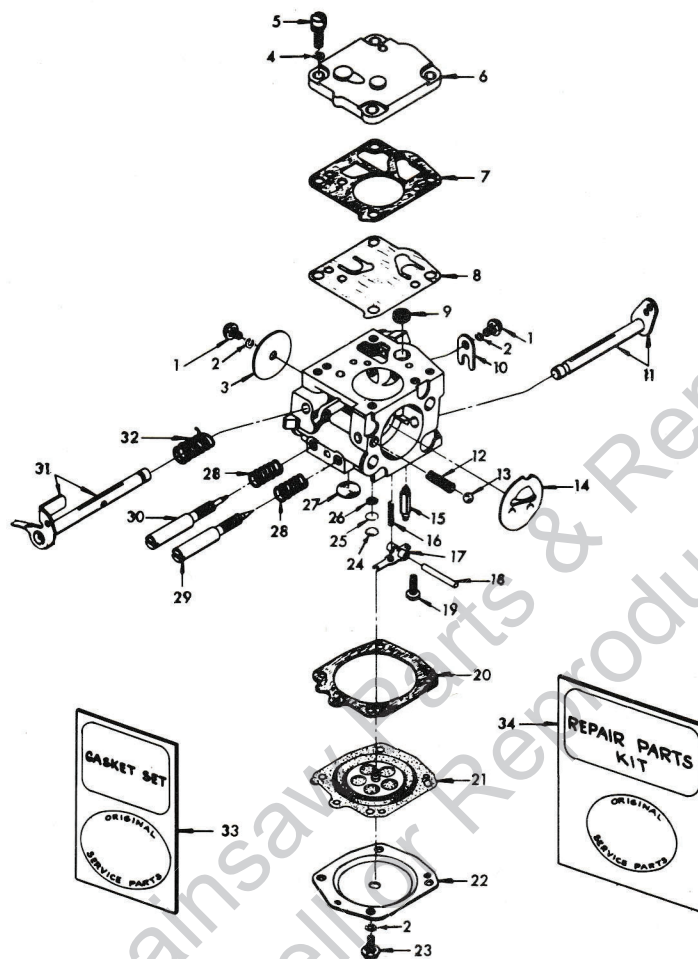


# CARBURETOR PARTS

Homelite Chain Saw

A-68363

Used on  
 XL 12  
 XL Auto  
 SXL Auto  
 SXL 12 Auto



A-68363 (HS-96A)

No.	Description	Part No.	Qty.	No.	Description	Part No.	Qty.
1	SCREW-rd. hd., 4-40 x 3/16	80264	2	18	PIN-fulcrum	58977	1
2	WASHER-lock, #4	83008-1	6	19	SCREW-oval hd., 4-40 x 5/16	58992	1
3	THROTTLE SHUTTER	25050	1	20	GASKET-metering diaphragm	58978	1
4	WASHER-lock, #6	83024	4	21	DIAPHRAGM-main	58988	1
5	SCREW-fil, 6-32 x 3/8	80275	4	22	COVER-diaphragm	58979	1
6	COVER-pump	58975	1	23	SCREW-rd. hd., 4-40 x 1/4	80591	4
7	GASKET-fuel pump	58981	1	24	PLUG-Welch 3/16, aluminum	58994	1
8	DIAPHRAGM-fuel pump	58980-R	1	25	RING-retaining	57819	1
9	SCREEN	58974	1	26	SCREEN-channel	59500	1
10	CLIP-throttle shaft	58982	1	27	PLUG-Welch 11/32	58991	1
11	CHOKE SHAFT & LEVER	58990	1	28	SPRING-adjusting screw	73075	2
12	SPRING-choke friction	73264	1	29	NEEDLE-main adjusting	58986	1
13	BALL-choke friction	25527	1	30	NEEDLE-idle adjusting	58985	1
14	SHUTTER-choke	58984	1	31	THROTTLE SHAFT & LEVER	A-63345	1
15	NEEDLE-inlet	59717	1	32	SPRING-throttle return	59460	1
16	SPRING-inlet tension	55759	1	33	GASKET SET	67866	1
17	LEVER-inlet control	59716	1	34	REPAIR KIT	67869	1

A-68363 Carburetor replaces A-58767-C on units above S/N 3351316 and is an alternate for A-68407 (SDC - 29).

**HOMELITE®**

A **textron** DIVISION, PORT CHESTER, N.Y. 10573