

# CARBURETOR PARTS

Homelite Chain Saw

A-63448

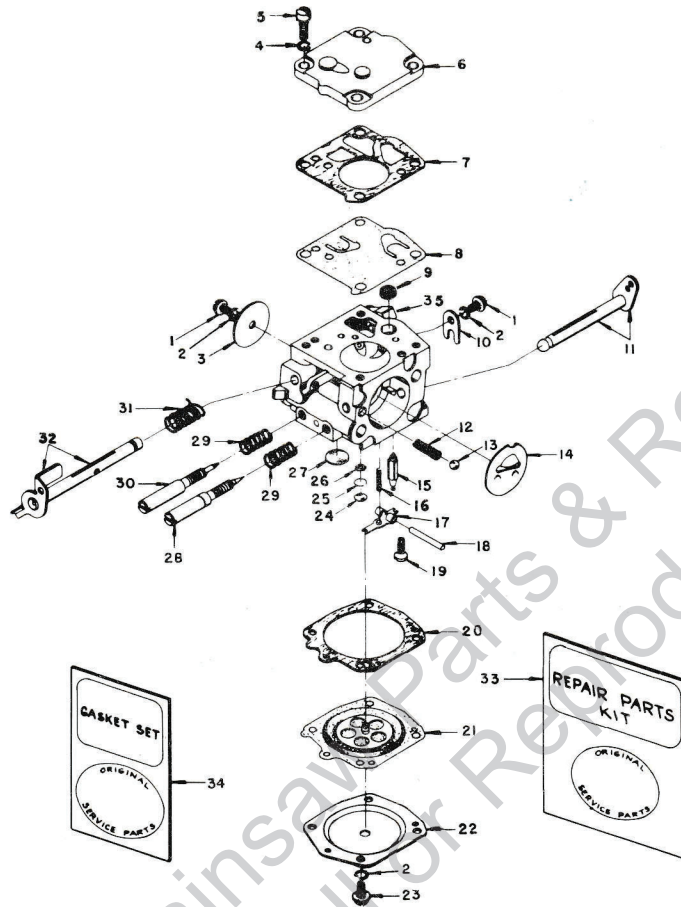
HS-26A

USED ON:

XL-700

XL-800

XL-800 AM



No.	Description	Part No.	Qty.	No.	Description	Part No.	Qty.
1	SCREW-rd., 4-40 x 3/16	† 80264	2	19	SCREW-4-40 x 5/16	† 58992	1
2	WASHER-lock, #4	† 83008-1	6	20	GASKET-diaphragm	58978	1
3	SHUTTER-throttle	25050	1	21	DIAPHRAGM-main	† 58988	1
4	WASHER-lock, #6	83024	4	22	COVER-diaphragm	58979	1
5	SCREW-fil, 6-32 x 3/8	80275	4	23	SCREW-rd., 4-40 x 1/4	80591	4
6	COVER-pump	58975	1	24	PLUG-expansion	† 58994	1
7	GASKET-fuel pump	58981	1	25	RING-retaining	57819	1
8	DIAPHRAGM-fuel pump	† 58980-R	1	26	SCREEN-channel	59500	1
9	SCREEN-fuel inlet	† 58974	1	27	PLUG-expansion	† 58991	1
10	CLIP-throttle shaft	58982	1	28	NEEDLE-main adjusting	63676	1
11	SHAFT & LEVER-choke	58990	1	29	SPRING-needle	† 73075	2
12	SPRING-choke friction	73264	1	30	NEEDLE-idle adjusting	63677	1
13	BALL-choke friction	25527	1	31	SPRING-throttle return	† 59460	1
14	SHUTTER-choke	58984	1	32	SHAFT & LEVER-throttle	A-63345	1
15	NEEDLE-inlet	59717	1	33	REPAIR KIT	67869	1
16	SPRING-inlet	† 55759	1	34	GASKET SET	† 67866	1
17	LEVER-inlet	† 59716	1		GASKET-& DIAPHRAGM SET	63711	1
18	PIN-control lever	† 58977	1	*35	CONNECTION-fuel fitting	69360	1

† Included in Repair Kit

\* Denotes new parts