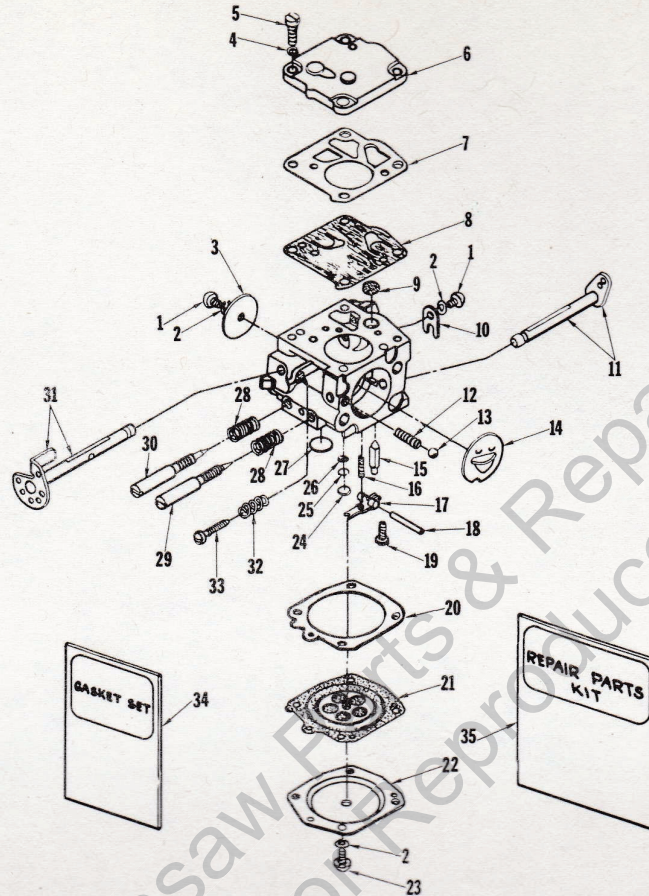


CARBURETOR PARTS

A-50670



MODEL HS-109A

No.	Description	Part No.	Qty.	No.	Description	Part No.	Qty.
1	SCREW-4-40 x 3/16	† 80264	2	19	SCREW-4-40 x 5/16	† 58992	1
2	WASHER-#4	83005-1	6	20	GASKET-diaphragm	58978	1
3	THROTTLE SHUTTER	25050	1	21	DIAPHRAGM-main	† 58988	1
4	WASHER- #6	83024	4	22	COVER-diaphragm	58979	1
5	SCREW-6-32 x 3/8	80275	4	23	SCREW-4-40 x 1/4	80591	4
6	COVER-pump	58975	1	24	PLUG-Welch, 3/16	† 58994	1
7	GASKET-fuel pump	58981	1	25	RING-retaining	57819	1
8	DIAPHRAGM-fuel pump	† 58980-R	1	26	SCREEN-channel	59500	1
9	SCREEN	† 58974	1	27	PLUG-Welch, 11/32	† 58991	1
10	CLIP-throttle shaft	58982	1	28	SPRING-adjusting screw	† 73075	2
11	CHOKE OIL & LEVER	58990	1	29	NEEDLE-main adjusting	58986	1
12	SPRING-choke friction	73264	1	30	NEEDLE-idle adjusting	58985	1
13	BALL-choke friction	25527	1	31	THROTTLE SHAFT & LEVER	58989	1
14	SHUTTER-choke	58984	1	32	SPRING-idle speed	† 58973	1
15	NEEDLE-inlet	59717	1	33	SCREW-idle stop	† 58993	1
16	SPRING-inlet tension	† 55759	1	34	GASKET SET	† 67866	1
17	LEVER-inlet control	† 59716	1	35	REPAIR KIT	67869	1
18	PIN-fulcrum	† 58977	1				

† Included in Repair Kit

PRINTED IN U.S.A.
E1175HEC

HOMELITE

Textron
DIVISION
PORT CHESTER, N.Y. U.S.A.

PART NO. 24557