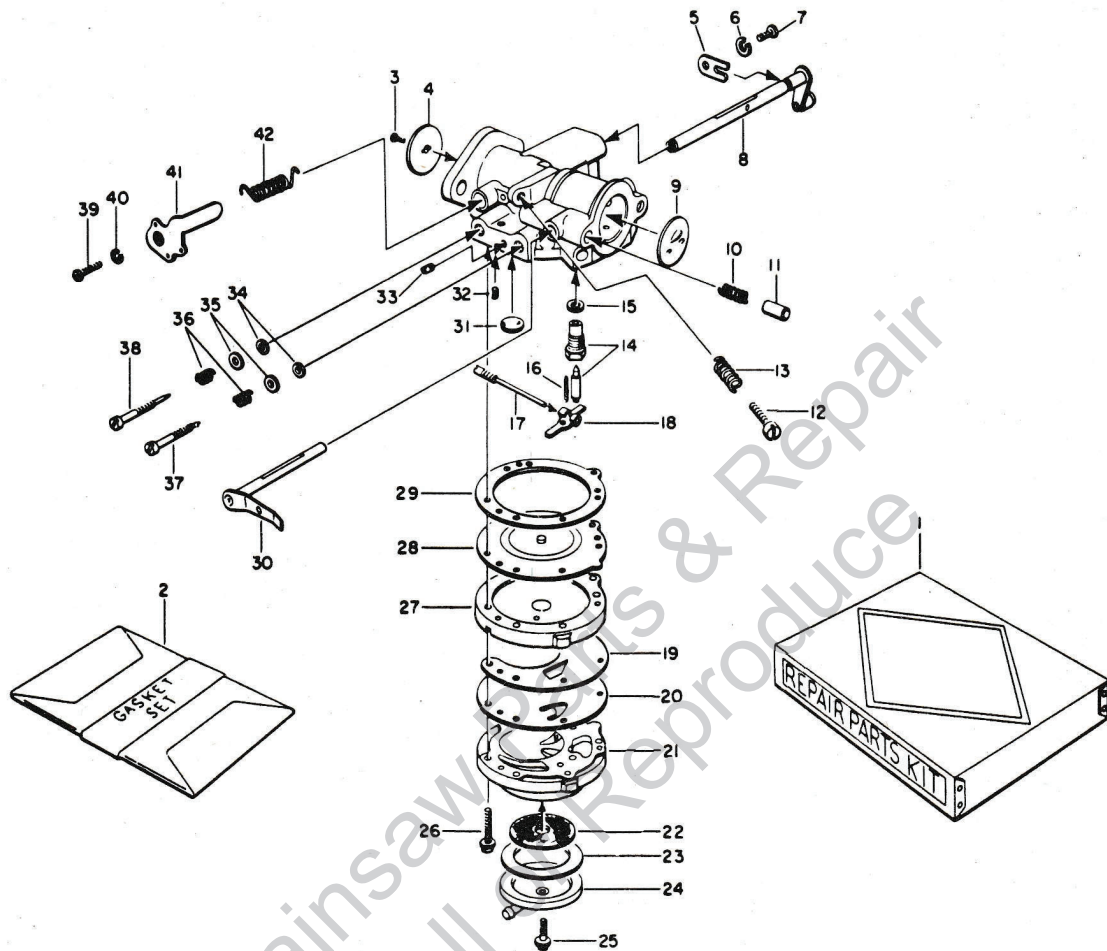


CARBURETOR PARTS

Homelite Chain Saw

Assembly Number
A-56760



TILLOTSON MODEL HL82A

Index No.	Part No.	Description	No. Required	Index No.	Part No.	Description	No. Required
1	77392	REPAIR PARTS KIT (RK-420)	1	21	55748	COVER - fuel pump	1
2	** 57919	GASKET SET (GS-145)	1	22	55742	SCREEN - fuel inlet	1
	A-56760	CARBURETOR - Til. HL-82A composed of items 3 thru 42		23	* 55751	GASKET - fuel inlet	1
3	** 80465	SCREW-throttle shutter	1	24	55750	TURRET - fuel inlet	1
4	75532	SHUTTER - throttle	1	25	55756	SCREW - turret	1
5	73086	CLIP - throttle	1	26	55316	SCREW - body, w/lockwasher	6
6	83000	WASHER - lock #8	1	27	55749	COVER - main diaphragm	1
7	73088	SCREW - flathd., 8 - 32 x 5/16"	1	28	* 57829	DIAPHRAGM - main	1
8	A-56769-1	THROTTLE SHAFT	1	29	* 57824	GASKET - main diaphragm	1
9	75734	SHUTTER - choke	1	30	A-77400	CHOKE SHAFT AND LEVER	1
10	73264	SPRING - choke friction	1	31	30818	PLUG - Welch (idle channel)	1
11	71494	PIN - choke friction	1	32	55763	PLUG - main channel	1
12	** 71509	SCREW - idle stop	1	33	73067	PLUG - early model	1
13	** 28064	SPRING - idle stop screw	1		55746	LEAD SHOT - late model	1
14	**A-55761	INLET NEEDLE AND SEAT Includes	1	34	* 75733	PACKING - adjustment screw	2
15	55344	GASKET - inlet seat	1	35	75735	WASHER - adjustment screw	2
16	** 55759	SPRING - control lever	1	36	73075	SPRING - adjustment screw	2
17	A-55762	PIN - control lever	1	37	** 75736	SCREW - idle mixture adjustment	1
18	** 55747	LEVER - control	1	38	** 75739	SCREW - main mixture adjustment	1
19	55881	GASKET - pump diaphragm	1	39	** 80006-1	SCREW - rd. hd., 4-36 x 1/4	1
20	* 58193	DIAPHRAGM - pump	1	40	** 83008	WASHER - lock, #4	1
				41	77247-1	LEVER - throttle stop	1
				42	75731	SPRING - throttle return	1

* Included in Gasket Set

EBC - Use #56175 in place of #75731

** Included in Repair Parts Kit

HOMELITE

A **Textron** DIVISION

PORT CHESTER, NEW YORK

10M-6-63

Printed in U. S. A.

Part No. 23537-A

Revised 6-63

Supersedes Part No. 23537