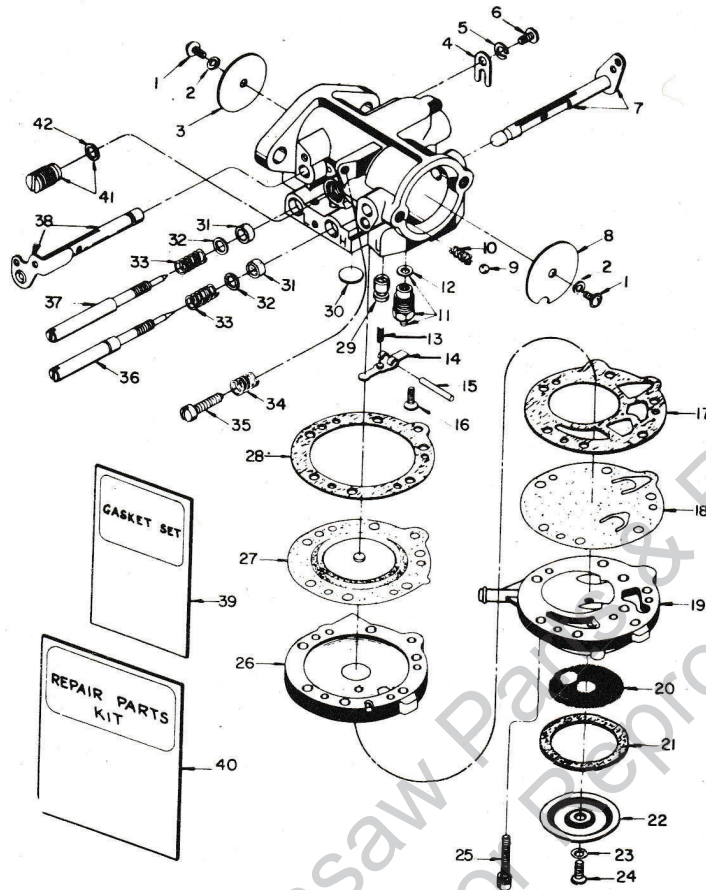


CARBURETOR PARTS

Homelite Chain Saw

A-65717

HL-261A



USED ON:

- XP 1000
- XP 1100
- 2000 Automatic
- 2000 E Automatic
- Super XP 1020 W
- Super XP 1020 W Automatic
- Super XP 1130 W Automatic

No.	Description	Part No.	Qty.
1	SCREW-rd. hd., 4-40 x 1/4	† 80591	2
2	WASHER-lock	† 83008-1	2
3	SHUTTER-throttle	64623	1
4	CLIP-throttle shaft	73086	1
5	WASHER-lock, #8	83000	1
6	SCREW-flat hd., 8-32 x 5/16	73088	1
7	SHAFT & LEVER-choke	A-64627	1
8	SHUTTER-choke	64625	1
9	BALL-check, 5/32" diameter	25527	2
10	SPRING-choke friction	73264	1
11	NEEDLE & SEAT	A-64628	1
12	GASKET-inlet seat	55344	1
13	SPRING-control lever	† 65603	1
14	LEVER-inlet control	† 55747	1
15	PIN-fulcrum	† 64622	1
16	SCREW-fulcrum pin retaining	† 58992	1
17	GASKET-pump diaphragm	58529	1
18	DIAPHRAGM-fuel pump	† 57729	1
19	BODY-fuel pump	59265	1
20	SCREEN-fuel inlet	† 58527	1
21	GASKET-pump strainer	55751	1

* Denotes new parts

† Denotes contents of Repair Parts Kit

No.	Description	Part No.	Qty.
22	COVER-strainer	58526	1
23	GASKET-strainer cover screw	28098	1
24	SCREW-pump cover	† 58525	1
25	SCREW-body w/lockwasher	55316	6
26	COVER-main diaphragm	A-58533	1
27	DIAPHRAGM-main control	† 57829	1
28	GASKET-cover diaphragm	57824	1
29	NOZZLE-main	A-77429	1
30	PLUG-expansion	† 30818	1
31	PACKING-adjusting screw	75733	2
32	WASHER-adjusting screw	75735	2
33	SPRING-adjusting needle	† 73075	2
34	SPRING-throttle stop	† 28064	1
35	SCREW-idle stop	† 71509	1
36	NEEDLE-adjusting (main mixture)	65604	1
37	VALVE-needle (idle mixture)	58680	1
38	SHAFT & LEVER-throttle	A-64626	1
*39	GASKET & PACKING SET	† 68657	1
*40	REPAIR PARTS KIT	68663	1
41	VALVE-governor	A-65891	1
42	GASKET	74060	1
	GASKET & DIAPHRAGM SET	63590	1