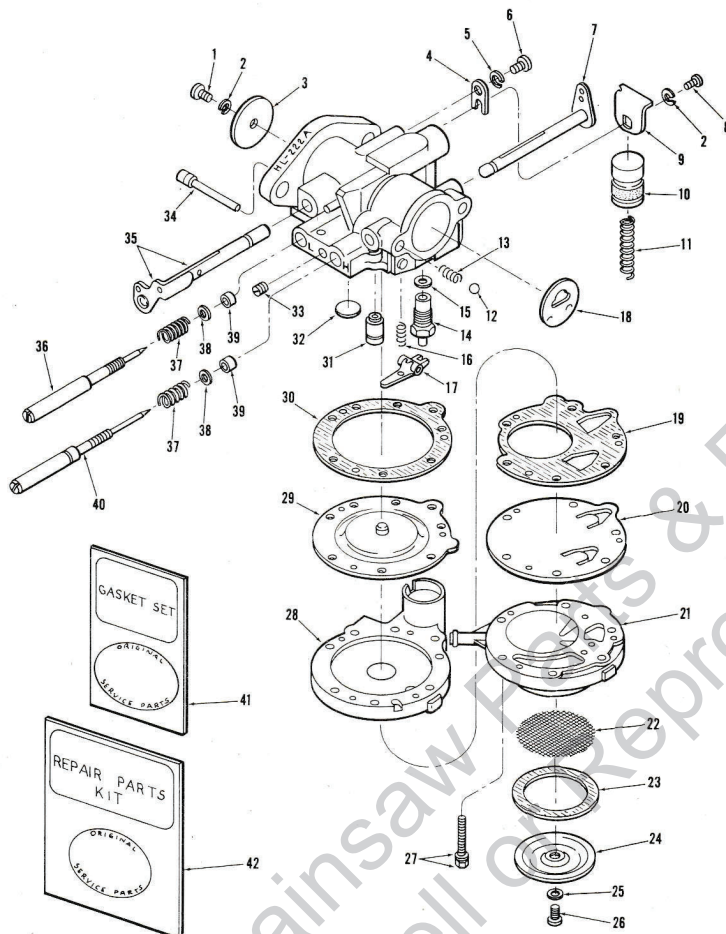


CARBURETOR PARTS

Homelite Chain Saw

A-63585



Used on:

- XP 1020
- XP 1020 AO
- XP 1130
- XP 1020 Auto
- Super XP 1020
- Super XP 1020 Auto
- Super XP 1130-1 Auto
- 1130-G Auto
- 1050 Auto

A-63585

MODEL HL-222A

No.	Description	Part No.	Qty.	No.	Description	Part No.	Qty.
1	SCREW-rd., 4-40 x 1/4	† 80591	1	22	SCREEN-fuel	† 58527	1
2	WASHER-lock, no. 4	† 83008-1	2	23	GASKET	55751	1
3	SHUTTER-throttle	77430	1	24	COVER-strainer	58526	1
4	CLIP-throttle shaft	73086	1	25	GASKET-cover	28098	1
5	WASHER-lock, no. 8	83000	1	26	SCREW-cover	† 58525	1
6	SCREW-flat, 8-32 x 5/16	73088	1	27	SCREW-fil., 6-32 x 13/16 w/lockwasher	55316	6
7	SHAFT and LEVER-choke	63698	1	28	COVER-diaphragm	63692	1
8	SCREW-rd., 4-36 x 1/4	80006-1	1	29	DIAPHRAGM	† 57829	1
9	CAM-accelerating pump	64357	1	30	GASKET-diaphragm	57824	1
10	PUMP-accelerating	† A- 63696	1	31	NOZZLE-main	A- 77429	1
11	SPRING-pump	† 63694	1	32	PLUG-expansion	† 30818	1
12	BALL	25527	1	33	PLUG-channel	73067	1
13	SPRING-choke friction	73264	1	34	PIN-inlet lever	† A- 55762	1
14	NEEDLE and SEAT-inlet	A- 64779	1	35	SHAFT and LEVER-throttle	63697	1
	Includes:			36	NEEDLE- idle adjusting	58680	1
15	GASKET	55344	1	37	SPRING-adjusting needle	† 73075	2
16	SPRING-tension	† 77426	1	38	WASHER-adjusting needle	75735	2
17	LEVER-inlet control	† 55747	1	39	PACKING-adjusting needle	75733	2
18	SHUTTER-choke	77427	1	40	NEEDLE-main adjusting	58536	1
19	GASKET-fuel pump	58529	1	41	GASKET SET	† 68657	1
20	DIAPHRAGM-fuel pump	† 57729	1	42	REPAIR PARTS KIT	68664	1
21	BODY-fuel pump	59265	1		GASKET and DIAPHRAGM SET	63590	1

† Included in REPAIR PARTS KIT.

