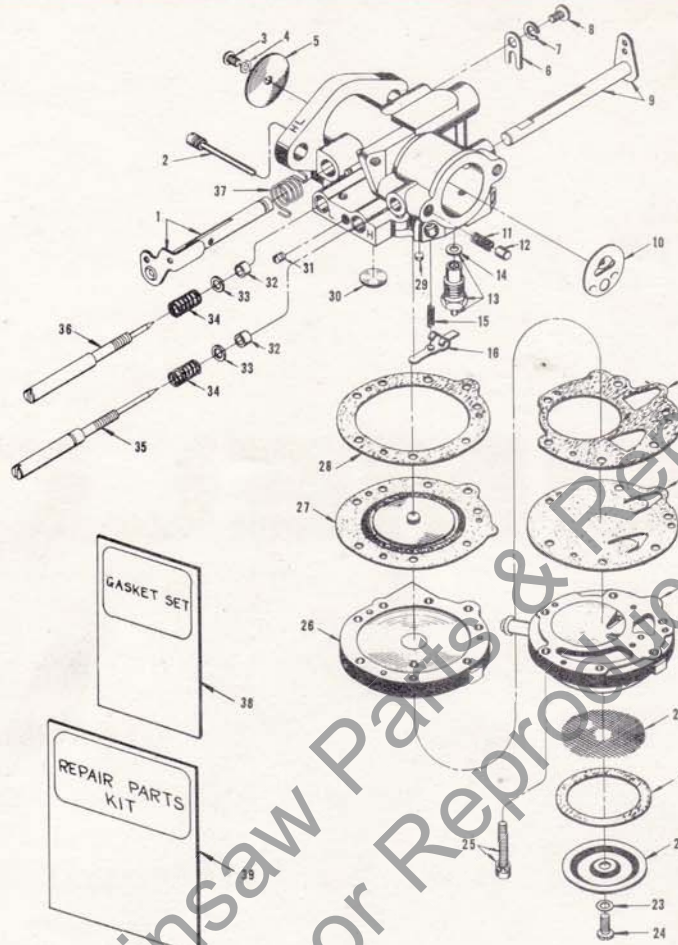


# CARBURETOR PARTS

Homelite Chain Saw

Assembly Number

A-59928



HILLOTSON MODEL HL-197A

Index No.	Part No.	Description	No. Req'd.	Index No.	Part No.	Description	No. Req'd.
1	77487	THROTTLE SHAFT & LEVER .....	1	21	55751	GASKET - strainer .....	1
2	*A-55762	PIN - fulcrum .....	1	22	58526	COVER - strainer .....	1
3	*80591	SCREW - rd. hd. 4-40 x 1/4 .....	1	23	28098	GASKET - cover screw .....	1
4	*83008	WASHER - lock, #1 .....	1	24	*58525	SCREW - cover retaining .....	1
5	77430	SHUTTER - throttle .....	1	25	55316	SCREW - fil. hd., 6-32 x 13/16 .....	6
6	73086	CLIP - throttle shaft .....	1			w/lock washer	
7	83000	WASHER - lock, #8 .....	1	26	A-58533	COVER - diaphragm .....	1
8	73088	SCREW - flat hd. 8-32 x 5/16 .....	1	27	*57829	DIAPHRAGM - main .....	1
9	A-58532	CHOKE SHAFT & LEVER .....	1	28	57824	GASKET - diaphragm cover .....	1
10	77427	SHUTTER - choke .....	1	29	*55763	PLUG - cup .....	1
11	73264	SPRING - choke friction .....	1	30	*30818	PLUG - welch .....	1
12	71494	PLUNGER .....	1	31	73067	SCREW PLUG - drain .....	1
13	*A-58524	INLET NEEDLE & SEAT .....	1	32	75733	PACKING - adjusting needle .....	2
		Includes		33	75735	WASHER - adjusting needle .....	2
14	55344	Gasket .....	1	34	*73075	SPRING - adjusting needle .....	2
15	*55759	SPRING - tension .....	1	35	*58536	NEEDLE - main adjusting .....	1
16	*55747	LEVER - inlet control .....	1	36	*58680	NEEDLE - idle adjusting .....	1
17	58529	GASKET - fuel pump .....	1	37	59268	SPRING - throttle return .....	1
18	*58193	DIAPHRAGM - fuel pump .....	1	38	*58534	GASKET SET .....	1
19	59265	BODY - fuel pump .....	1	39	58681	REPAIR PARTS KIT .....	1
20	*58527	SCREEN - strainer .....	1				

\*Included in REPAIR PARTS KIT

# HOMELITE

A **Textron** DIVISION

PORT CHESTER, NEW YORK

PRINTED IN U.S.A.

Part No. 23887