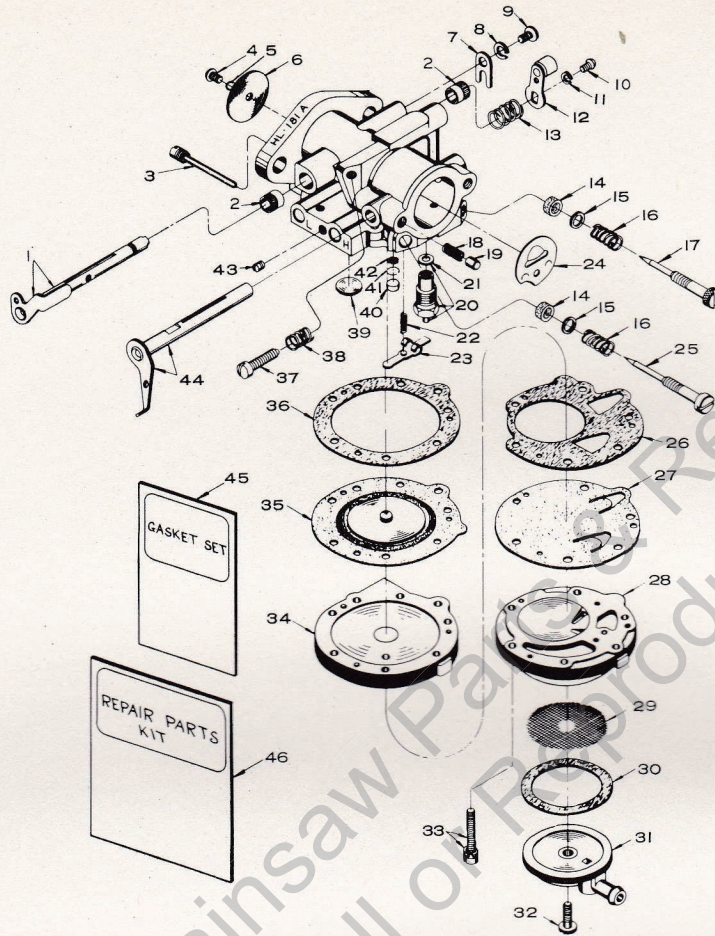


CARBURETOR PARTS

Homelite Chain Saw

Assembly Number
A - 59401



TILLOTSON MODEL HL-181A

Index No.	Part No.	Description	Qty. Req'd.	Index No.	Part No.	Description	Qty. Req'd.
1	A-75624-A	THROTTLE SHAFT & LEVER	1	24	57827	SHUTTER - choke	1
2	72812	BUSHING	2	25	*59499	SCREW - idle adjustment	1
3	*A-55762	PIN - fulcrum	1	26	58529	GASKET	1
4	*80465	SCREW-rd. hd., 6-32 x 1/4	1	27	*58193	DIAPHRAGM - fuel pump	1
5	*83024	WASHER - lock, #6	1	28	55748	BODY - fuel pump	1
6	75532	SHUTTER - throttle	1	29	*55752	SCREEN - strainer	1
7	73086	CLIP - throttle shaft	1	30	55751	GASKET - strainer	1
8	83000	WASHER - lock, #8	1	31	55750	COVER - strainer	1
9	73088	SCREW-flat hd., 8-32 x 5/16	1	32	*55756	SCREW - strainer cover	1
10	*80006-1	SCREW-rd. hd., 4-36 x 1/4	1	33	55316	SCREW - fil. hd., 6-32 x 13/16" w/lock washer	6
11	*83008-1	WASHER - lock, #4	1	34	*57923	COVER-main diaphragm	1
12	A-75528-1	LEVER - throttle w/roller	1	35	*57829	DIAPHRAGM - main	1
13	*56175	SPRING - throttle friction	1	36	57824	GASKET - diaphragm	1
14	75733	PACKING - adjusting screw	2	37	*71509	SCREW - idle stop	1
15	75735	WASHER - adjusting screw	2	38	*28064	SPRING - idle stop screw	1
16	*73075	SPRING - adjusting screw	2	39	30818	WELCH PLUG - 3/8"	1
17	*56644	SCREW-main adjustment	1	40	*57820	PLUG - channel	1
18	73264	SPRING - choke friction	1	41	57819	RING - retaining	1
19	71494	PIN - choke friction	1	42	59500	SCREEN - channel	1
20	*A-57728	INLET NEEDLE & SEAT Includes	1	43	73067	PLUG - screw, 8-32	1
21	55344	GASKET	1	44	A-75740	CHOKE SHAFT & LEVER	1
22	*55759	SPRING - control lever	1	45	57919	GASKET SET	1
23	*55747	LEVER - inlet control	1	46	59503	REPAIR PARTS KIT	1

*Included in REPAIR PARTS KIT