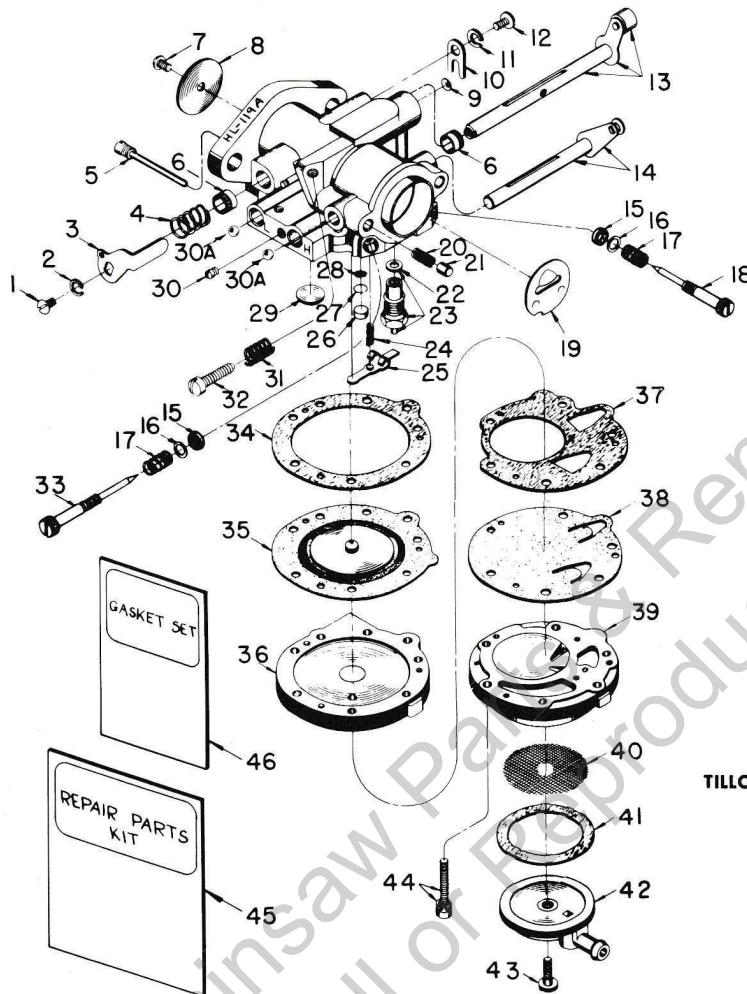


CARBURETOR PARTS

Homelite Chain Saw

Assembly Number
A-57806



TILLOTSON MODEL HL-119A

Index No.	Part No.	Description	No. Required
	A-57806	CARBURETOR - complete Includes:	
1	*80006	SCREW - round hd., 4-36 x 1/4"	1
2	*83008-1	WASHER - lock, #4	1
3	56224	LEVER - throttle stop	1
4	*56630	SPRING	1
5	*A-55762	FULCRUM PIN	1
6	72812	BUSHING	2
7	*80465	SCREW - round hd., 6-32 x 1/4"	1
8	75532	SHUTTER - throttle	1
9	56642	PLUG - Welch, 3/16" dia.	1
10	73086	CLIP - throttle	1
11	83000	WASHER - lock, #8	1
12	73088	SCREW - flat, hd., 8-32 x 5/16"	1
13	A-56641-1	THROTTLE SHAFT AND LEVER	1
14	57922	CHOKE SHAFT AND LEVER	1
15	75733	PACKING	2
16	75735	WASHER	2
17	*73075	SPRING	2
18	*56644	SCREW - main adjustment	1
19	57287	SHUTTER - choke	1
20	73264	SPRING	1
21	71494	PLUNGER	1
22	55344	GASKET	1
23	*A-57728	INLET NEEDLE & SEAT	1

Index No.	Part No.	Description	No. Required
24	*55759	SPRING	1
25	*55747	LEVER - inlet valve control	1
26	*57820	PLUG - chamel	1
27	57819	RING - retaining	1
28	57818	SCREEN	1
29	*30818	PLUG - Welch, 3/8" dia.	1
30	73067	SCREW - headless plug, 8-32	1
30A	55746	SLOT LEAD	2
31	*28064	SPRING	1
32	*71509	SCREW - fil., hd., 8-32 x 9/16"	1
33	*56627	SCREW - idle adjustment	1
34	57824	GASKET - diaphragm cover	1
35	*57829	DIAPHRAGM	1
36	57923	COVER - diaphragm	1
37	55881	GASKET - fuel pump	1
38	*58193	DIAPHRAGM - fuel pump	1
39	55748	BODY - fuel pump	1
40	*55752	SCREEN - strainer	1
41	55751	GASKET - strainer	1
42	55750	COVER - strainer	1
43	*55756	SCREW - strainer cover	1
44	55316	SCREW - fil., hd., 6-32 x 13/16" w/lockwasher	6
45	57920	REPAIR PARTS KIT	
46	*57919	GASKET SET	
	63950	GASKET & DIAPHRAGM SET	

* Included in Repair Parts Kit 57920

PRINTED IN U.S.A.

PART NO. 23589
467 REV.1

HOMELITE® A **Textron** DIVISION • PORT CHESTER, NEW YORK