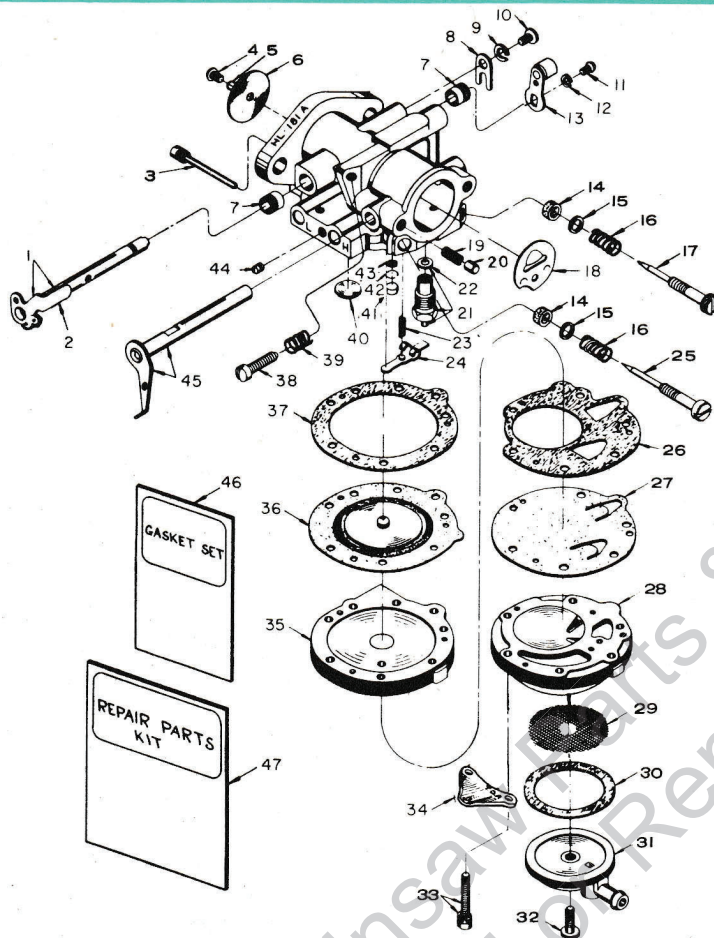


CARBURETOR PARTS

Homelite Chain Saw

Assembly Number

A-58102



Used on

Wiz 55
S/Wiz 55, 66 & 80
775-G2, 775-GA 2
S 77-1, 520-L, 622
7-19, 7-21, 660-G, 700-D
700-G, 707-D, 707-G, 770-D
770-G, 770-GS, 7-63
EZ-6, 775-D1, 775-DA1
775-G1, 775-GA 1

HL-117C (A-58102)

No.	Description	Part No.	Qty.	No.	Description	Part No.	Qty.
1	THROTTLE SHAFT & LEVER	A-75624-A	1	26	GASKET-fuel pump	58529	1
	Includes: LEVER-throttle stop	77247-1A	1	27	DIAPHRAGM-fuel pump	† 57729	1
3	PIN-fulcrum	† A-55762	1	28	BODY-fuel pump	55748	1
4	SCREW-rd., 6-32 x 1/4	† 80465	1	29	SCREEN-strainer	† 55752	1
5	WASHER-lock, #6	† 83024	1	30	GASKET-strainer	55751	1
6	SHUTTER-throttle	75532	1	31	COVER-strainer	55750	1
7	BUSHING	72812	2	32	SCREW-strainer cover	† 55756	1
8	CLIP-throttle shaft	73086	1	33	SCREW-fil, 6-32 x 13/16, w/lockwasher	55316	6
9	WASHER-lock, #8	83000-1	1	34	BRACKET-spring	63048	1
10	SCREW-flat, 8-32 x 5/16	73088	1	35	COVER-diaphragm	57923	1
11	SCREW-rd., 4-36 x 1/4	† 80006-1	1	36	DIAPHRAGM-main	† 57829	1
12	WASHER-lock, #4	† 83008-1	1	37	GASKET-diaphragm cover	57824	1
13	LEVER-throttle w/roller	A-75528-1	1	38	SCREW-idle stop	71509	1
14	PACKING-adjusting screw	75733	2	39	SPRING-idle stop screw	28064	1
15	WASHER-adjusting screw	75735	2	40	WELCH PLUG-3/8"	† 30818	1
16	SPRING-adjusting screw	† 73075	2	41	PLUG-channel	† 57820	1
17	SCREW-main adjustment	† 58021	1	42	RING-retaining	57819	1
18	SHUTTER-choke	57827	1	43	SCREEN	57818	1
19	SPRING	73264	1	44	SCREW-PLUG-8-32 (early)	73067	2
20	PLUNGER	71494	1		LEAD SHOT-(late models)	55746	
21	INLET NEEDLE & SEAT	† A-57728	1	45	CHOKE SHAFT & LEVER	A-75740	1
22	Includes: GASKET	55344	1	46	GASKET SET	† 57919	1
23	SPRING-inlet control lever	† 55759	1	47	REPAIR PARTS KIT	57987	1
24	LEVER-inlet control	† 55747	1		GASKET & DIAPHRAGM SET	63590	1
25	SCREW-idle adjustment	† 56627	1		† Included in Repair Parts Kit		

NOTE: Throttle opening spring #75756 is packaged with assembled carburetor. When installing the A-58102 carburetor as replacement on saws without governor, replace friction spring #56175 with throttle opening spring #75756. An anchor pin is provided for this spring.

HOMELITE

A Textron
DIVISION

PORT CHESTER, N.Y. U.S.A.

PART NO. 23621-A Rev. 1

PRINTED IN U.S.A.

12 70