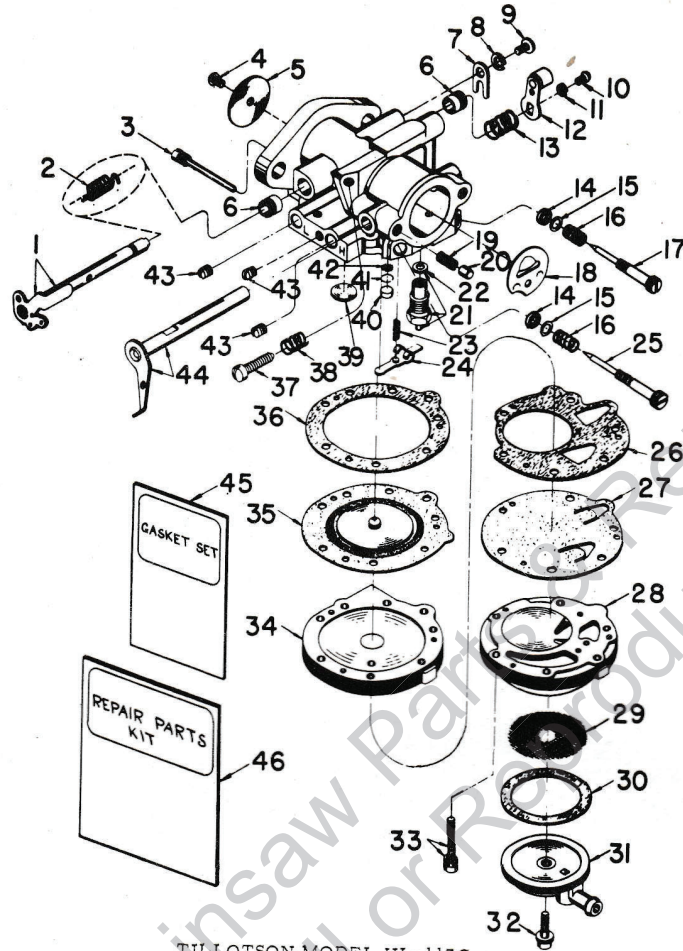


CARBURETOR PARTS

Homelite Chain Saw

Assembly Number

A-58102



TILLOTSON MODEL HL-117C

Index No.	Part No.	Description	No. Required	Index No.	Part No.	Description	No. Required
1	A-75624	THROTTLE SHAFT & LEVER	1	23	* 55759	SPRING - inlet control lever	1
2	* 75756	SPRING - throttle opening (not attached) See Note Below	1	24	* 55747	LEVER - inlet control	1
3	* A-55762	PIN - fulcrum	1	25	* 56627	SCREW - idle adjustment	1
4	* 80012	SCREW - rd. hd., 6-32 x 3/16"	1	26	55881	GASKET - fuel pump	1
5	75532	SHUTTER - throttle	1	27	* 58193	DIAPHRAGM - fuel pump	1
6	72812	BUSHING	2	28	55748	BODY - fuel pump	1
7	73086	CLIP - throttle shaft	1	29	* 55752	SCREEN - strainer	1
8	83000-1	WASHER - lock #8	1	30	55751	GASKET - strainer	1
9	73088	SCREW - flat hd., 8-32 x 5/16"	1	31	55750	COVER - strainer	1
10	* 80006-1	SCREW - rd. hd., 4-36 x 1/4"	1	32	* 55756	SCREW - strainer cover	1
11	* 83008	WASHER - lock, #4	1	33	55316	SCREW - fil. hd., 6-32 x 13/16" w/lock washer	6
12	A-75528-1	LEVER - throttle w/roller	1	34	57923	COVER - diaphragm	1
13	* 56175	SPRING - friction (governor equipped saws)	1	35	* 57829	DIAPHRAGM - main	1
14	75733	PACKING - adjusting screw	2	36	57824	GASKET - diaphragm cover	1
15	75735	WASHER - adjusting screw	2	37	71509	SCREW - idle stop	1
16	* 73075	SPRING - adjusting screw	2	38	28064	SPRING - idle stop screw	1
17	* 58021	SCREW - main adjustment	1	39	* 30818	WELCH PLUG - 3/8"	1
18	57827	SHUTTER - choke	1	40	* 57820	PLUG - channel	1
19	73264	SPRING	1	41	57819	RING - retaining	1
20	71494	PLUNGER	1	42	57818	SCREEN	1
21	* A-57728	INLET NEEDLE & SEAT Includes	1	43	73067	SCREW PLUG - 8-32 early	3
22	55344	GASKET	1	44	55746	LEAD SHOT late models	1
				45	A-75740	CHOKE SHAFT & LEVER	1
				46	* 57919	GASKET SET	1
					57987	REPAIR PARTS KIT	1

NOTE: Throttle opening spring #75756 is packaged with assembled carburetor. When installing the A-58102 carburetor as replacement on saws without governor, replace friction spring #56175 with throttle opening spring #75756. An anchor pin is provided for this spring.

* Included in REPAIR PARTS KIT

HOMELITE

A **Textron** DIVISION

PORT CHESTER, NEW YORK

Part No. 23621-A

Revised 9-63

Supersedes Part No. 23621

10M-9-63

Printed in U.S.A.