

CARBURETOR PARTS

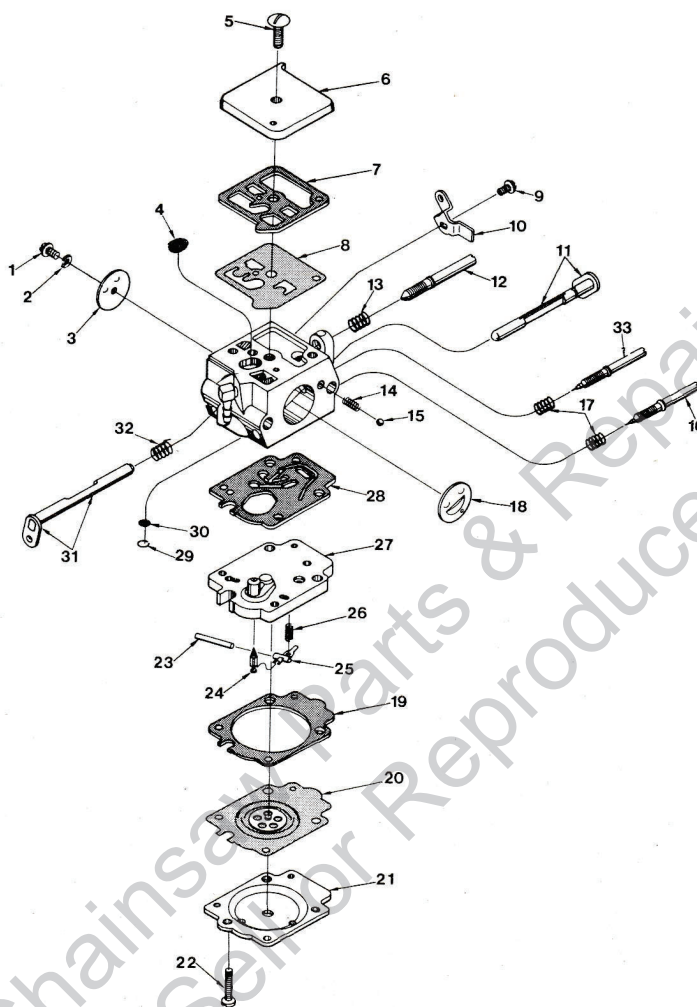
Homelite® Chain Saw

Assembly Number

A-70155-A

Printed in U.S.A. Part No. 17093-A

678YY



Tillotson Carburetor Model HK-3B

Key	Parts Description	Part No.	Required	Key	Parts Description	Part No.	Required
1	†SCREW—Rd., 4-40 x 3/16	80264	1	*19	GASKET—Metering diaphragm	70113	1
2	†LOCKWASHER, #4	83008-1	1	*20	†DIAPHRAGM	70117	1
*3	SHUTTER—Throttle	70129	1	*21	COVER—Diaphragm	70114	1
*4	†SCREEN—Inlet	70111	1	*22	SCREW—Washer hd., 6-32 x 1/2	70116	3
*5	SCREW—Truss hd., mach., 8-32 x 13/32	70115	1	*23	†PIN—Fulcrum	70145	1
*6	COVER—Fuel pump	70191	1	*24	NEEDLE—Inlet	70109	1
*7	GASKET—Fuel pump	70107	1	*25	†LEVER—Inlet control	70110	1
*8	†DIAPHRAGM—Fuel pump	70108	1	*26	†SPRING—Inlet tension	69788	1
*9	SCREW—Pan hd., w/ext. tooth washer	70102	1	*27	MODULE—Inlet fuel control	70149	1
*10	LEVER—Throttle stop	70193	1	*28	GASKET—Metering module	70123	1
*11	SHAFT—Choke & lever	70137	1	29	RING—Retaining screw	57819	1
*12	†NEEDLE—Idle speed regulating	70119	1	30	SCREEN—Channel	59500	1
*13	†SPRING—Needle adjustment	70197	1	*31	LEVER—Throttle shaft	93152	1
14	SPRING—Choke friction	73264	1	*32	†SPRING—Throttle return	93023	1
15	BALL—Check, 5/32	25527	1	*33	NEEDLE—Idle Mixture (Lo)	70878	1
*16	NEEDLE—Mixture adjustment (Hi)	70192	1	*	REPAIR KIT	70098	1
17	†SPRING—Mixture needle adjustment	54440	2	*	†GASKET SET	70096	1
*18	SHUTTER—Choke	70103	1	*	DIAPHRAGM & GASKET SET	70094	1

†Denotes Contents of Repair Kit

*Denotes New Parts

HOMELITE **TEXTRON**

Homelite Division of Textron Inc.