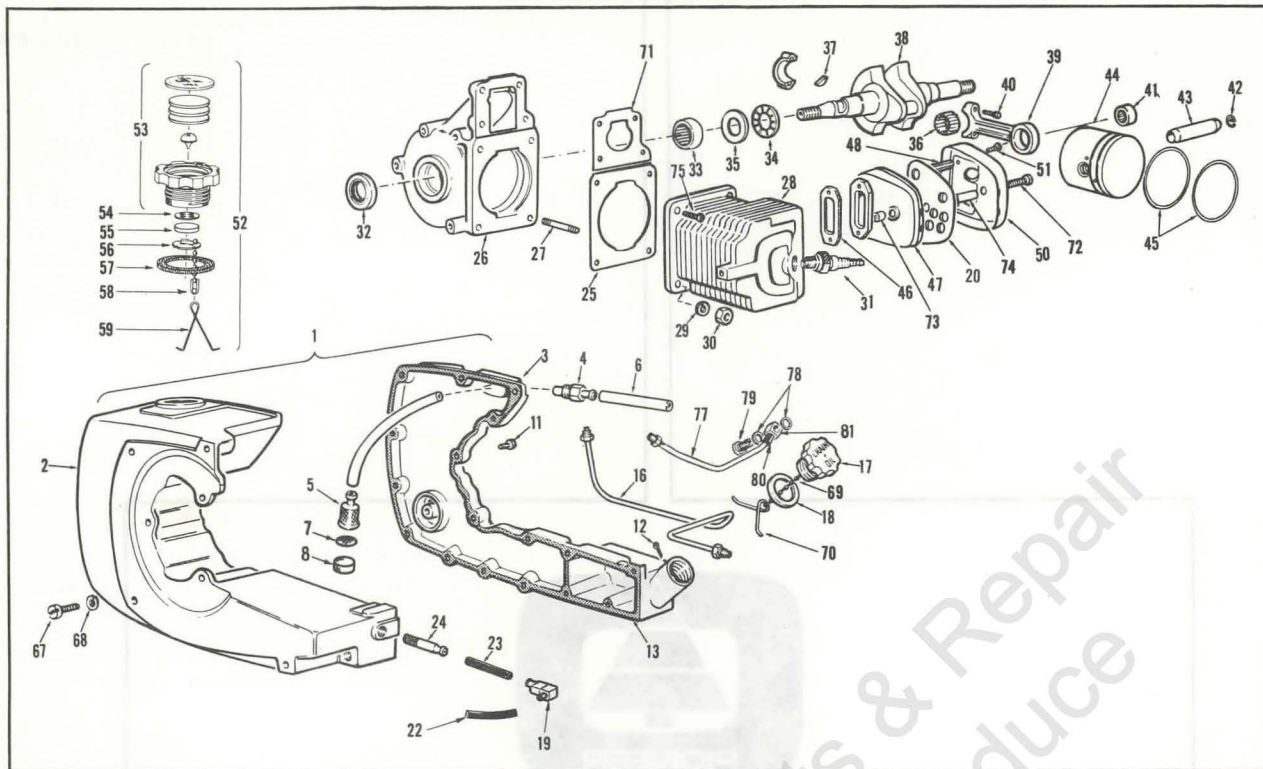


# ILLUSTRATED PARTS CATALOGUE

**models  
2200, 2270**

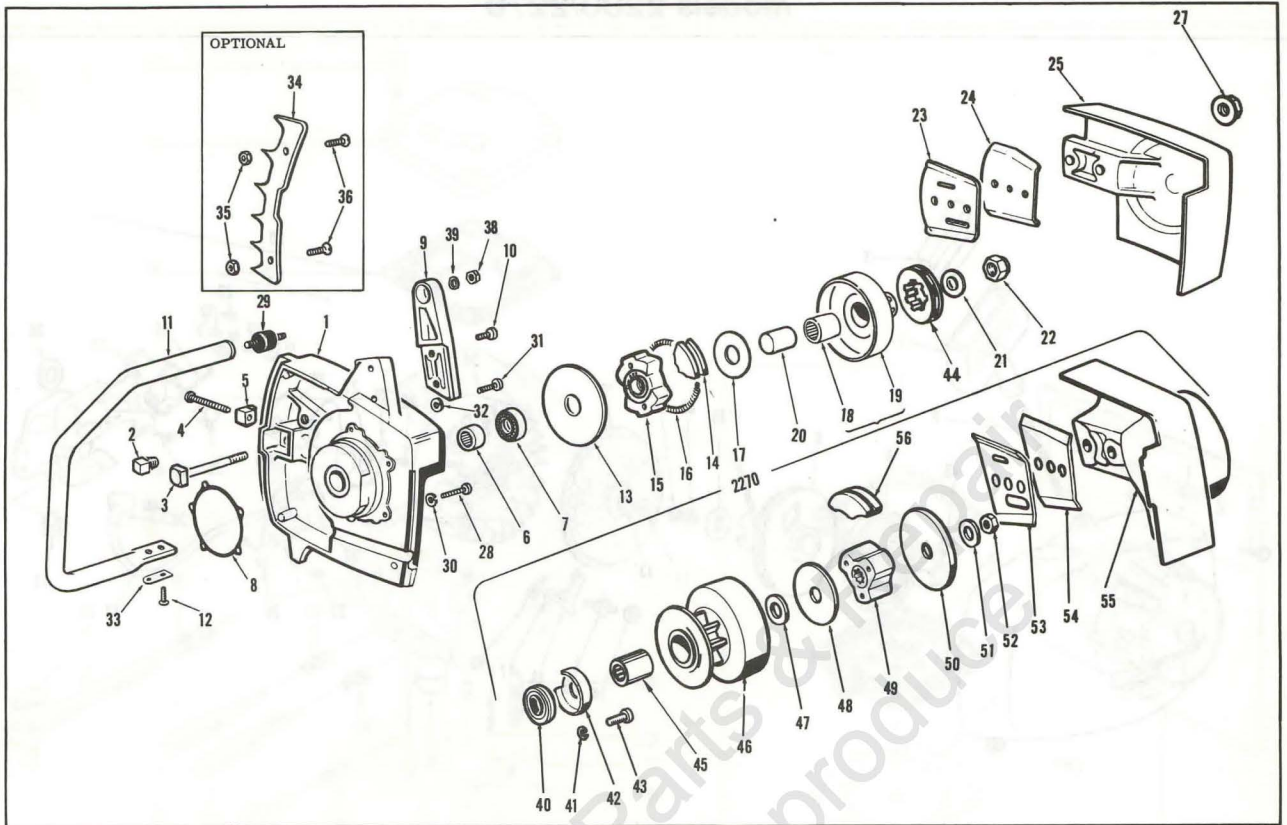
models 2200/2270



PICK UP ASSEMBLIES & ENGINE PARTS LIST

REF. NO.	PART NO.	NAME OF PART	QTY. PER ASSY.	REF. NO.	PART NO.	NAME OF PART	QTY. PER ASSY.
1	473456	Fuel & Oil Tank Assembly (2200)*	1	38	429470	Crankshaft - 2270 . . . . .	1
	473457	Fuel & Oil Tank Assembly (2270)*	1	39	471854	Con Rod Assy. (incl. parts ç) . . . . .	1
2	429474	* Fuel & Oil Tank . . . . .	1	40	311761	ç Cap Screw . . . . .	2
3	429534	* Tank Cover (2200) 429535(2270)	1	41	429444	ç Wrist Pin Bearing . . . . .	1
4	473826	* Fitting & Hose Assy. . . . .	1	42	427671	Retainer - Wrist Pin . . . . .	2
5	473459	* Pickup . . . . .	1	43	427670	Wrist Pin . . . . .	1
6	429533	* Hose . . . . .	1	44	471697	Piston with Dowell Pins . . . . .	1
7	429530	* Screen - Fuel Pickup . . . . .	1	45	471698	Piston Ring Kit . . . . .	1
8	425670	* Filter - Felt . . . . .	1	46	428189	Gasket - Muffler . . . . .	1
11	428358	* Screw - Cover to tank . . . . .	17	47	471641	Muffler Body Assy. . . . .	1
12	306370	* Cotter Pin . . . . .	1	48	428169	Stud - Muffler . . . . .	2
13	428146	* Gasket - Tank to cover . . . . .	1	50	471612	Cover - Muffler . . . . .	1
16	471528	Oil Line - Pump to Bar . . . . .	1	51	305230	Screw - Muffler . . . . .	2
17	471343	Oil Filler Cap & Gasket Assy. (includes parts marked with ç)		52	471820	Gas Cap Assembly Complete (includes parts marked with i)	1
18	427689	ç Gasket - Oil Filler Cap . . . . .	1	53	471821	i Gas Cap Body Assembly . . . . .	1
19	428459	Fitting - Oil Pickup in Tank . . . . .	1	54	428600	i Cover Plate . . . . .	1
20	428573	Baffle Plate . . . . .		55	427994	i Filter - Disc. . . . .	1
22	428460	Oil Line - Tank to Pump . . . . .	1	56	427278	i Cover . . . . .	1
23	428337	Hose - Oiler Pickup Line . . . . .	1	57	425087	i Gasket . . . . .	1
24	472152	Pickup Body Assembly . . . . .	1	58	427277	i Bead Chain . . . . .	1
25	428131	Gasket - Crankcase to Cylinder . . . . .	1	59	427213	i Lock Spring . . . . .	1
26	472337	Crankcase Assembly (includes parts marked ")		67	309330	Screw - Tank to Crankcase . . . . .	3
27	426642	" Stud - to cylinder . . . . .	2	68	304145	Lockwasher . . . . .	3
28	428190	Cylinder . . . . .	1	69	427690	& Bead Chain . . . . .	1
29	306396	Lockwasher . . . . .	4	70	427288	& Lock Spring . . . . .	1
30	306397	Nut . . . . .	2	71	428130	Gasket - Reed to R. Handle . . . . .	1
31	428006	Spark plug CJ8 . . . . .	1	72	311753	Screw (Muffler to Cylinder) . . . . .	1
32	427656	Seal - Crankcase . . . . .	1	73	428248	Spacer (Short) . . . . .	1
33	427657	Bearing . . . . .	1	74	428279	Spacer (Long) . . . . .	1
34	412840	Thrust Bearing . . . . .	2	75	306409	Screw - Cylinder to C'case . . . . .	2
35	427661	Thrust Race . . . . .	2	77	472956	Oil Line (Auto Oiler) - 2270 . . . . .	1
36	473837	Bearing Needle . . . . .	1	78	307554	Gasket - 2270 . . . . .	2
37	428409	Fly Wheel Key . . . . .	1	79	471606	Pickup Head - 2270 . . . . .	1
38	429406	Crankshaft - 2200 . . . . .	1	80	427717	Rubber Connector - 2270 . . . . .	1
				81	429134	Banjo Fitting - 2270 . . . . .	1

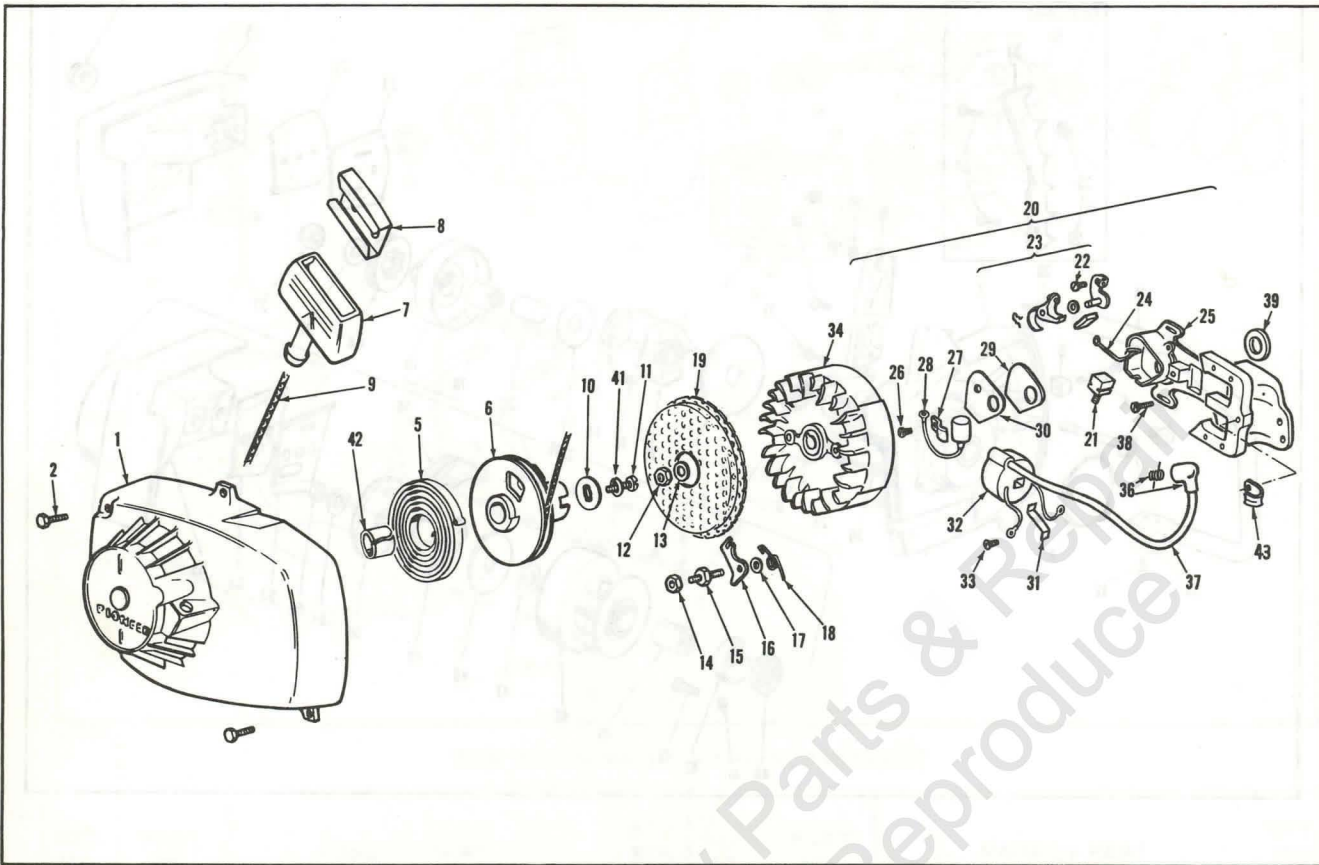
models 2200/2270



CLUTCH PARTS LIST

REF. NO.	PART NO.	NAME OF PART	QTY. PER ASSY.	REF. NO.	PART NO.	NAME OF PART	QTY. PER ASSY.
	471601	Bearing Carrier Assy. - 2270 . . . . .	1	27	429661	Nut - Strut Bolt . . . . .	2
1	471334	Bearing Carrier Assy. - 2200 . . . . . (includes parts marked *)	1	28	307466	Screw - C'case to Brg. Carrier . . . . .	2
2	427997	Elbow - Oiler . . . . .	1	29	377582	Rubber Mount . . . . .	1
3	427659	Bolt - Cutter Bar . . . . .	2	30	120052	Lockwasher . . . . .	2
4	201767	* Screw - (Chain Adjust) . . . . .	1	31	309330	Screw - C'case to Brg. Carrier . . . . .	3
5	425672	* Pin - (Chain Adjust) . . . . .	1	32	304145	Lockwasher . . . . .	3
6	427657	Bearing C'shaft - 2200 . . . . .	1	33	429448	Plate - Handle Mounting . . . . .	1
7	427656	Oil Seal . . . . .	1	34	471581	Pivot Grip Assy. Inc. Pts. Mkd. & . . . . .	1
8	428462	Gasket - C'case to Brg. Carrier . . . . .	1	35	800053	¿ Nut . . . . .	2
9	428695	Front Handle Bracket . . . . .	1	36	307175	¿ Screw . . . . .	2
10	304606	Screw - Bracket to Saw . . . . .	2	38	302103	Nut - Handle to Bracket . . . . .	1
11	473454	Front Handle Bar Assy. . . . .	1	39	306799	Washer " " " . . . . .	1
12	429486	Screw - Handle to Tank . . . . .	2	40	428128	Oil Seal . . . . .	1
13	429407	Cover - Clutch . . . . .	1	41	120052	Lockwasher . . . . .	1
14	427736	Clutch Shoe . . . . .	2	42	428140	Seal Cover . . . . .	1
15	473335	Clutch Driver - 2200 . . . . .	1	43	307466	Screw . . . . .	2
16	426964	Garter Spring - 2200 - 2270 . . . . .	1	44	471815	Sprocket Segment 3/8 P. 2200 . . . . .	1
17	427737	Inner Thrust Washer - 2200 . . . . .	1	45	429557	¿ Bearing . . . . .	1
18	425091	x Bearing . . . . .	1	46	473547	Clutch Drum Assy. 3/8 P. w/c Brg. . . . .	1
19	471401	Clutch Drum Assy.(incl. pts. mkd.x) (2200)	1	47	428164	Thrust Washer . . . . .	1
20	427742	Inner Race - 2200 . . . . .	1	48	427915	Clutch Plate . . . . .	1
21	427743	Outer Thrust Washer - 2200 . . . . .	1	49	471576	Clutch Driver . . . . .	1
22	427181	Lock Nut - Clutch Side - R.H. . . . .	1	50	427916	Clutch Cover Plate . . . . .	1
23	427775	Inner Guide Plate . . . . .	1	51	120177	Washer . . . . .	1
24	427776	Outer Guide Plate . . . . .	1	52	427181	R. H. Locknut . . . . .	1
25	429145	Strut - 2200 . . . . .	1	53	427775	Inner Guide Plate . . . . .	1
				54	427776	Outer Guide Plate . . . . .	1
				55	429178	Strut - 2270 . . . . .	1
				56	427187	Clutch Shoe - 2270 . . . . .	3

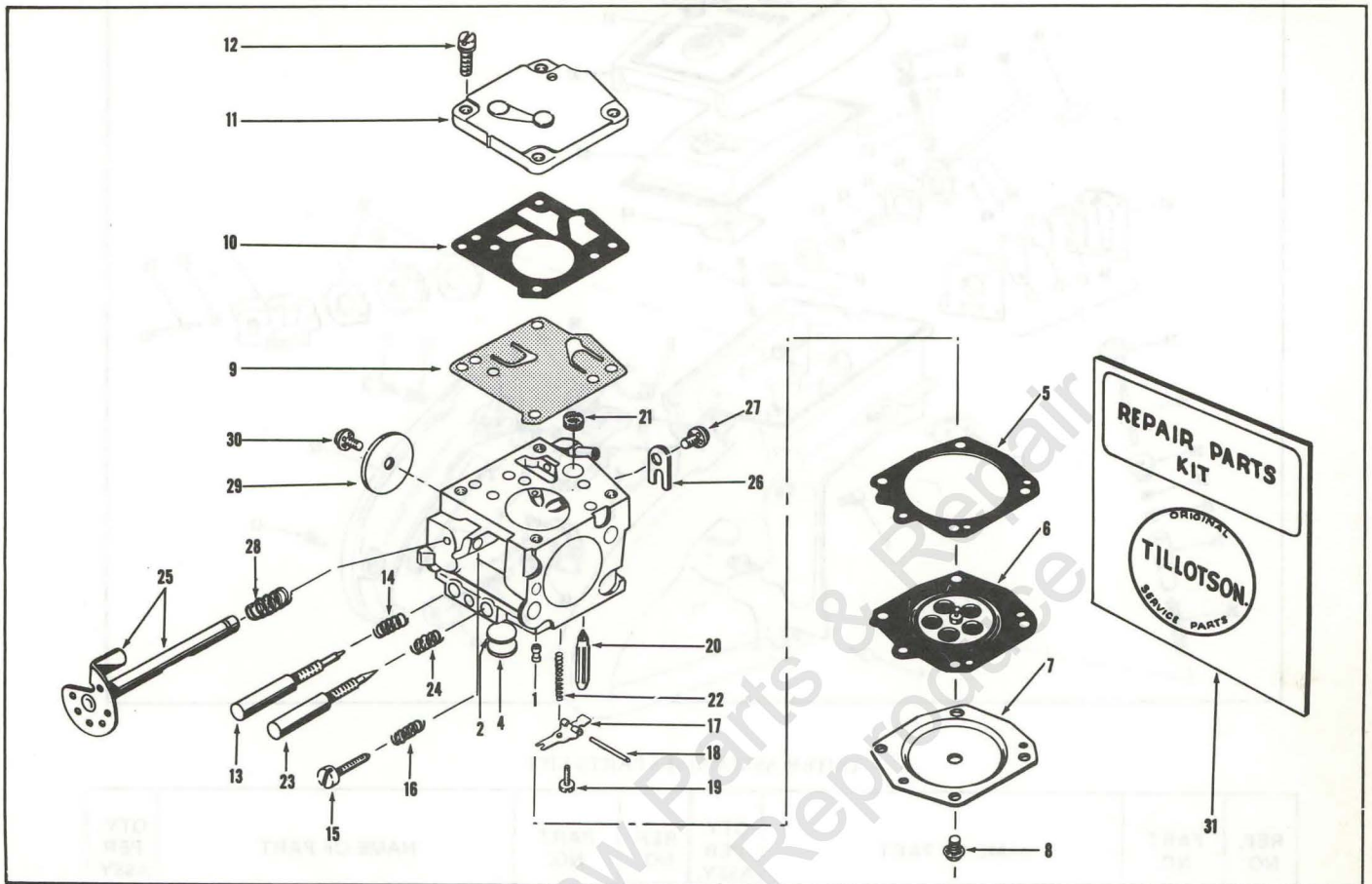
models 2200/2270



STARTER & MAGNETO PARTS LIST

REF. NO.	PART NO.	NAME OF PART	QTY. PER ASSY.	REF. NO.	PART NO.	NAME OF PART	QTY. PER ASSY.
1	472982	Blower Cover Assembly (incl. x)	1	21	471364	* Terminal Connection Unit . . . .	1
2	428094	Screw (Blower to Tank) . . . . .	4	22	471366	* Fixed Contact Clamp Screw Assy.	1
5	427771	Starter Spring . . . . .	1	23	471500	* Breaker Point Set . . . . .	1
6	471371	Starter Pulley Assembly . . . . .	1	24	425698	* Spring Breaker Box . . . . .	1
7	427370	Handle . . . . .	1	25	427752	* Stator Plate & Core . . . . .	1
8	429540	Anchor . . . . .	1	26	425948	* Condenser Clamp Screw Assy. .	1
9	426752	Cord . . . . .	1	27	427754	* Condenser Clamp . . . . .	1
10	428105	Washer . . . . .	1	28	471354	* Condenser Group Assembly . . .	1
11	551725	Screw (Pulley to Shaft) . . . . .	1	29	427757	* Gasket (Cover) . . . . .	1
12	427826	Locknut (Flywheel) . . . . .	1	30	427756	* Cover (Breaker Box) . . . . .	1
13	429851	Washer (Flywheel) . . . . .	1	31	427748	* Coil Wedge Spring . . . . .	1
14	800053	Nut (Screen to Pivot) . . . . .	2	32	471365	* Coil Assembly . . . . .	1
15	427763	Pivot . . . . .	2	33	427749	* Coil Grounding Screw . . . . .	1
16	427765	Starter Pawl . . . . .	2	34	471362	Flywheel Assembly . . . . .	1
17	202150	Washer (Pivot to Flywheel) . . . .	2	36	580339	Sparky Assy. . . . .	1
18	427764	Spring . . . . .	2	37	427745	High Tension Lead . . . . .	1
19	427766	Rotating Screen	1	38	304605	Screw . . . . .	3
20	471590	Stator Assembly Complete (Stator Assembly Includes Parts Marked *)		39	427917	Felt - Magneto to C'case . . . . .	1
				41	306398	Lockwasher . . . . .	1
				42	428444	Bearing Liner - Nylon . . . . .	1
				43	428106	* Clip - Magneto . . . . .	1

models 2200/2270

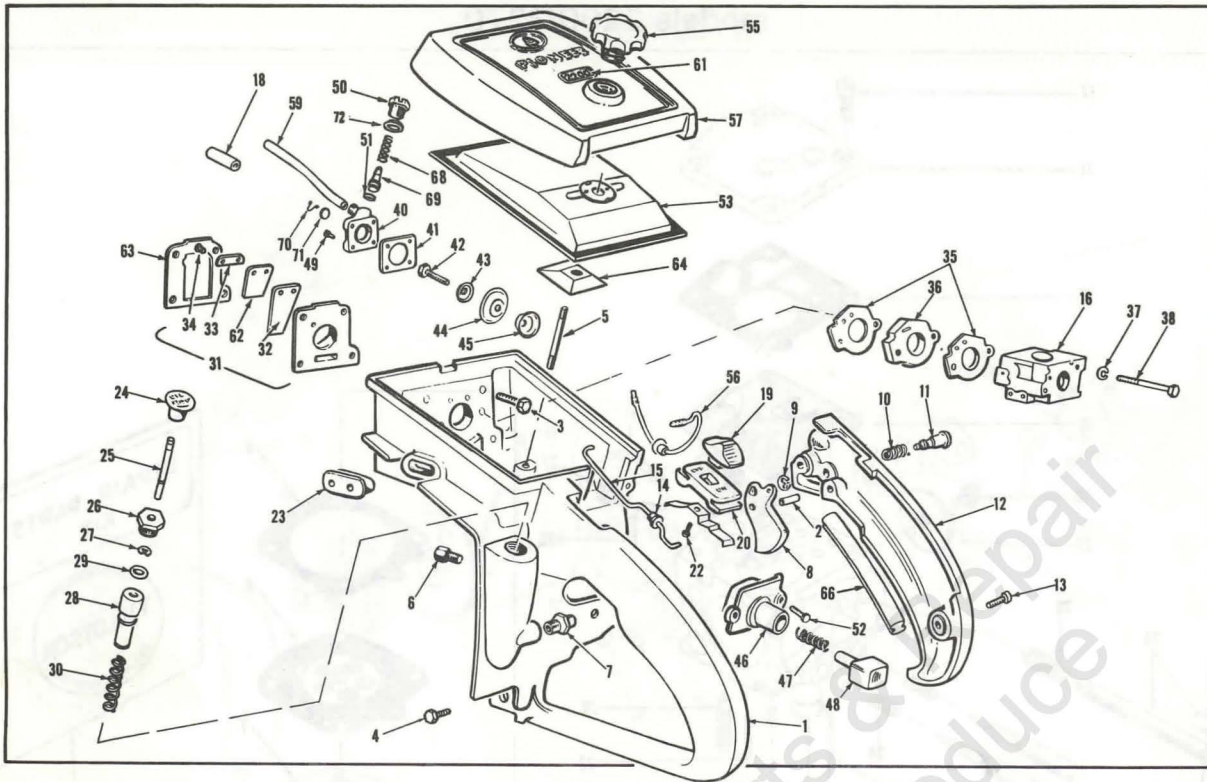


CARBURETOR PARTS LIST

REF. NO.	PART NO.	NAME OF PART	QTY. PER ASSY.	REF. NO.	PART NO.	NAME OF PART	QTY. PER ASSY.
	472330	Carburetor Complete		17	*427953	Inlet Control Lever . . . . .	1
1	471618	Check Valve Assy. . . . .	1	18	*427954	Inlet Pinion Pin . . . . .	1
2	428149	Reducer . . . . .	1	19	*427962	Inlet Pinion Pin Ret. Screw . . . . .	1
4	*427948	Welch Plug . . . . .	1	20	*427952	Inlet Needle . . . . .	1
5	427950	Gasket . . . . .	1	21	*427951	Inlet Screen . . . . .	1
6	*471374	Diaphragm Ass'y. . . . .	1	22	*426922	Inlet Tension Spring . . . . .	1
7	427956	Cover - Diaphragm . . . . .	1	23	*427960	Main Adj. Screw . . . . .	1
8	426145	Screw & Lockwasher . . . . .	4	24	*425449	Main Adj. Screw Spring . . . . .	1
9	*427941	Diaphragm . . . . .	1	25	471380	Throttle Shaft & Lever . . . . .	1
10	427940	Gasket . . . . .	1	26	427957	Throttle Shaft Clip . . . . .	1
11	427939	Cover - Pump . . . . .	1	27	427947	Screw & Lockwasher . . . . .	1
12	427955	Screw & Lockwasher . . . . .	4	28	*427961	Throttle Shaft Return Spring . . . . .	1
13	*428226	Idle Adj. Screw . . . . .	1	29	425966	Throttle Shutter . . . . .	1
14	*425449	Idle Adj. Screw Spring . . . . .	1	30	*427947	Screw & Lockwasher . . . . .	1
15	*427963	Idle Speed Screw . . . . .	1	31	471633	Repair Parts Kit (inc. parts mkd. *)	1
16	*427946	Idle Speed Screw Spring . . . . .	1	472330	472330	Carb. Assy. complete	

\* Indicates contents of Repair Parts Kit

models 2200/2270



OUTER ASSEMBLIES PARTS LIST

REF. NO.	PART NO.	NAME OF PART	QTY. PER ASSY.	REF. NO.	PART NO.	NAME OF PART	QTY. PER ASSY.
1	471609	Rear Handle Assembly . . . . .	1	36	427723	Insulating Block - Carburetor . . .	1
2	308016	Roll Pin - Throttle Trigger . . . . .	1	37	120052	Lockwasher - Carb. - Mounting . .	2
3	313031	Screw - Rear Handle Crankcase . .	4	38	427785	Screw - Carb. to Rear Handle . . .	2
4	510397	Screw - Rear Handle Tank . . . . .	1	40	472310	Body & Fitting . . . . .	1
5	428461	Stud . . . . .	1	41	427715	Gasket . . . . .	1
6	471478	Outlet Valve Assembly . . . . .	1	42	426821	Screw No. 6-20 . . . . .	1
7	471780	Inlet Valve Assembly . . . . .	1	43	426926	Cup Washer . . . . .	1
8	427696	Throttle Trigger . . . . .	1	44	426815	Diaphragm - Primer Pump . . . . .	1
9	309623	Retainer Clip . . . . .	1	45	426818	Cup - Diaphragm . . . . .	1
10	428171	Spring - Throttle Lock . . . . .	1	46	427711	Cover . . . . .	1
11	427815	Pin - Throttle Lock . . . . .	1	47	427800	Spring - Primer Button . . . . .	1
12	429144	Rear Handle Cover . . . . .	1	48	427712	Button . . . . .	1
13	307613	Screw Handle Cover . . . . .	2	49	312475	Screw - Body to Cover . . . . .	2
14	428352	Grommet - Throttle Link . . . . .	1	50	429128	End Cap . . . . .	1
15	427699	Throttle Link . . . . .	1	51	308528	"O" Ring - Exit Valve . . . . .	1
16	472330	Carburetor Complete . . . . .	1	52	200832	Screw - Primer to Rear Handle . . .	2
18	427863	Fuel Hose Tee to Primer . . . . .	1	53	471355	Air Filter Element . . . . .	1
19	427128	x Switch Button . . . . .	1	55	471357	Knob Assembly . . . . .	1
20	471699	Switch Assembly (incl. pts. mkd. X) . . . . .	1	56	471368	Switch Wire Assembly . . . . .	1
22	426662	x Screw Self Tapping (Switch) . . .	1	57	429149	Cover - Air Filter . . . . .	1
23	428108	Grommet Hi-Lo . . . . .	1	59	427718	Primer Hose (To Crankcase) . . . .	1
24	427704	Button - Oiler . . . . .	1	61	429181	Decal - 2270 . . . . .	1
25	427705	Push-Rod . . . . .	1	62	429158	Decal - 2200 . . . . .	1
26	427706	Cap-Oil Pump . . . . .	1	66	428246	* Reed Stiffener . . . . .	1
27	427788	Retaining Clip . . . . .	1	63	428129	Gasket - Reed to C'case . . . . .	1
28	427098	Plunger - Oiler . . . . .	1	64	428622	Blowback Shield . . . . .	1
29	428906	"O" Ring (Oil Pump) . . . . .	1	66	429161	Cushion . . . . .	1
30	427925	Spring - Plunger - Oil Pump . . . .	1	68	426837	Spring . . . . .	1
31	471603	Reed Valve Assy.(Incl. pts. mkd.*)	1	69	426835	Stem . . . . .	1
32	428126	* Reed . . . . .	1	70	426824	Retaining Clip . . . . .	1
33	428127	* Reed Backing Plate . . . . .	1	71	426825	Disc. - Inlet Valve . . . . .	1
34	428335	* Screw - Reed Valve . . . . .	2	72	429453	Washer . . . . .	1
35	427722	Gasket - Carb. Mounting . . . . .	2				

Do Not Sell Or Reproduce  
Leon's Chainsaw Parts & Repair