

ILLUSTRATED PARTS LIST

MODEL NAME	SERIAL NUMBER PREFIX	MODEL
TIMBER BEAR	13-	600041-34
		600041-35
		600041-36

McCulloch products are identified by a model number (in this instance 600041, etc.) followed by a suffix number (34, etc.). Suffix numbers denote variations in parts or assemblies used in the manufacture of this product.

Illustrated Parts Lists (IPLs) contain a PART NUMBER, DESCRIPTION, UNITS per assembly and STOCKING CODE for each part.

Stocking Codes are:

- A - Dealer stocked. Fast to medium moving part.
- B - Distributor stocked. Medium to slow moving part.
- C - Factory stocked. Slow moving part.
- T - Indicates a McCulloch service tool.

NOTE: The following explains symbols/footnotes in this IPL:

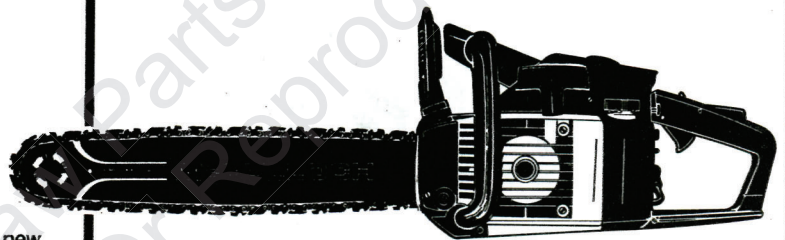
- (-) A dash preceding a PART NUMBER indicates that it is a new part number, different from the one listed in the previous IPL for this unit.
- (.) One or more dots (. Spring, Starter) preceding a part DESCRIPTION indicates the part is included in the kit or assembly described directly above the dot(s).
- (---) If four dashes appear in place of a PART NUMBER, the part is not available individually but is included in the next higher assembly or subassembly.
- ① ② Circled numbers preceding a DESCRIPTION footnote the part or assembly to additional information on the page.
- (*) An asterisk draws attention to general information.

The policy of McCulloch Corporation is one of continual improvement in design, manufacturing and engineering advancement wherever possible to assure still finer power tools. Hence, specifications, equipment colors, design and manufacturer's suggested list prices are subject to change without notice. McCulloch Corporation reserves the right to make such changes without prior notification or obligation to backfit or supply backfit components for units previously shipped from the factory.

NOVEMBER 1995



Gas-Powered Chain Saw



CONTENTS

	PAGE
FIGURE 1 General Assembly	2
FIGURE 2 Engine Assembly	4
FIGURE 3 Chain Brake Assembly	6
FIGURE 4 Fan Housing and Fuel Tank	6
FIGURE 5 Carburetor Assembly	7
FIGURE 6 Bar and Chain Information	7
Engine Specifications	5
Loctite Kit	5
Service Tools	7

McCULLOCH®

P.O. Box 11990 • Tucson, Arizona 85734

FIGURE 1

GENERAL ASSEMBLY

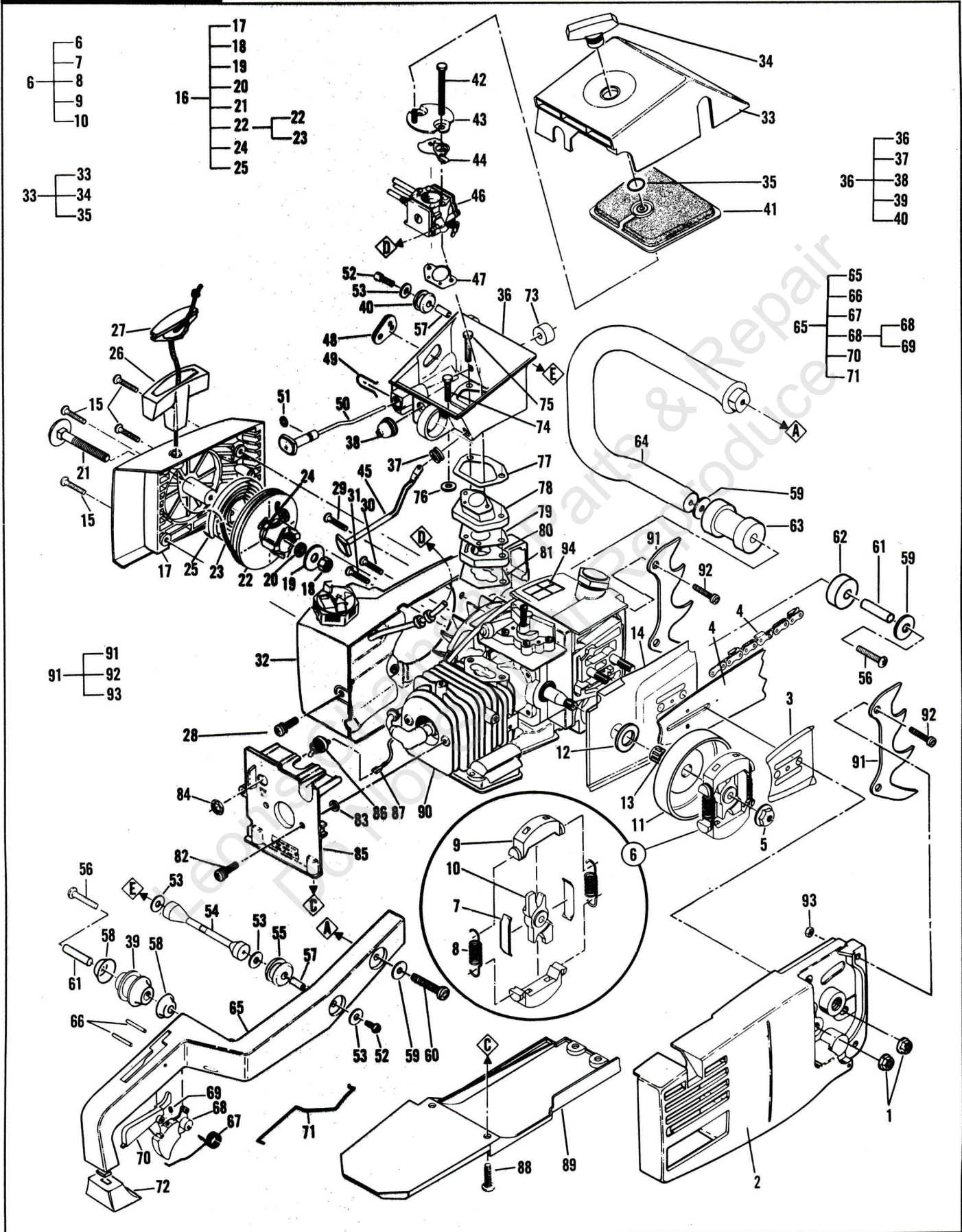


FIGURE 1

ITEM NO.	STK. CODE	PART NUMBER	DESCRIPTION	UNITS PER ASY.
1	A	213169	Nut, Flange M8 HX	2
2	-	FIGURE 3	Chain Brake Assembly	1
3	C	323440	Plate, Guide Bar	1
4	-	FIGURE 6	Chain Assembly/Bar Assembly	1
5	A	223467	Nut, Flange M10 x 1.25 HX LH (220-230 in./lbs)	1
6	A	214301	Clutch Assembly	1
7	A	64583	. Retainer, Clutch Spring	2
8	A	83223	. Spring, Clutch	2
9	A	67233	. Kit, Clutch Shoe	1
10	A	214300	. Rotor, Clutch	1
11	C	300878	Drum/Sprocket Assembly	1
12	A	86958	Washer, Shim	1
13	A	110971	Bearing, Needle	1
14	A	92354	Jacket, Cylinder	1
15	A	219508	Screw, M4 x 17 TORX Sems (15-20 in./lbs)	4
16	C	301565	Housing, Starter Assembly	1
17	C	219154	. Housing, Starter - Black	1
18	A	111038	. Nut, .25-20 (40-45 in./lbs - Loctite 242)	1
19	A	95401	. Washer, Starter	1
20	A	216589	. Spacer, Starter	1
21	A	215848	. Bolt, Step .25-20 x 1.89	1
22	A	219163	. Kit, Drum/Rope	1
23	A	87670	.. Rope, Starter 45 in.	1
24	A	217730	. Bushing, Rope	1
25	A	87680	. Spring, Starter Rewind	1
26	A	93137	Handle, Starter	1
27	A	214699	Handle, Insert	1
28	A	213147	Screw, M5 x 16 PN HD TORX Sems (30-35 in./lbs)	1
29	A	222764	Screw, Hsg M5 x 40 TORX HD (45-50 in./lbs)	1
30	A	222765	Screw, Fan Hsg TORX HD (45-50 in./lbs)	1
31	A	222766	Screw, Fan Hsg TORX HD (45-50 in./lbs)	1
32	-	FIGURE 4	Fan Housing/Fuel Tank Assembly	1
33	A	217651	Cover Assembly, Air Cleaner	1
34	B	91991	. Knob, Air Filter Cover	1
35	B	110565	. Ring, Retaining	1
36	A	95216	Air Box Assembly	1
37	A	93261	. Grommet, Choke	1
38	A	69597	. Boot, Control Rod	1
39	B	92065	. Isolator	1
40	B	93253	. Grommet, Strut	1
41	A	95213	Filter, Air	1
42	A	120004	Screw, M5 x 56 HX HD (35-40 in./lbs)	2
43	B	91938	Bracket Assembly, Air Cleaner	1
44	A	94151	Choke, Carburetor	1
45	A	94171	Rod, Choke	1
46	-	FIGURE 5	Carburetor Assembly	1
47	A	91924	Gasket, Carburetor	1
48	B	91995-01	Grommet, Carburetor Needle	1
49	A	93458	Clip, Oiler Button	1
50	A	92067-01	Button/Rod Assembly, Oiler	1
51	A	105614	O-Ring, .239 x .070	1
52	A	222800	Screw, PN HD TORX (25-30 in./lbs)	2
53	A	68497	Washer, Flat	4
54	C	222229	Strut, Handle	1
55	B	93253	Grommet, Strut	1

GENERAL ASSEMBLY

ITEM NO.	STK. CODE	PART NUMBER	DESCRIPTION	UNITS PER ASY.
56	B	222769	Screw, PN HD TORX (70-80 in./lbs)	2
57	B	223598	Spacer, SP150 #8 x .500 AK	2
58	B	92066	Cup, Isolator	2
59	B	111027	Washer, Flat	3
60	B	222768	Screw, PN HD TORX (70-80 in./lbs)	1
61	B	92071	Spacer	2
62	B	93913	Isolator	1
63	B	94140	Isolator	1
64	A	91951-01	Frame, Nylon	1
65	A	214723	Handle Assembly, Rear	1
66	-	---	. Pin, Roll .156 x 1.120	2
67	A	93771	. Spring, Trigger	1
68	A	93538-01	. Trigger	1
69	B	111013	.. Screw, SLTD 5-40 x .50	1
70	A	91955	. Release, Trigger	1
71	A	214504	. Rod, Trottle	1
72	B	93459	Boot, Handle	1
73	A	92161	Seal, Air Box	1
74	A	120037	Screw, M5 x 25 HX Sems	1
75	A	216027	Screw, M5 x 28.5 Sems (35-40 in./lbs)	2
76	A	93460	Washer, Insulator	1
77	A	94018	Gasket, Air Box	1
78	B	94017-01	Insulator, Carburetor	1
79	A	91933	Gasket, Air Box	1
80	B	91934	Insulator, Air Box	1
81	A	92038	Gasket, Insulator	1
82	C	223843	Screw, M5 x 0.8 x 25 PN HD TORX (45-50 in./lbs)	2
83	A	93460	Washer, Insulator	3
84	B	219917	Nut, 15/32-32 HX (25-30 in./lbs)	1
85	B	218561	Shroud, Cylinder	1
86	A	93890	Switch, Ignition	1
87	A	92466	Wire Assembly, Switch	1
88	A	213147	Screw, M5 x 16 PN TX Sems (45-50 in./lbs)	4
89	A	214670	Shroud, Bottom	1
90	-	FIGURE 2	Engine Assembly	1
91	C	93668	Bucking Spike	2
92	A	213147	. Screw, M5 x 16 TX PN HD Sems	4
93	A	235642	. Nut, M5	2
94	A	219058	Safety Decal	1

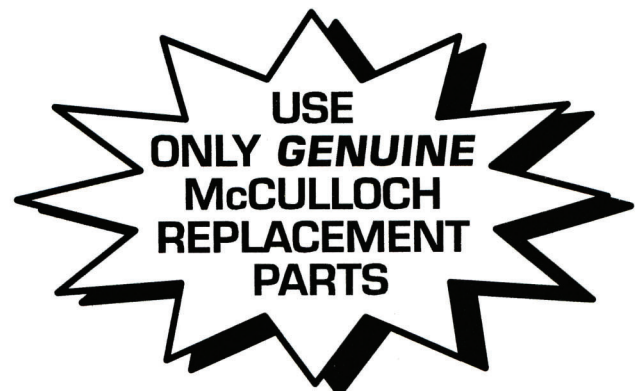


FIGURE 2

ENGINE ASSEMBLY

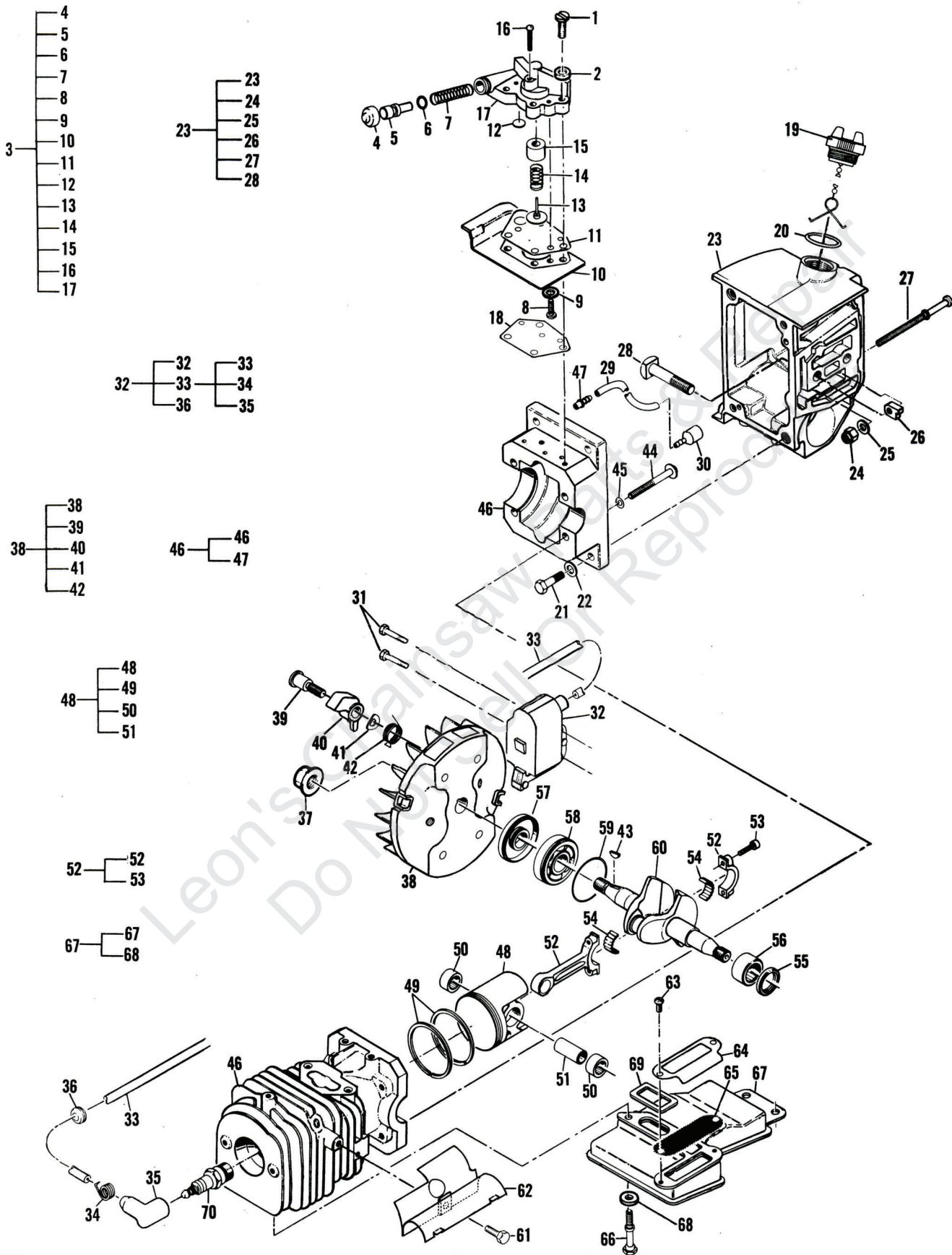


FIGURE 2

ENGINE ASSEMBLY

ITEM NO.	STK. CODE	PART NUMBER	DESCRIPTION	UNITS PER ASY.
1	A	120036	Screw, M4 x .70 x 25 PN Sems	4
2	A	67177	Washer, Insulating	4
3	A	219991	Pump Assembly, Oiler, Pulse	1
4	A	215151	. Cap, Oil Pump	1
5	B	93933	. Plunger, Oil Pump	1
6	A	105614	. O-Ring, .239 x .070	1
7	A	66687	. Spring, Plunger	1
8	A	110706	. Screw, 8-18 x .50 PN ST H	3
9	B	216354	. Gasket, Washer	1
10	B	217218	. Cover, Diaphragm	1
11	A	216992	. Diaphragm, Oiler	1
12		---	. Valve	1
13	B	91945	. Piston Assembly, Pulse Pump	1
14	B	94322	. Spring, Oil Pump Piston	1
15	B	91944	. Sleeve, Oil Pump Adj	1
16	B	218530	. Screw, 6-40 HX/Slot HD	1
17	B	219336	. Body Assembly, Pulse Pump	1
18	A	91950	Gasket, Oil Pump	1
19	A	216052	Cap Assembly, Oil	1
20	A	101148	O-Ring, .75 ID x .09	1
21	B	120006	Screw, M6.3 x 24 HX (140-150 in./lbs - Loctite 518)	4
22	B	100004	Washer, Plain .265 ID x .032	4
23	A	218583	Tank Assembly, Oil	1
24	A	110950	. Nut, Lock 12-24	1
25	A	102115	. Washer, .254 x .033 PL	1
26	A	91982	. Nut, Bar Adj	1
27	A	94362	. Screw, Bar Adj	1
28	A	92459	. Bolt, Bar Ref M8 x 1.25	2
29	A	218535	Hose, Fuel/Oil Tank	1
30	B	300870	Filter, Oil	1
31	A	120037	Screw, M5 x 25 HX Sems (55-60 in./lbs)	2
32	A	223708-01	Ignition Assembly, Electronic	1
33	A	223884	. Wire Assembly, Spark Plug	1
34	A	102556	. Connector, Spark Plug	1
35	A	95266	. Boot, Spark Plug	1
36	B	110995	. Grommet, Spark Plug Wire	1
37	B	219372	Nut, Flange M10 x 1.25 (265-325 in./lbs)	1

ITEM NO.	STK. CODE	PART NUMBER	DESCRIPTION	UNITS PER ASY.
38	A	216739	Flywheel/Pawl Assembly	1
39	A	95362	. Screw, Shoulder (65-75 in./lbs)	2
40	A	95361	. Pawl, Starter	2
41	A	213000	. Washer, Spring .25 x .625	2
42	A	93144	. Spring, Starter Pawl	2
43	A	100106	Key, Woodruff 213	1
44	A	62106	Screw, 12-24 x 1.75 (70-80 in./lbs)	4
45	A	111025	Washer, Sealing Aluminum	4
46	A	94536	Kit, Cylinder	1
47	B	92096	. Nipple, Oil Line	1
48	A	94130	Piston Assembly	1
49	A	94132	. Ring Set, Piston	2
50	A	111021	. Bearing, Needle	2
51	A	69020	. Pin, Piston	1
52	A	85352	Rod Assembly, Connecting	1
53	A	61627-01	. Screw, Connecting Rod (55-65 in./lbs)	2
54	A	63225	Bearing, Roller (Pkg, Needle Roller)	1
55	A	110260	Seat, Oil, .625 ID x .875	1
56	A	104357	Bearing, Needle	1
57	A	67906	Seal, Oil	1
58	B	67905	Bearing, Ball	1
59	B	63464	Ring, Snap	1
60	B	217041	Crankshaft	1
61	B	102762	Screw, 10-24 x .50 SL HX (55-60 in./lbs)	1
62	B	217606	Deflector Assembly, Air	1
63	A	120038	Screw, M4 x 8 PN (35-45 in./lbs)	2
64	B	93481	Plate, Deflector	1
65	C	214205-33	Spark Arrestor	1
66	A	95444	Screw, Muffler (65-75 in./lbs - Loctite 620)	2
67	A	301125	Muffler Kit	1
68	A	105989	. Washer	2
69	A	84007	Gasket, Muffler	1
70	A	62345	Spark Plug, DJ8J (110-120 in./lbs)	1

LOCTITE KIT

PART NUMBER	DESCRIPTION
322235-02	Loctite Kit
322236	. Retaining Compound 620 (10 ml)
322237	. Thread Locker 242 (10 ml)
322238	. Gasket Eliminator 518 (50 ml)
322239-01	. Black Max Adhesive 380 (3 ml)
323749	. Thread Locker 262 (10 ml)
323762	. Anti-Seize Lubricant 767 (30 ml)

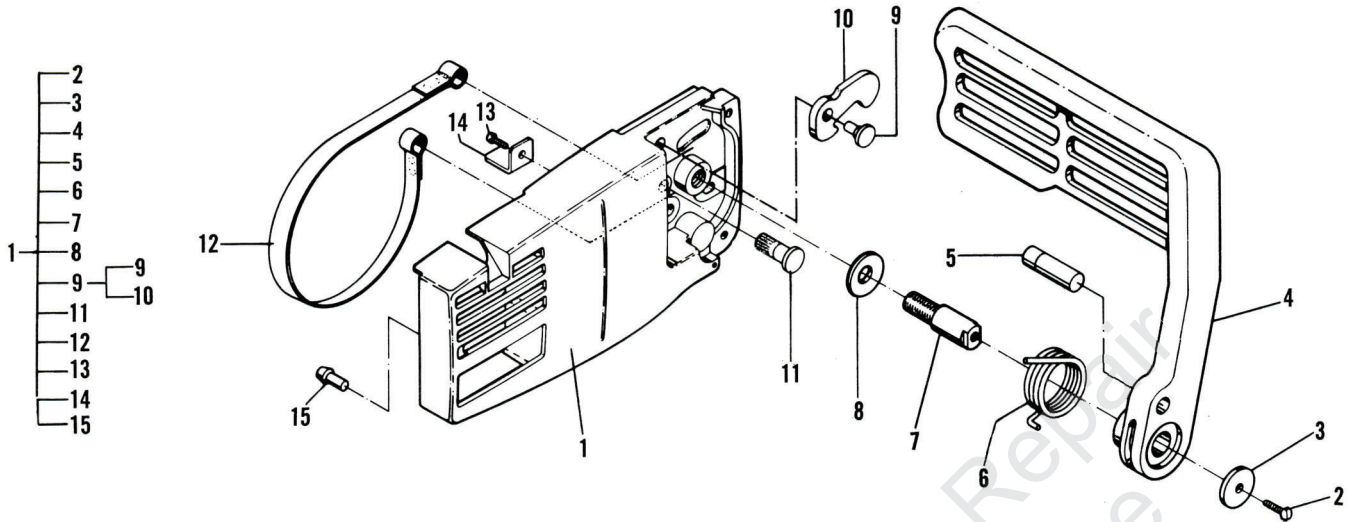


ENGINE SPECIFICATIONS

Displacement	3.75 cu.in. (60cc)	Clutch Engagement Speed	2800 to 3000 RPM
Bore	1.9 in. (47mm)	Idle Speed	1800 to 2000 RPM
Stroke	1.4 in. (35mm)	Fuel Tank Capacity	16.6 oz (510cc)
Cylinder Bore	Hard chrome	Fuel Type	Regular grade unleaded gas
Ignition	Electronic	Fuel / Oil Mixture	40:1
Lamination Gap	0.011 in. to 0.015 in. (0.28mm to 0.38mm)	Oil Tank Capacity	14.5 oz (430cc)
Timing	26 BTDC	Main Bearings	Needle and Ball
Spark Plug Gap	0.025 in. (0.63mm)	Connecting Rod Bearings	Needle
		Weight (Power Unit Only)	14.7 lbs

FIGURE 3

CHAIN BRAKE ASSEMBLY

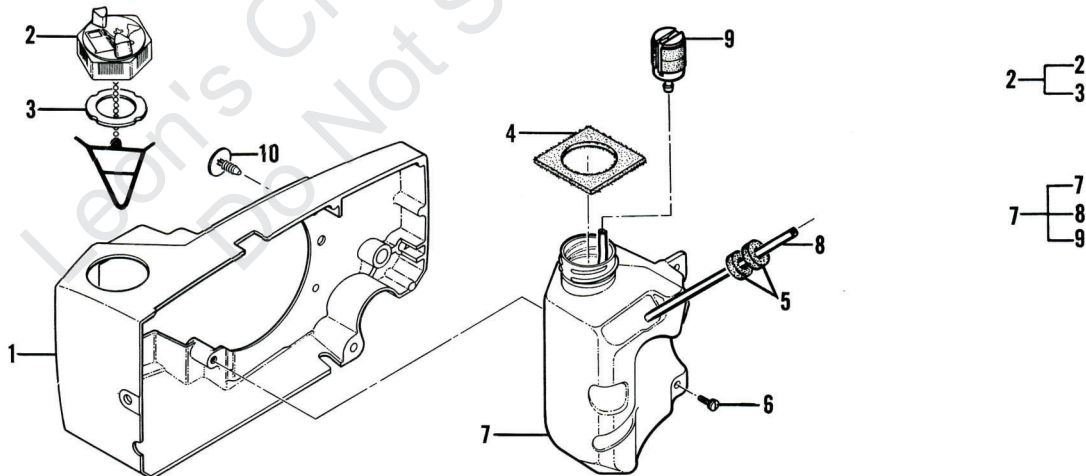


ITEM NO.	STK. CODE	PART NUMBER	DESCRIPTION	UNITS PER ASY.
1	C	301566	Brake Housing Assembly	1
2	A	216634	. Screw, 10-24 x .50 (Loctite 242)	1
3	A	216633	. Washer, .210 ID PL	1
4	A	217115	. Flag Assembly, Brake Act	1
5	A	214366	.. Pin Assembly, Roller	1
6	A	93085	. Spring, Brake	1
7	A	91246	. Pin, Lever Pivot	1
8	B	91245	. Washer, Thrust	1

ITEM NO.	STK. CODE	PART NUMBER	DESCRIPTION	UNITS PER ASY.
9	A	222478	. Pivot, Latch	1
10	-	---	.. Latch, Chain Brake	1
11	A	93082	. Pin, Band Anchor	1
12	A	93081	. Band, Brake	1
13	A	213147	. Screw, M5 x 16 TX PN Sems	1
14	B	92178	. Stop, Chain	1
15	B	92086	. Snubber, Brake Housing	1

FIGURE 4

FAN HOUSING AND FUEL TANK

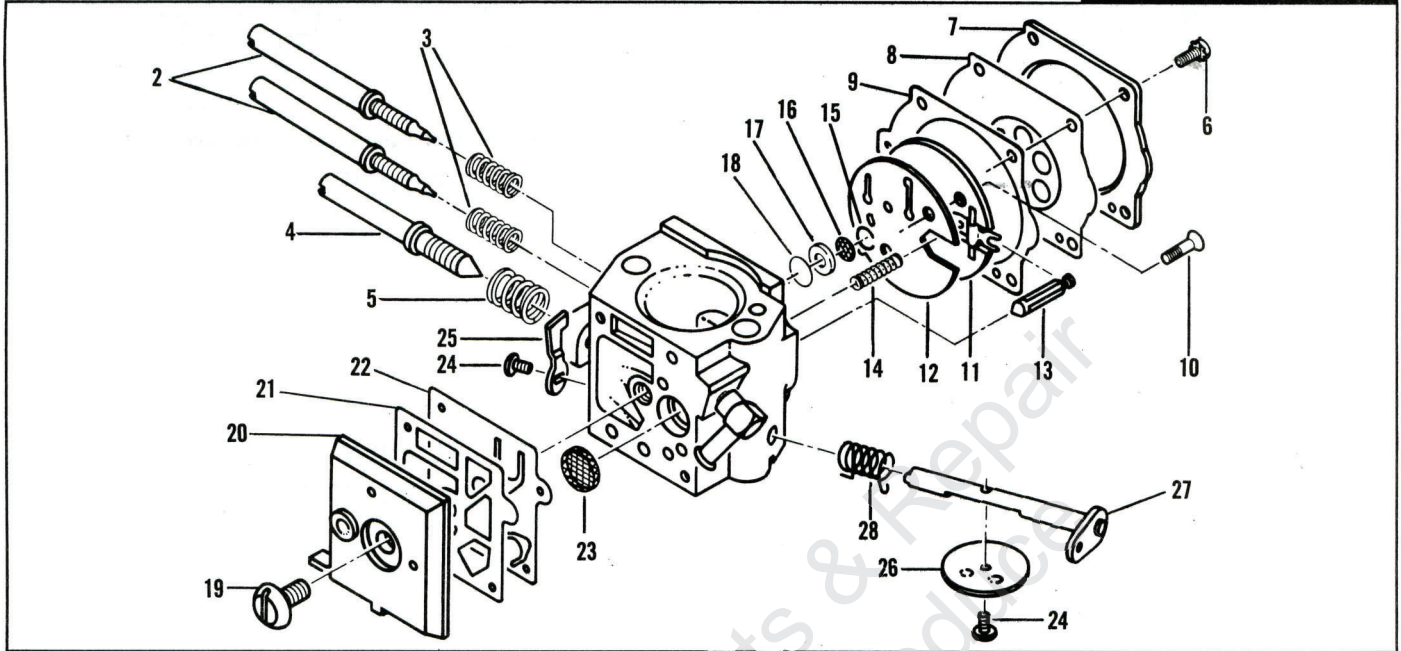


ITEM NO.	STK. CODE	PART NUMBER	DESCRIPTION	UNITS PER ASY.
1	A	216154	Housing, Fan	1
2	C	216157	Cap, Fuel w/Retainer	1
3	A	94707	. Gasket, Fuel Cap	1
4	B	93251	Seal, Fuel Vent	1
5	A	92161	Seal, Air Box	2

ITEM NO.	STK. CODE	PART NUMBER	DESCRIPTION	UNITS PER ASY.
6	A	120001	Screw, M4 x 12 PN HD Sems	2
7	B	224360	Tank Assembly, Fuel	1
8	C	224338	. Hose, Fuel	1
9	A	215714	. Pickup Assembly, Fuel	1
10	B	216316	Push Plug	1

CARBURETOR ASSEMBLY

FIGURE 5




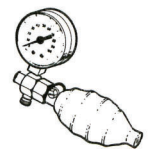

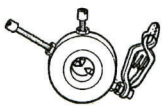


ITEM NO.	STK. CODE	PART NUMBER	DESCRIPTION	UNITS PER ASY.
1	A	95763-01	① Carburetor, Walbro HDB-6A	1
2	---	---	① Needle, High Speed/Idle	2
3	---	---	① Spring, Needle Adj	2
4	C	94798	. Screw, Idle	1
5	---	---	. Spring, Idle Adj	1
6	---	---	. Screw, Metering Cover	4
7	---	---	. Cover, Metering Diaphragm	1
8	---	① ②	. Diaphragm Assembly, Metering	1
9	---	① ②	. Gasket, Metering Diaphragm	1
10	---	---	. Screw, Circuit Plate	1
11	---	①	. Plate Assembly, Circuit	1
12	---	① ②	. Gasket, Circuit Plate	1
13	---	① ②	. Valve, Inlet Needle	1
14	---	① ②	. Spring, Metering Lever	1
15	---	① ②	. Ring, Screen Retaining	1

ITEM NO.	STK. CODE	PART NUMBER	DESCRIPTION	UNITS PER ASY.
16	---	① ②	. Screen, Check Valve	1
17	---	①	. Retainer, Check Valve	1
18	---	---	. Valve, Check	1
19	---	---	. Screw, Fuel Pump Cover	1
20	---	---	. Cover, Fuel Pump	1
21	---	① ②	. Gasket, Fuel Pump	1
22	---	① ②	. Diaphragm, Fuel Pump	1
23	---	① ②	. Screen, Inlet	1
24	---	---	. Screw, Valve	2
25	---	---	. Stop, Throttle	1
26	---	---	. Valve, Throttle	1
27	---	---	. Shaft Assembly, Throttle	1
28	---	①	. Spring, Throttle Return	1

① Contained in Major Repair Kit, P/N 217075
 ② Contained in Gasket Diaphragm Kit P/N 217092

SERVICE TOOLS

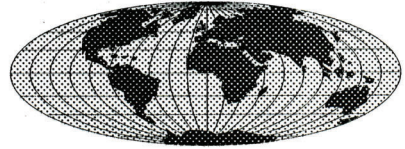
 Part No. 222785 - T-25 Torx Drive 3.5"	 Part No. 217720 - Torx Drive Set	 Part No. 91424 Tachometer	 Part No. 215432 Pressure Test Tool
 Part No. 111124 - T-27 Torx Drive 3.5"	 Part No. 323330 - Ignition Tester		

BAR AND CHAIN INFORMATION

FIGURE 6

BAR			CHAIN			TOOLS		
LENGTH	BAR TYPE	PART NO.	TYPE	LENGTH / DRIVE LINKS	PART NO.	FILE PLATE	FILE AND GUIDE PART NO.	ROUND FILE PART NO.
16"	Sprocket Tip	214237-33	PMR370GLX	16 in. / 60	218839-33	219132-33	301994-33 7/32 in.	219161-33 Twin Pack
20"		214238-33		20 in. / 70	218069-33			

McCULLOCH®



• **MANUFACTURING • SALES • SERVICE •**

P.O. Box 11900 • Tucson, AZ 85734

**FOR PERFORMANCE AND SAFETY REASONS USE ONLY GENUINE
McCULLOCH ACCESSORIES AND REPLACEMENT PARTS.**

**FOR WARRANTY OR SERVICE, CONTACT THE NEAREST
McCULLOCH AUTHORIZED SERVICE CENTER LISTED UNDER
"SAWS" IN YOUR TELEPHONE DIRECTORY YELLOW PAGES.**

**IF FURTHER ASSISTANCE IS REQUIRED,
CALL THIS TOLL-FREE HOT LINE.
PLEASE REFERENCE YOUR MODEL AND SERIAL NUMBER.**

1-800-423-6302

IN ARIZONA:

1-800-221-6507

M-F 6:00 AM - 4:30 PM (MST)