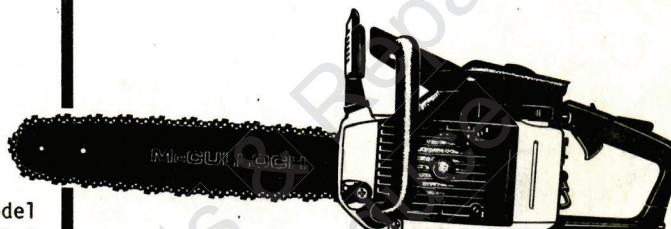


# ILLUSTRATED PARTS LIST

Super Pro Mac™ 610 MODELS	SERIAL NUMBER PREFIX
600041-01	13-
600041-02	13-
600041-04	13-
600041-06	13-
600041-09	13-
600041-10	13-
600041-11	13-
600041-15	13-
600041-17	13-
600041-21	13-
600041-22	13-
600041-23	13-
600041-24	13-
600041-27	13-
600041-28	13-

## SUPER PRO MAC™ 610 CHAIN SAWS



McCulloch Chain Saws are identified by a model number (in this instance 600041) followed by a suffix number (04, 06, 09, etc.) stamped on the identification plate attached to the saw. Suffix numbers denote variations in parts or assemblies used in the manufacture of this product.

Part numbers listed in this I.P.L. which have a circled number ① or numbers preceding the description, are used only on the model or models identified by a circled number ① or numbers.

Part numbers which have one or more dots (.) preceding their descriptions may be ordered individually, but they are also included in the kit or assembly whose description begins directly above the dot(s).

The policy of McCulloch Corporation is one of continual improvement in design, manufacturing and engineering advancement wherever possible to assure still finer power tools. Hence, specifications, equipment, colors, design and manufacturer's suggested list prices are subject to change without notice and McCulloch Corporation reserves the right to make such changes without prior notification or obligation to backfit or supply backfit components for units previously shipped from the factory.

### - CONTENTS -

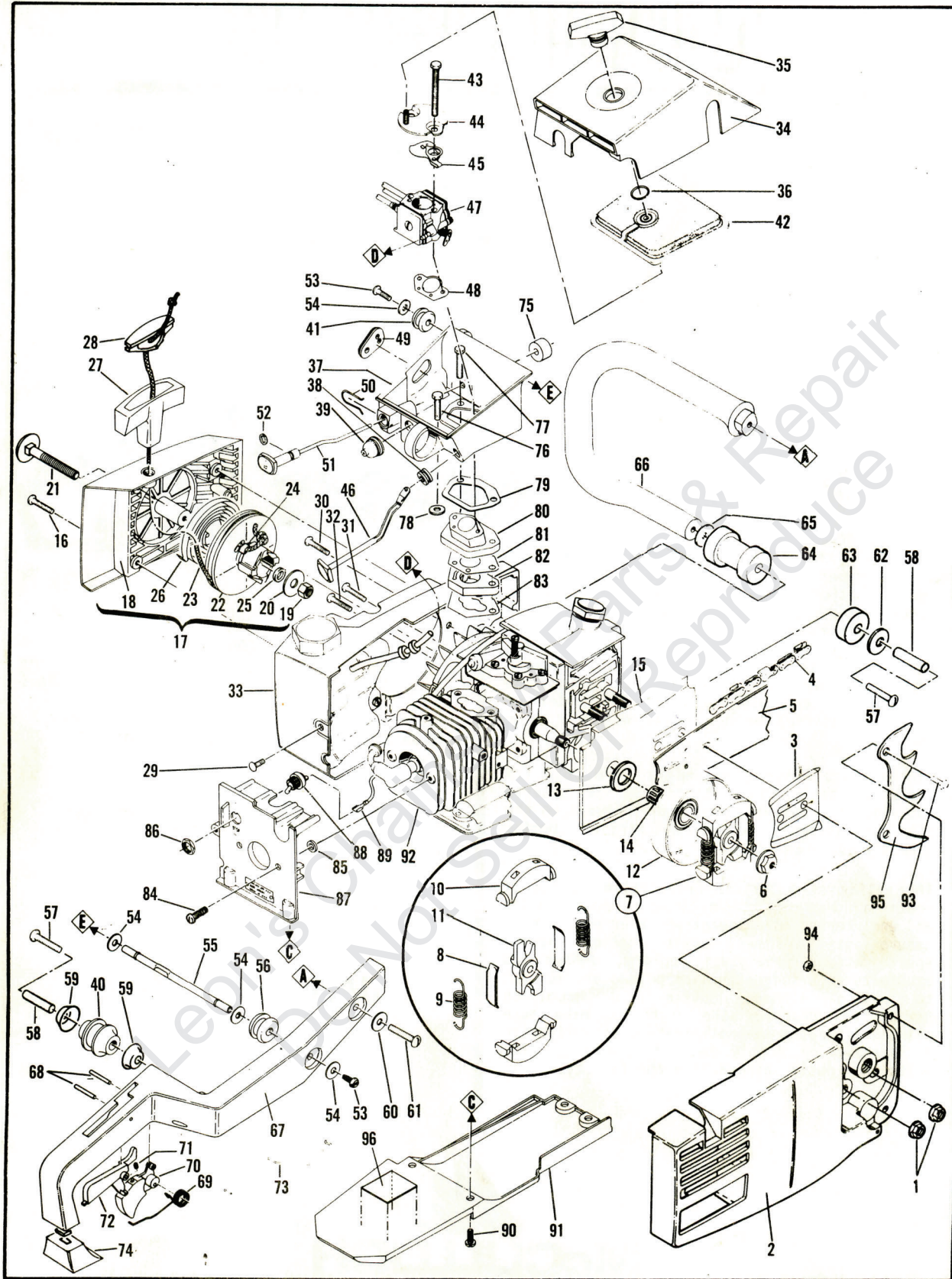
	PAGE
FIGURE 1. General . . . . .	2
FIGURE 2. Powerhead and Oiler Assemblies . . . . .	4
FIGURE 3. Chain Brake . . . . .	6
FIGURE 4. Fan Housing and Fuel Tank . . . . .	6
FIGURE 5. Carburetor Assembly . . . . .	7
FIGURE 6. Specifications . . . . .	7
FIGURE 7. Bar/Chain/Sharpening Tools . . . . .	8
FIGURE 8. Tools and Accessories . . . . .	8

JANUARY 1988



**McCULLOCH CORPORATION**

Figure 1 GENERAL ASSEMBLY

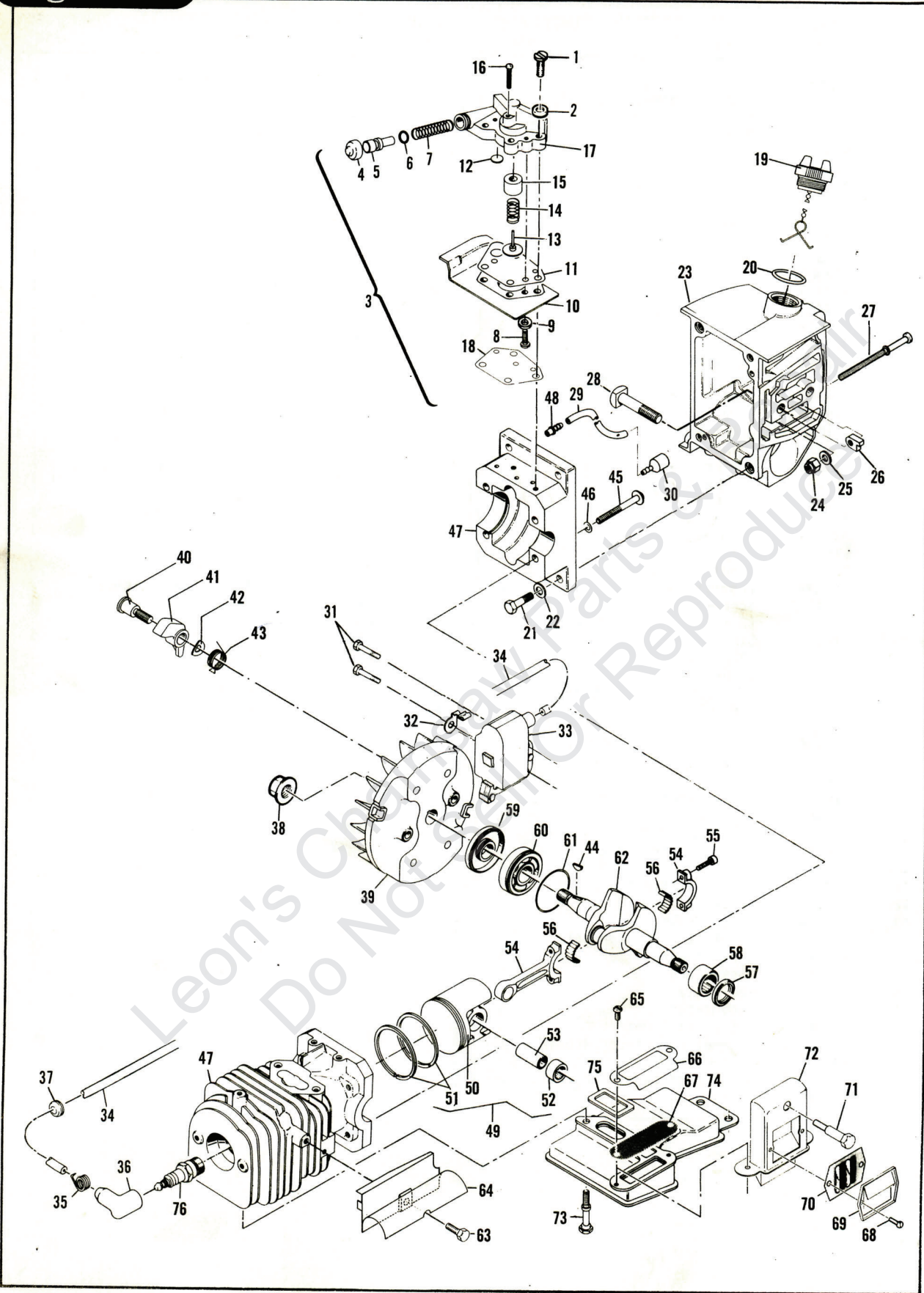


**FIGURE 1 GENERAL ASSEMBLY**

ITEM NO.	PART NUMBER	DESCRIPTION	UNITS PER ASY.	ITEM NO.	PART NUMBER	DESCRIPTION	UNITS PER ASY.
1	216645	Nut-Hex Flange M8 (Hand Tighten Securely)	1	53	215266	Screw-M5x0.80 (25-30 in. lb. torque)	2
2	Fig. 3	Brake Asy-Chain	1	54	110990	Washer	4
3	64325	Plate-Bar Guide	1	55	93252-01	Strut-Handle	1
4	Fig. 7	Chain Asy	1	56	93253	Grommet-Strut	1
5	Fig. 7	Bar Asy	1	57	111015	Screw-1/4-14x2.5 (70-80 in. lb. torque)	2
6	92457	Nut-Hex Flange M10	1	58	92071	Spacer	2
7	214301	Clutch Asy	1	59	92066	Cup-Isolator	2
8	64583	.Retainer-Spring	2	60	102115	Washer-Plain	1
9	83223	.Spring	2	61	111014	Screw-1/4-14x1.75 (70-80 in. lb. torque)	1
10	67233	.Kit-Clutch Shoe (2)	1	62	111027	Washer-Flat	1
11	214300	.Rotor	1	63	93913	Isolator	1
12	214979	Drum/Sprocket Asy	1	64	94140	Isolator	1
13	86958	.Washer-Shim	1	65	111027	Washer-Flat	1
14	110971	Bearing-Needle	1	66	91951	Frame	1
15	92354	Jacket-Cylinder	1	67	214723	Handle Asy-Rear	1
16	120081	Screw-M4x16 (15-20 in. lb. torque)	4	68	110994	. Pin-Roll	2
17	219159	Starter/Drum Asy	1	69	93771	. Spring-Trigger	1
18	219976	. Housing	1	70	93538-01	. Trigger Assembly	1
19	111038	. Nut-1/4-20	1	71	111013	.. Screw-Set	1
20	95401	. Washer	1	72	91955	. Release-Trigger	1
21	215848	. Bolt-Step	1	73	214504	. Rod-Throttle	1
22	219163	. Drum Asy	1	74	93459	Boot-Handle	1
23	87670	. . Rope	1	75	92161	Seal-Air Box	1
24	217730	. . Bushing	1	76	120037	Screw-M5-25 (35-40 in. lb. torque)	1
25	216589	. Spacer-Starter	1	77	120039	Screw-M5x30 (35-40 in. lb. torque)	2
26	87680	. Spring-Rewind	1	78	93460	Washer-Insulator	1
27	93137	Handle-Starter	1	79	94018	Gasket-Air Box	1
28	214699	Insert-Handle	1	80	94017-01	Insulator-Carburetor	1
29	120002	Screw-M5x14 (30-35 in. lb. torque)	1	81	91933	Gasket-Insulators	1
30	93232	Screw-M5x40 (45-50 in. lb. torque)	1	82	91934	Insulator-Air Box	1
31	93233	Screw-M5x30 (45-50 in. lb. torque)	1	83	92038	Gasket-Insulator	1
32	93234	Screw-M5x30 (45-50 in. lb. torque)	1	84	120037	Screw-M5x25 (45-50 in. lb. torque)	2
33	Fig. 4	Fan Hsg./Fuel Tank Asy	1	85	93460	Washer-Insulator	2
34	217651	Cover Asy.-Air Filter	1	86	104810	Nut-Hex 15/32-32 (30-35 in. lb. torque)	1
35	91991	. Knob	1	87	218561	Shroud-Cylinder	1
36	110565	. Ring-Knob Retaining	1	88	93890	Switch-Ignition	1
37	95216	Box Asy-Air	1	89	92466	Wire Asy-Switch	1
38	93261	. Grommet-Choke	1	90	120002	Screw-M5x14 (45-50 in. lb. torque)	4
39	69597	. Boot-Control Rod	1	91	214670	Shroud-Bottom	1
40	92065	. Isolator	1	92	Fig. 2	Powerhead Asy	1
41	93253	. Grommet-Strut	1	93	120002	Screw-M5x14	2
42	95218	Filter-Air	1	94	120044	Nut-Hex M5	2
43	120004	Screw-M5x56 (35-40 in. lb. torque)	2	95	93668	Spike-Bucking	1
44	91938	Bracket-Air Filter	1	96	219058	Decal-Safety	1
45	94151	Choke-Carb	1				
46	94171	Rod-Choke	1				
47	Fig. 5	Carburetor	1				
48	91924	Gasket-Carburetor	1				
49	91995-01	Grommet-Carburetor Needle	1				
50	93458	Clip-Oiler Button	1				
51	92067-01	Button/Rod Asy-Oiler	1				
52	105614	Ring-"0"	1				

Figure 2

# POWERHEAD & OILER ASSEMBLIES



**FIGURE 2 POWERHEAD & OILER ASSEMBLY**

ITEM NO.	PART NUMBER	DESCRIPTION	UNITS PER ASY.
1	120036	Screw-M4x16	4
2	67177	Washer-Insulating	4
3	219991	Pump Asy-Oiler	1
4	215151	. Cap	1
5	93933	. Plunger	1
6	105614	. Ring-"0"	1
7	66687	. Spring-Plunger	1
8	110706	. Screw-8-18x1/2	3
9	216354	. Gasket-Washer	1
10	217218	. Cover-Diaphragm	1
11	216992	. Diaphragm	1
12	-- --	. Valve	1
13	91945	. Piston Asy	1
14	94322	. Spring-Return	1
15	91944	. Sleeve	1
16	218530	. Screw-6-40x.875	1
17	219336	. Body Asy	1
18	91950	Gasket-Oil Pump	1
19	216052	Cap/Retainer Asy-Oil	1
20	101148	Ring-"0"	1
21	120006	Screw-M6.3x24	4
22	100004	Washer-Plain 1/4"	4
23	218583	Tank Asy-Oil	1
24	110950	. Nut-Lock	1
25	102115	. Washer-Plain	1
26	91982	. Nut-Bar Adjustment	1
27	94362	. Screw-Bar Adjustment	1
28	92459	. Bolt-Bar	2
29	92616	Hose-Oil Pickup	1
30	92465	Pickup-Oil	1
31	120037	Screw-M5x25 (55-60 in. lb. torque)	2
32	84686-01	Wire Asy-Ground	1
33	95553	Ignition Asy-CDI 223708-01	1
34	95270	. Wire Asy-Spark	1
35	102556	. Connector-Spark Plug	1
36	95266	. Boot-Spark Plug	1
37	110995	. Grommet-Spark Plug Wire	1
38	219372	Nut-Flange M10 (265-325 in. lb. torque)	1
39	95324	Flywheel/Pawl Asy	1
40	95362	. Screw-Pawl	2
41	95361	. Pawl-Starter	2
42	213253	. Washer-Spring	2
43	93144	. Spring-Pawl	2

ITEM NO.	PART NUMBER	DESCRIPTION	UNITS PER ASY.
44	100106	Key-Woodruff	1
45	62106	Screw-12-24x1 3/4 (70-75 in. lb. torque)	4
46	111025	Washer-Sealing	4
47	94536	Cyl/C'Case Asy	1
48	92096	. Nipple-Oil Line	1
49	94130	Piston Asy	1
50	95223	. Piston	1
51	94132	. Ring Set-Piston (2)	1
52	111021	. Bearing-Needle	2
53	69020	Pin-Piston	1
54	85352	Rod Asy-Connecting	1
55	61627-01	. Screw-Connecting Rod (55-65 in. lb. torque)	2
56	63225	. Roller-Needle (Set of 20)	1
57	110260	Seal-Oil	1
58	104357	Bearing-Needle	1
59	67906	Seal-Oil	1
60	67905	Bearing-Ball	1
61	63464	Ring-Snap	1
62	217041	Crankshaft	1
63	102762	Screw-10-24x1/2 (55-60 in. lb. torque)	1
64	217606	Deflector-Exhaust	1
65	120038	Screw-M4x8 (35-45 in. lb. torque)	2
66	93481	Plate-Deflector	1
67	214205	Screen-Muffler	1
68	216627	Screw-6-32x.25 (30-35 in. lb. torque)	2
69	93482	Cover-Chamber	1
70	93605	Screen-Muffler	1
71	95445	Screw-Muffler (55-60 in. lb torque)	1
72	216254	Chamber Asy-Muffler	1
73	95444	Screw-Muffler (65-75 in. lb. torque)	2
74	93603	Muffler Asy	1
75	84007	Gasket-Muffler	1
76	62345 ①	Spark Plug-DJ8J Champion	1
	93017 ②	Spark Plug-RDJ6 Champion (120 in. lb. torque)	1

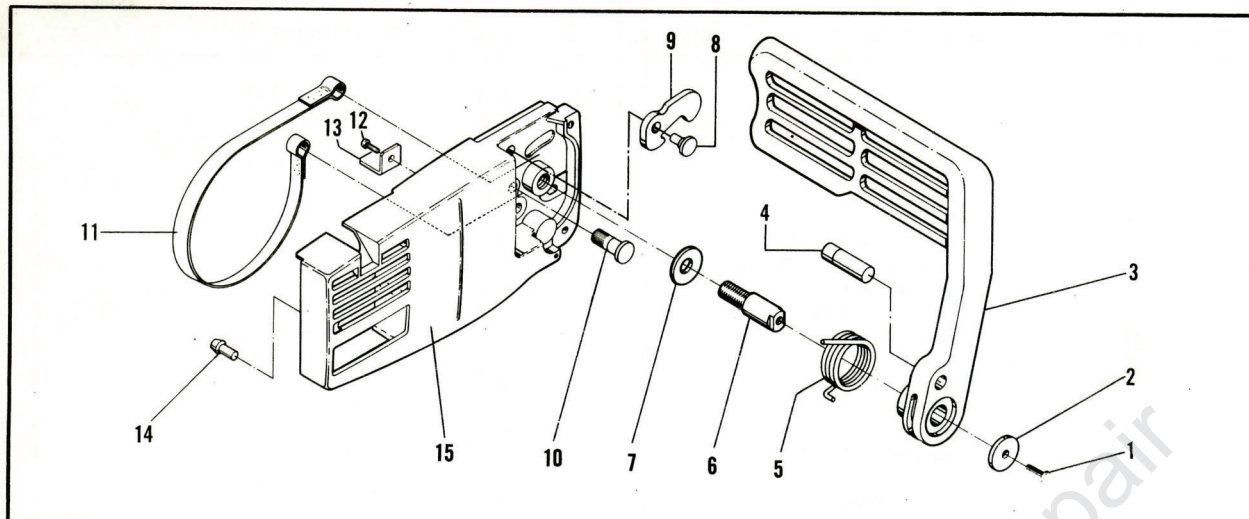
① Used on the following models:

- 13600041-01
- 13600041-04
- 13600041-06
- 13600041-09
- 13600041-10
- 13600041-11
- 13600041-15
- 13600041-17
- 13600041-21
- 13600041-27
- 13600041-28

② Used on the following models:

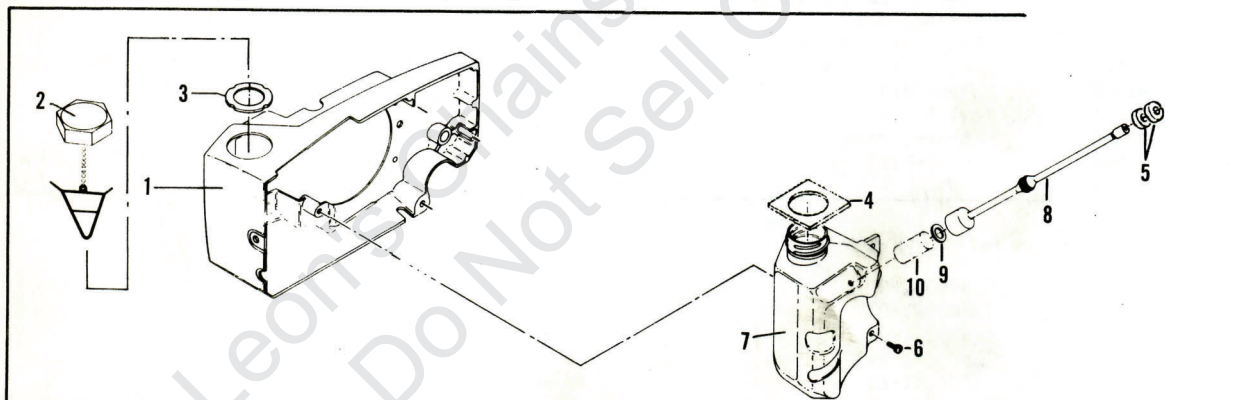
- 13600041-02
- 13600041-22
- 13600041-23
- 13600041-24

# Figure 3 CHAIN BRAKE\*



ITEM NO.	PART NUMBER	DESCRIPTION	UNITS PER ASY.	ITEM NO.	PART NUMBER	DESCRIPTION	UNITS PER ASY.
	217697	Brake Assembly	1	8	94144	. Pivot - Latch	1
1	216634	. Screw 10-24 x .50	1	9	217235	. Latch - Chain Brake	1
2	216633	. Washer - Plain	1	10	93082	. Pin - Band Anchor	1
3	217115	. Flag Assembly - Brake	1	11	93081	. Band - Brake	1
4	214366	. . Pin Assembly - Roller	1	12	216687	. Screw - M5 x 14.25	1
5	93085	. Spring - Brake	1	13	92178	. Stop - Chain	1
6	91246	. Pin - Lever Pivot	1	14	92086	. Snubber - Brake Housing	1
7	91245	. Washer - Thrust	1	15	217698	. Housing - Brake	1

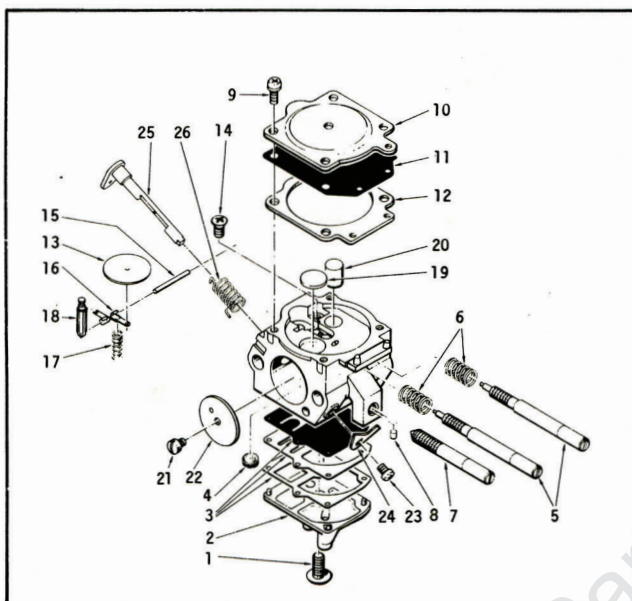
# Figure 4 Fan Housing & Fuel Tank



ITEM NO.	PART NUMBER	DESCRIPTION	UNITS PER ASY.	ITEM NO.	PART NUMBER	DESCRIPTION	UNITS PER ASY.
1	216154	Housing-Fan	1	7	94901	Tank Asy-Fuel	1
2	216157	Cap/Retainer Asy-Fuel	1	8	94899	. Hose Asy-Fuel	1
3	94707	. Gasket-Fuel Cap	1	9	100440	. . Washer-.340ID x .055	1
4	93251	Seal-Fuel Vent	1	10	63932	. . Filter-Fuel	1
5	92161	Seal-Air Box	1				
6	120068	Screw-Pan Hd M4x12 (Sems)	2				

# CARBURETOR ASSEMBLY

## Figure 5



ITEM NO.	PART NUMBER	DESCRIPTION	UNITS PER ASY.
	95763	Carburetor Asy. (Zama C-2S)	
1	-	Screw - Pump Cover	1
2	214954	Cover - Pump	1
3	-	Kit - Pump Diaphragm	1
4	-	Screen - Filter	1
5	-	Screw - Adjustment	2
6	-	Spring - Adjustment Screw	2
7	-	Screw - Throttle Adjustment	1
8	-	Piece - Friction	1
9	93945	Screw - Diaphragm Cover	4
10	214945	Cap	1
11	-	Diaphragm - Main	1
12	-	Gasket - Main	1
13	-	Disk	1
14	-	Screw Pin Lever	1
15	-	Pin - Arm	1
16	-	Arm - Needle Valve	1
17	-	Spring - Arm	1
18	-	Valve - Needle	1
19	-	Plug - Welsh	1
20	-	Orifice - Main Fuel	1
21	-	Screw - Plate	1
22	-	Valve - Throttle	1
23	-	Screw	1
24	-	Lever - Throttle Adjustment	1
25	-	Shaft Assembly - Throttle	1
26	-	Spring - Throttle Return	1

- ① Contained in Repair Kit, P/N 214959.
- ② Contained in Gasket/Diaphragm Kit, P/N 218892.

NOTE: Items are listed for identification and disassembly sequence purposes and only those items with part numbers listed or items included in the repair kits are available as service parts.

# SPECIFICATIONS

## Figure 6

Displacement	3.7 cu. in. (60cc)
Bore and Stroke	1.9 in. x 1.5 in. (4.7mm to 35mm)
Ignition	Electronic (C.D.I.)
Lamination Gap	.011 in. to .015 in. (.28mm to .38mm)
Timing	26 BTDC
Spark Plug Gap	.025 in. (.63mm)
Clutch Engagement Speed	2800 to 3000 RPM
Idle Speed	1800 to 2000 RPM
Fuel Tank Capacity	17.3 Ounces (510cc)
Fuel Type	Regular Grade Leaded or Unleaded Gas
Fuel/Oil Mixture	40:1 Using McCulloch Oil 20:1 Using SAE Two Cycle
Oil Tank Capacity	14.6 Ounces (430cc)
Main Bearings	Needle and Ball
Connecting Rod Bearings	Needle
Weight (Power Unit Only)	14.7 Lbs.

# Figure 7 Bar/Chain/Chain Sharpening Tools

## LOW KICKBACK CHAIN

## 370 GLX

PART NUMBER	BAR DESCRIPTION	PART NUMBER	CHAIN DESCRIPTION	FILE PLATE PART NUMBER	ROUND FILE PART NUMBER
214237	Sprocket Tip 16"	218839-12	PMR 370GLX-60CL	219132	219161* 56698-23**
217025	Sprocket Tip 18"	218062-12	PMR 370GLX-66CL	219132	219161* 56698-23**
214238	Sprocket Tip 20"	218069-12	PMR 370GLX-70CL	219132	219161* 56698-23**

## STANDARD CHAIN

## 370 G

PART NUMBER	BAR DESCRIPTION	REPLACEABLE NOSE ASSEMBLY	PART NUMBER	CHAIN DESCRIPTION	FILE GUIDE PART NUMBER	ROUND FILE PART NUMBER
86846-00	Sprocket Nose 24"	86830	218070-14	PMR 370G-81CL	86826	219161* 56698-23**
86846-05	Sprocket Nose 24"	219975	218070-14	PMR 370G-81CL	86826	219161* 56698-23**

### WARNING CAUTION

Saw chain listed in the chart above DOES NOT have a kickback-reducing guard link and should be used ONLY by experienced professional chain saw operators.

Chain with reduced kickback potential is available from chart listed above and should always be used unless you have experience and specialized training for dealing with kickback.

\* 7/32" Round File Twin Pack  
\*\* 7/32" Round File 12-Pack

# Figure 8 - TOOLS & ACCESSORIES

PART NUMBER	DESCRIPTION	PART NUMBER	DESCRIPTION
215432	Pressure Test Tool	69794	Locquic
63137	Adaptor - Exhaust	110083	R.T.V. Sealant
94415	Adaptor - Intake	94121	Kit - Carrying Case 20 Inches
84223	Kit - Piston Tools	214203	. Scabbard 20 Inches
214226	Air Filter - Felt		
214221	Scrench		
214195	Gun-Lube (Disposable)		40:1 Custom Lubricant
214194	Gun-Lube (Deluxe)	87885	Case 12-1 Qt. Bottles
214208	Kit - Spike	93770	Case 48-6 ounces cans



900 Lake Havasu Ave.  
Lake Havasu City, AZ 86403-2891

• MANUFACTURING • SALES • SERVICE •

FOR SERVICE-RELATED PROBLEMS,  
REPAIR OR MAINTENANCE  
TAKE YOUR UNIT TO THE NEAREST  
AUTHORIZED McCULLOCH SERVICING  
DEALER LISTED UNDER SAWS IN YOUR  
TELEPHONE DIRECTORY YELLOW PAGES.

If additional assistance is required, call this toll-free hot-line:  
(800) 423-6302

Arizona residents call collect (602) 453-3881