

Chain Saw

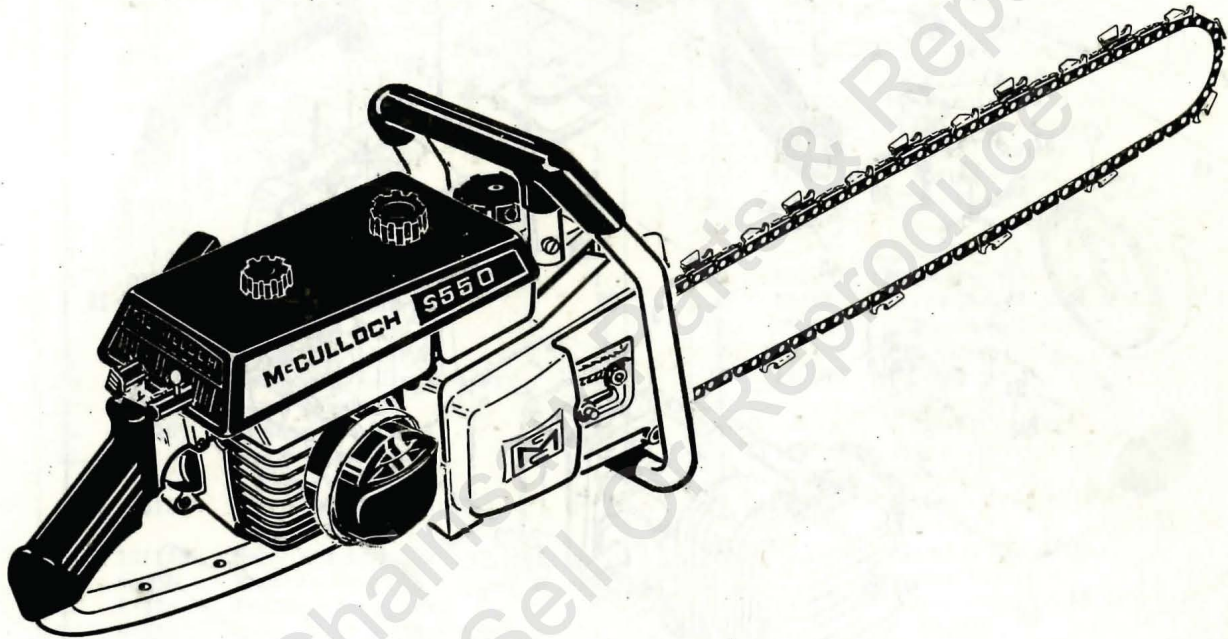
SUPER 550

Model No. 600110

Serial Nos. Prefixed 13- & A12-

ILLUSTRATED PARTS LIST

JUNE 1970



The policy of McCulloch Corporation is one of continual improvement in design, manufacturing and engineering advancement wherever possible to assure still finer two-cycle power tools. Hence, specifications, equipment, colors, design and manufacturer's suggested list prices are subject to change without notice and McCulloch Corporation reserves the right to make such changes without prior notification or obligation to backfit or supply backfit components for units previously shipped from the factory.

	Page
Figure 1. Engine Exploded View - General	2
Figure 2. Starter and Crankcase Cover Assemblies	4
Figure 3. Oiler Tank and Fuel Tank Assemblies	6
Figure 4. Cover and Airbox Assemblies	8
Figure 5. Carburetor Assembly	10
Figure 6. Powerhead Assembly	12
Figure 7. Clutch Guard - Bar and Chain Assembly	14



Copyright 1970 U.S.A.
McCulloch Corporation

84282

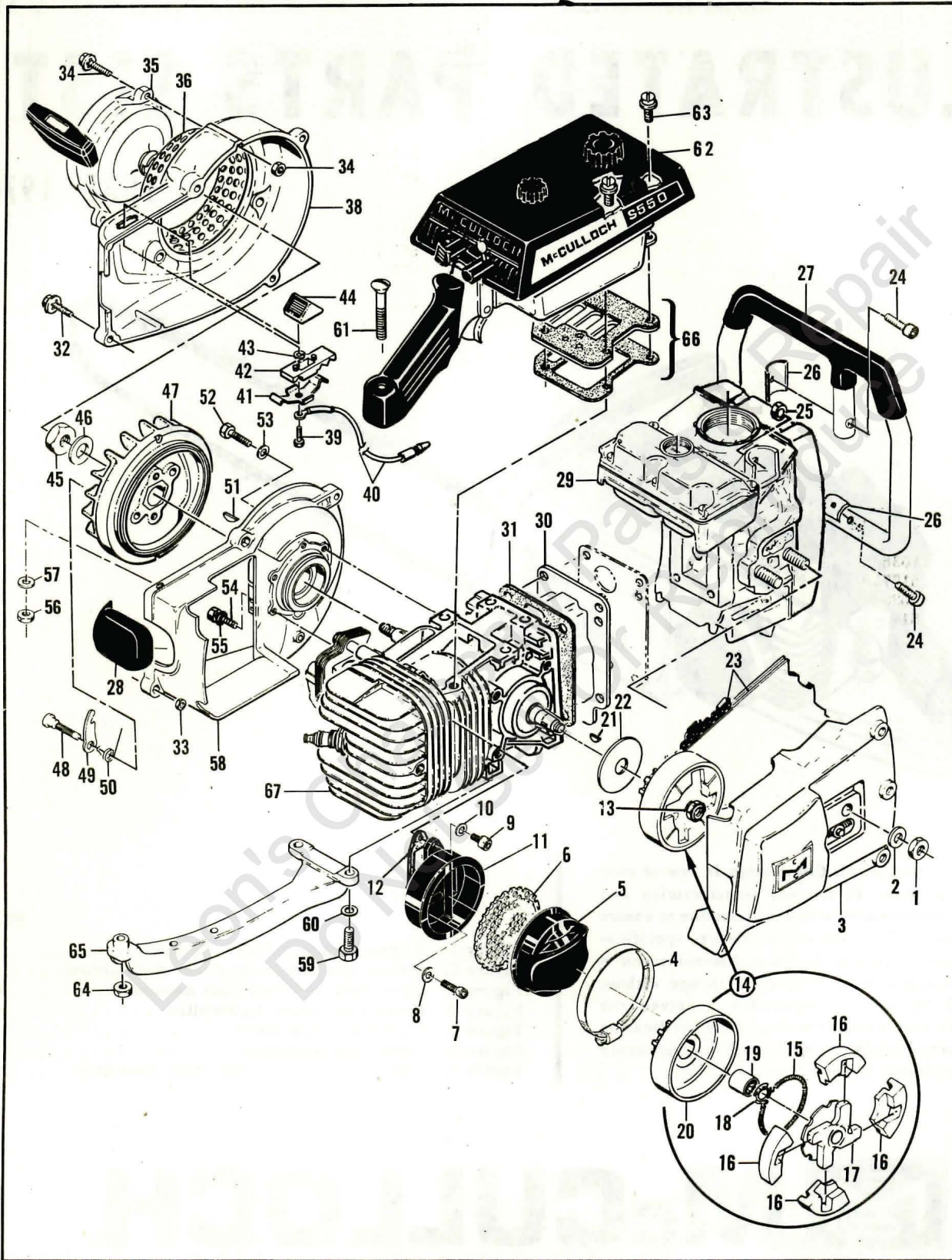


Figure 1. Engine Exploded View - General

FIGURE 1. ENGINE EXPLODED VIEW--GENERAL.

Item No.	Part Number	Description	Units Per Assy	Item No.	Part Number	Description	Units Per Assy
1	110625	Nut - Hex 3/8-24	2	33	101326	Nut - Hex 10-24	3
2	100006	Washer - 3/8	2	34	101191	Nut - Hex 10-24	3
3		Clutch Guard Assy (See Figure 7)		35		Starter Assy (See Figure 2)	
	68240	Kit - Spark arrester	1	36	50581A	Guard - Sawdust	1
4	83368	. Clamp Assy	1	37	Delete		
5	68238	. Top Assy	1	38	53488	Fan Housing Assy	1
6	69325	. Baffle	1	39	103672	. Screw - Hex hd 8-32 x 1/2	1
7	101563	. Screw - Skt hd 10-24 x 1-1/4	1	40	53490	. Wire Assy - Stop switch	1
8	83745	. Washer - Special	1	41	59592	. Contact - Switch	1
9	104895	. Screw - Skt hd 10-24 x 5/8	2	42	59591	. Base - Switch	1
10	83745	. Washer - Special	2	43	100057	. Lockwasher - #8	1
11	68241	. Bottom Assy	1	44	57718	. Button - Switch	1
12	83379	Gasket - Spark arrester	1	45	101179	Nut - Hex 7/16-20	1
13	110625	Nut - Hex 3/8-24	1	46	101270	Washer - 7/16	1
14		Clutch, Sprocket, Drum & Bearing Assy	1	47	68282	Flywheel & Pawl Assy	1
	60315	Clutch Assy	1	48	36144B	. Pin - Starter pawl	2
15	51468A	. Spring - Clutch	1	49	24093	. Pawl - Starter	2
16	51464A	. Shoe - Clutch	4	50	66351	. Spring - Pawl	2
17	60316	. Rotor Assy - Clutch	1	51	103879	Key - Woodruff	1
18	103718	Spring - Thrust	1	52	102289	Screw - Hex hd 10-24 x 3/4	4
	51774B	Sprocket, Drum & Bearing Assy	1	53	102189	Washer - #10	3
19	103688	. Bearing - Needle	1	54	55494	Screw Assy - Sealing	2
20	51775B	. Sprocket & Drum Assy	1	55	55492	. Washer - Sealing	2
21	103879	Key - Woodruff	1	56	101326	Nut - Hex 10-24	1
22	51420	Washer - Sprocket	1	57	105048	Washer - #10	1
23		Bar & Chain Assy (See Figure 7)		58		Crankcase Cover Assy (See Figure 2)	
24	105187	Screw - Skt hd 1/4-20 x 1-1/8	3	59	100882	Screw - Hex hd 1/4-20 x 3/4	2
25	101143	Nut - Hex 1/4-20	3	60	100004	Washer - 1/4	2
26	83233	Spacer - Frame	3	61	104435	Screw - Oval hd 10-24 x 1-3/4	1
27	83429	Frame & Grip Assy	1	62		Cover & Airbox Assy (See Figure 4)	
28	57565	Cover Assy - Spark plug	1	63	110127	Screw - Hex hd 10-24 x 7/8 (SEMS)	4
29		Oiler Tank & Fuel Tank Assys (See Figure 3)		64	101191	Nut - Hex 10-24	1
30	60251A	Cover - Crankcase bottom	1	65	65332	Brace - Handle	1
31	65654	Gasket - Bottom	1	66		Reed Plate Assy (See Figure 4)	
32	104815	Screw - Hex hd 10-24 x 7/8 (SEMS)	7	67		Powerhead Assy (See Figure 6)	

SERVICE SPECIFICATIONS

Spark Plug Gap	-----	0.025 in.
Lamination Gap	-----	0.010 to 0.015 in.
Breaker Point Gap	-----	0.018 in.
Carburetor Adjustment		
Idle Needle	- Preliminary adjustment 1 turn open. Adjust for smooth idle and acceleration.	
Main Needle	- Preliminary adjustment 1 turn open. Adjust for maximum power under load.	
Torque Values		
Flywheel Nut	-----	350 to 400 inch-pounds.
Clutch Nut	-----	240 to 300 inch-pounds.
Connecting Rod Screws	-----	105 to 110 inch-pounds.

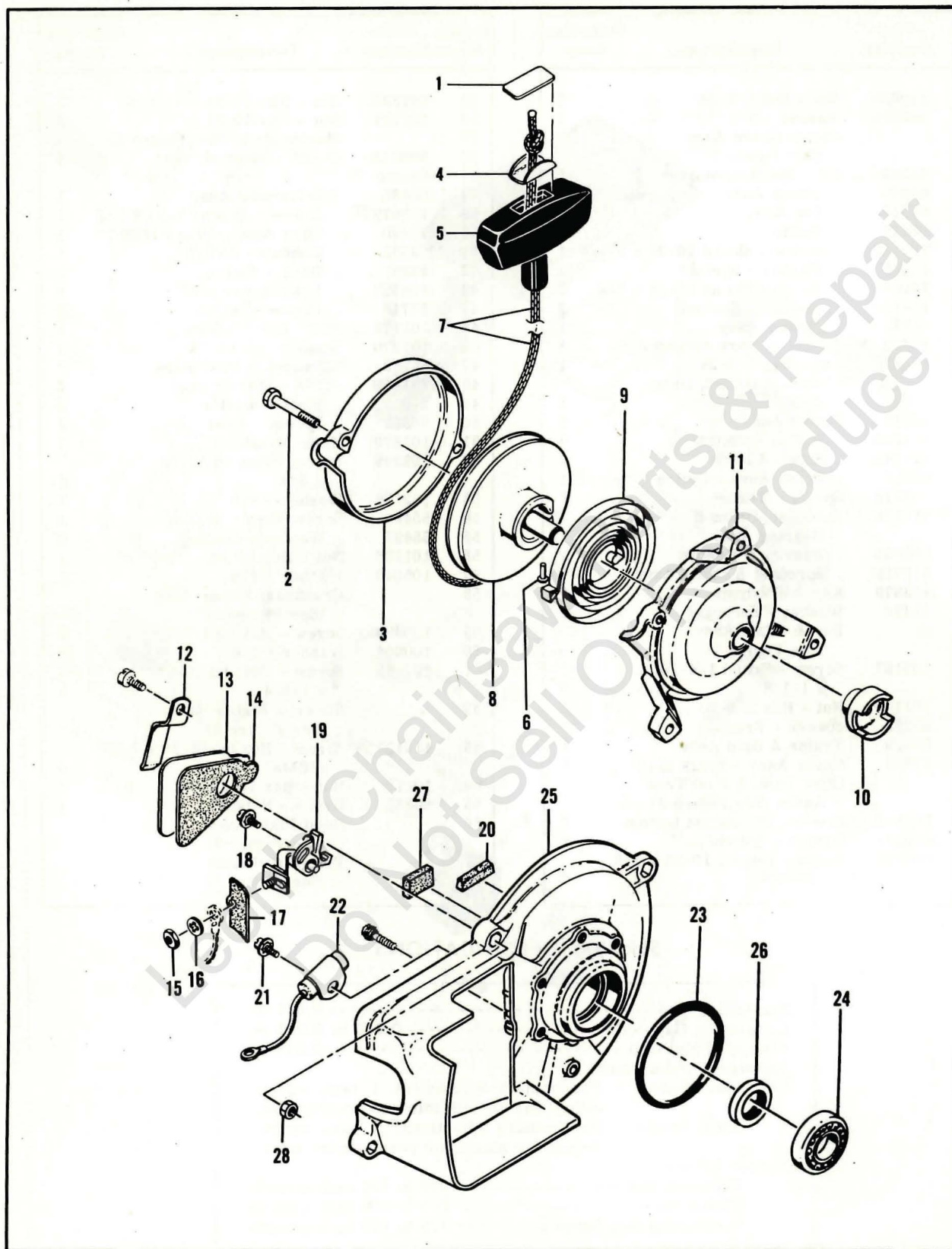


Figure 2. Starter and Crankcase Assemblies

FIGURE 2. STARTER AND CRANKCASE COVER ASSEMBLIES.

Item No.	Part Number	Description	Units Per Assy
	84211	Starter Assy	1
1	57232	. Plate - Starter handle	1
2	104396	. Screw - Pan hd 10-24 x 3/4	2
3	60647	. Cover - Starter	1
4	57231	. Cup - Starter handle	1
5	57230	. Handle - Starter	1
6	101136	. Rivet	1
7	28716	. Rope - Starter	1
8	84185	. Drum - Starter	1
9	51665	. Spring - Rewind	1
10	57790	. Ratchet - Starter	1
11	84212	. Base - Starter	1
12	50671	Retainer - Breaker box cover	1
13	50588A	Cover - Breaker box	1

Item No.	Part Number	Description	Units Per Assy
14	65584	Gasket - Breaker box	1
15	100251	Nut - Hex 8-32	1
16	100057	Lockwasher - #8	1
17	50381A	Insulator - Breaker terminal	1
18	103672	Screw - 8-32 x 1/2 (SEMS)	1
19	50076A	Breaker Assy	1
20	50664	Felt - Breaker box	1
21	103672	Screw - 8-32 x 1/2 (SEMS)	1
22	50074	Condenser	1
23	104523	"O" Ring	1
24	100824	Bearing - Ball	1
25	57126A	Crankcase Cover Assy	1
26	50663	. Seal - Oil	1
27	54184	. Wiper - Felt	1
28	101326	. Nut - Hex 10-24	2

Leon's Chainsaw Parts & Reproduction
Do Not Sell Or Reproduce

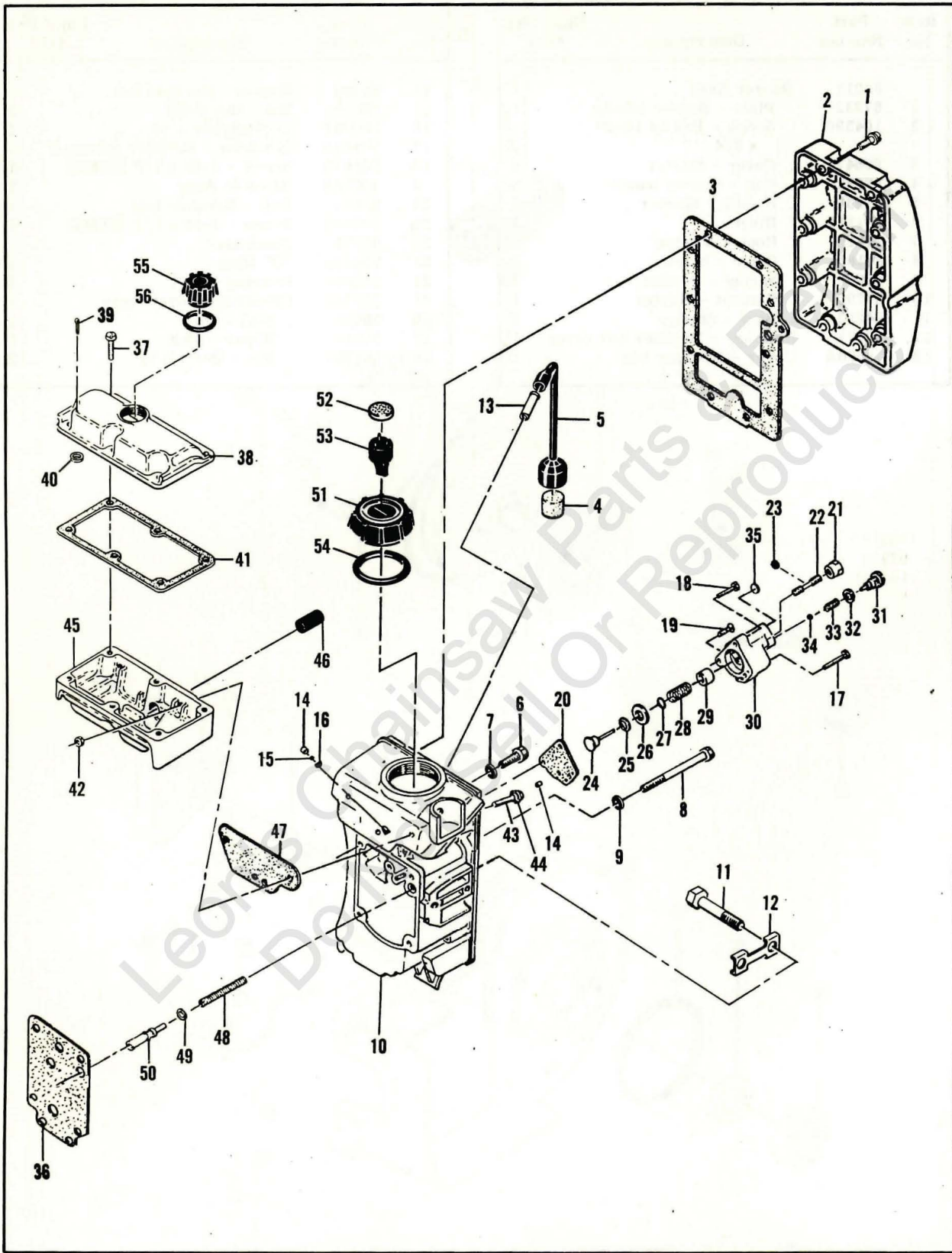


Figure 3. Oiler Tank and Fuel Tank Assemblies

FIGURE 3. OILER TANK AND FUEL TANK ASSEMBLIES

Item No.	Part Number	Description	Units Per Assy	Item No.	Part Number	Description	Units Per Assy
1	104396	Screw - Pan hd 10-24 x 3/4	10	28	60259	Spring - Piston	1
2	68988	Cover - Fuel tank	1	29	67918	Sleeve - Piston	1
3	65580	Gasket - Fuel tank cover	1	30	83132	Body Assy - Pulse pump	1
4	50124A	Filter - Fuel	1	31	60397A	Screw - Fil hd special	1
5	50082	Hose - Flex	1	32	60398B	Washer	1
6	57840	Screw Assy - Sealing	3	33	60396B	Spring - Ball check	1
7	50261	Washer - Sealing 1/4	3	34	102809	Ball - Steel 0.093 in. dia.	1
8	50523	Screw - Sealing	1	35	110157	Plug - Expansion 9/16	1
9	50261	Washer - Sealing 1/4	1	36	65669	Gasket - Fuel tank	1
10	62154A	Fuel Tank Assy	1	37	104395	Screw - Pan hd 10-24 x 5/8	6
11	61437	Bolt - Bar mounting	2	38	57114A	Cover - Oil tank	1
12	51439	Lockplate	1	39	100010	Pin - Cotter	1
13	28042	Tube - Fuel hose	1	40	69352	Washer - Felt	1
14	62216	Seat - Ball	2	41	57152	Gasket - Oil tank cover	1
15	100071	Ball	1	42	101326	Nut - Hex 10-24	3
16	110327	Ring - Retaining	1	43	55494	Screw Assy - Sealing	3
17	110257	Screw - Hex hd 10-24 x 1-3/4 (SEMS)	1	44	55492	Washer - Sealing	3
18	110127	Screw - Hex hd 10-24 x 7/8 (SEMS)	1	45	66618	Tank - Oiler	1
19	110245	Screw - Flat hd 10-24 x 3/4	1	46	57279	Screen - Oiler	1
20	65673	Gasket - Pulse pump	1	47	57147	Gasket - Oiler tank	1
	83135	Pulse Pump Assy	1	48	68705	Spring - Oiler piston	1
21	60976	Locknut - 10-24	1	49	101056	"O" Ring	1
22	67929	Screw - Set 10-24 x 1-1/4	1	50	83405	Piston - Oiler	1
23	104001	"O" Ring	1	51	55934B	Fuel Cap Assy	1
24	60260A	Piston Assy - Pulse pump	1	52	55063	Filter - Fuel cap	1
25	60937	Washer - Teflon	1	53	53766A	Valve - Fuel cap	1
26	60263	Ring - Pulse pump	1	54	101348	"O" Ring	1
27	104001	"O" Ring	1	55	57129A	Cap - Oil filler	1
				56	101148	"O" Ring	1

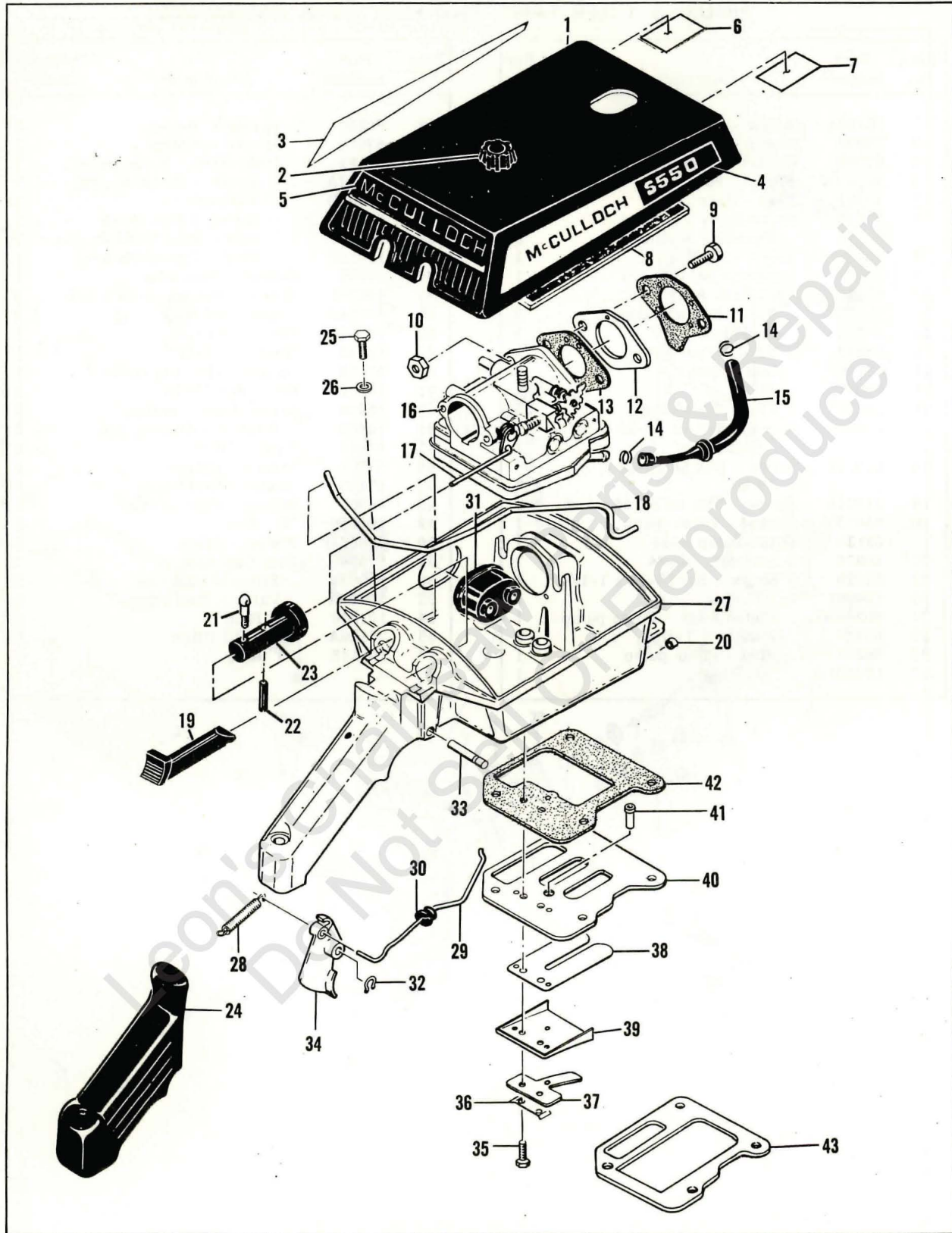


Figure 4. Cover and Airbox Assemblies

FIGURE 4. COVER AND AIRBOX ASSEMBLIES.

Item No.	Part Number	Description	Units Per Assy	Item No.	Part Number	Description	Units Per Assy
1	61466	Cover Assy - Air cleaner	1	23	50777B	Button - Choke	1
2	61458A	. Knob - Cover	1	24	57834	Grip - Handle	1
3	84430	Nameplate - L.H.	1	25	102761	Screw - Hex hd 10-24 x 7/8	1
4	84431	Nameplate - R.H.	1	26	105048	Washer - #10	1
5	66799	Trim - Air cleaner cover	1	27	83421	Airbox Assy	1
6	83561	Label - Starting instructions	1	28	36499	. Spring - Throttle	1
7	63862	Label - Fuel mix	1	29	61106	. Rod - Throttle	1
8	55498	Screen - Air cleaner	1	30	68258	. Grommet - Throttle rod	1
9	60208	Screw - Special	2	31	53277	. Grommet - Carburetor controls	1
10	103242	Nut - Hex 1/4-20	2	32	104501	. Retainer - Trigger pin	1
11	65583	Gasket - Adapter	1	33	50507	. Pin - Trigger	1
12	53189	Adapter - Carburetor	1	34	50091B	. Trigger	1
13	65583	Gasket - Carburetor	1	35	103740	. Screw - Hex hd 8-32 x 5/8	2
14	50742	Clamp - Hose	2	36	51480	. Plate - Lock	1
15	67094	Hose - Fuel	1	37	57658A	. Clamp - Reed	1
16		Carburetor Assy (See Figure 5)		38	48593	. Valve - Reed	1
17	57134	Pushrod - Choke	1	39	66274	. Deflector - Fuel	1
18	83383	Pushrod - Oiler	1	40	53685C	. Plate - Reed	1
19	83397	Button - Oiler	1	41	63067	. Tube - Reed plate	1
20	57736	Seal - Oiler pushrod	1	42	65653	. Gasket - Airbox	1
21	61822	Screw - Choke button	1	43	62834	. Insulator - Reed plate	1
22	101556	Pin - Roll	1				

Leon's Chainsaw Parts
Do Not Sell Or Reprint

SUPER 550

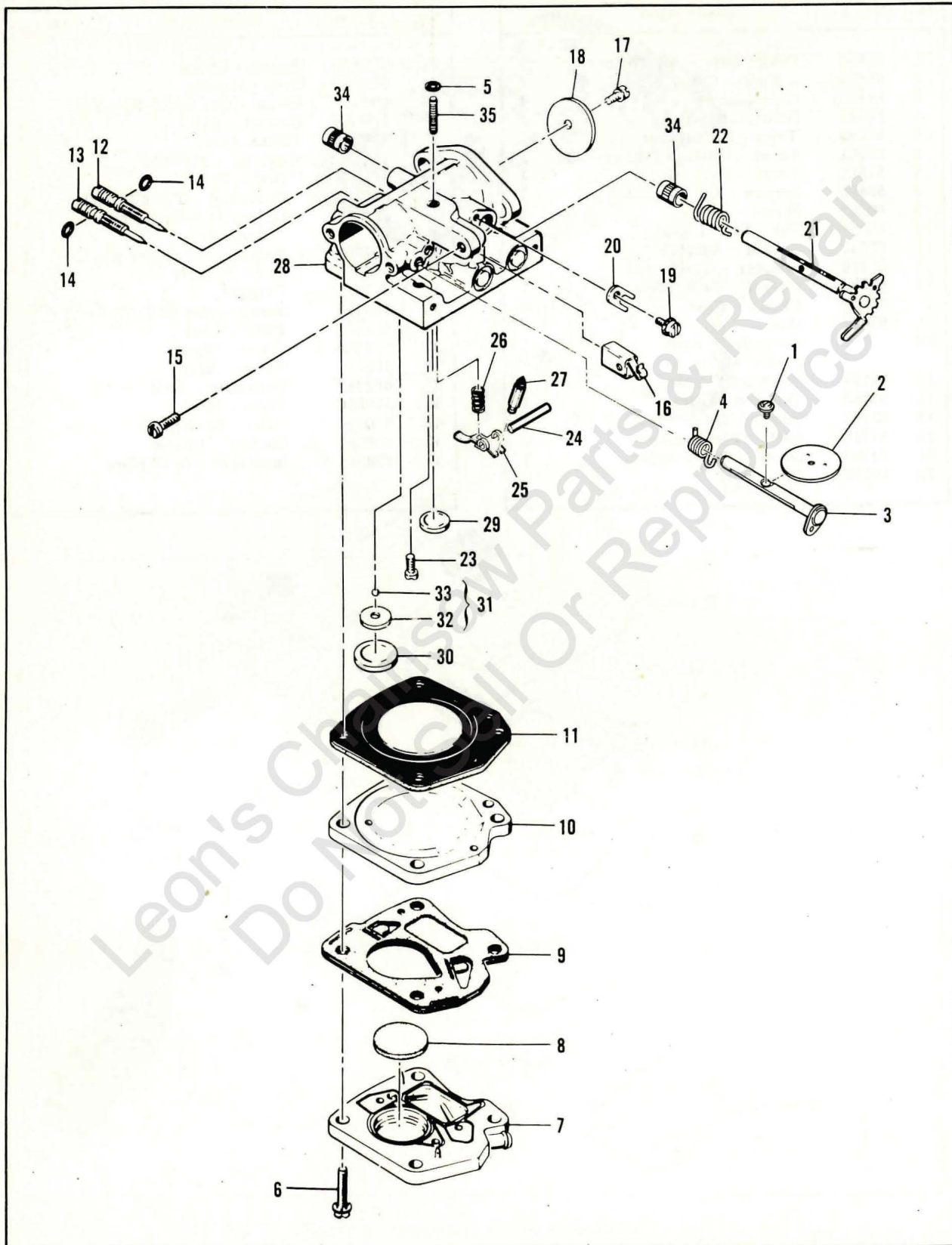


FIGURE 5. CARBURETOR

Item No.	Part Number	Description	Units Per Assy	Item No.	Part Number	Description	Units Per Assy
	84050	Carburetor Assy		18	61360	. Plate - Throttle	1
1	104814	. Screw - Pan hd 4-40 x 1/4 (SEMS)	1	19	110055	. Screw - Fil hd 8-32 x 3/8 (SEMS)	1
2	55085	. Plate - Choke	1	20	55082	. Clip - Throttle shaft	1
3	84073	. Shaft Assy - Choke	1	21	61854A	. Shaft Assy - Throttle	1
4	55089	. Spring - Choke return	1	22	61858	. Spring - Idle governor	1
5	100283	. Grommet	1	23	104164	. Screw - Pan hd 4-40 x 1/4 s/t	1
6	104520	. Screw - Pan hd 10-24 x 7/8 (SEMS)	4	24	104305	. Pin - Inlet lever	1
7	69169	. Body - Fuel pump	1	25	84317	. Lever - Inlet control	1
8	48911	. Filter - Fuel	1	26	57172	. Spring - Inlet lever	1
9	57274B	. Diaphragm Assy - Fuel pump	1	27	83753	. Needle - Inlet valve	1
10	48901	. Plate - Diaphragm	1	28	84053	. Body Assy - Carburetor	1
11	55067C	. Diaphragm - Carburetor	1	29	110179	. . Plug - Expansion 1/2 in.	1
12	53948	. Needle - Idle adjustment	1	30	104407	. . Plug - Expansion 1 in.	1
13	53311	. Needle - Main adjustment	1	31	61155	. . Set - Ball & seat	1
14	104001	. "O" Ring	2	32	61152	. . . Seat - Ball	1
15	62910	. Screw - Fil hd long locking	1	33	61151	. . . Ball - Nylon 3/32 in.	1
16	61108	. Guide - Throttle rod	1	34	55062A	. . Bushing - Body	2
17	104814	. Screw - Pan hd 4-40 x 1/4 (SEMS)	1	35	48611	. . Stud - Air cleaner cover	1

Leon's Chainsaw Parts & Repairs
Do Not Sell Or Reuse

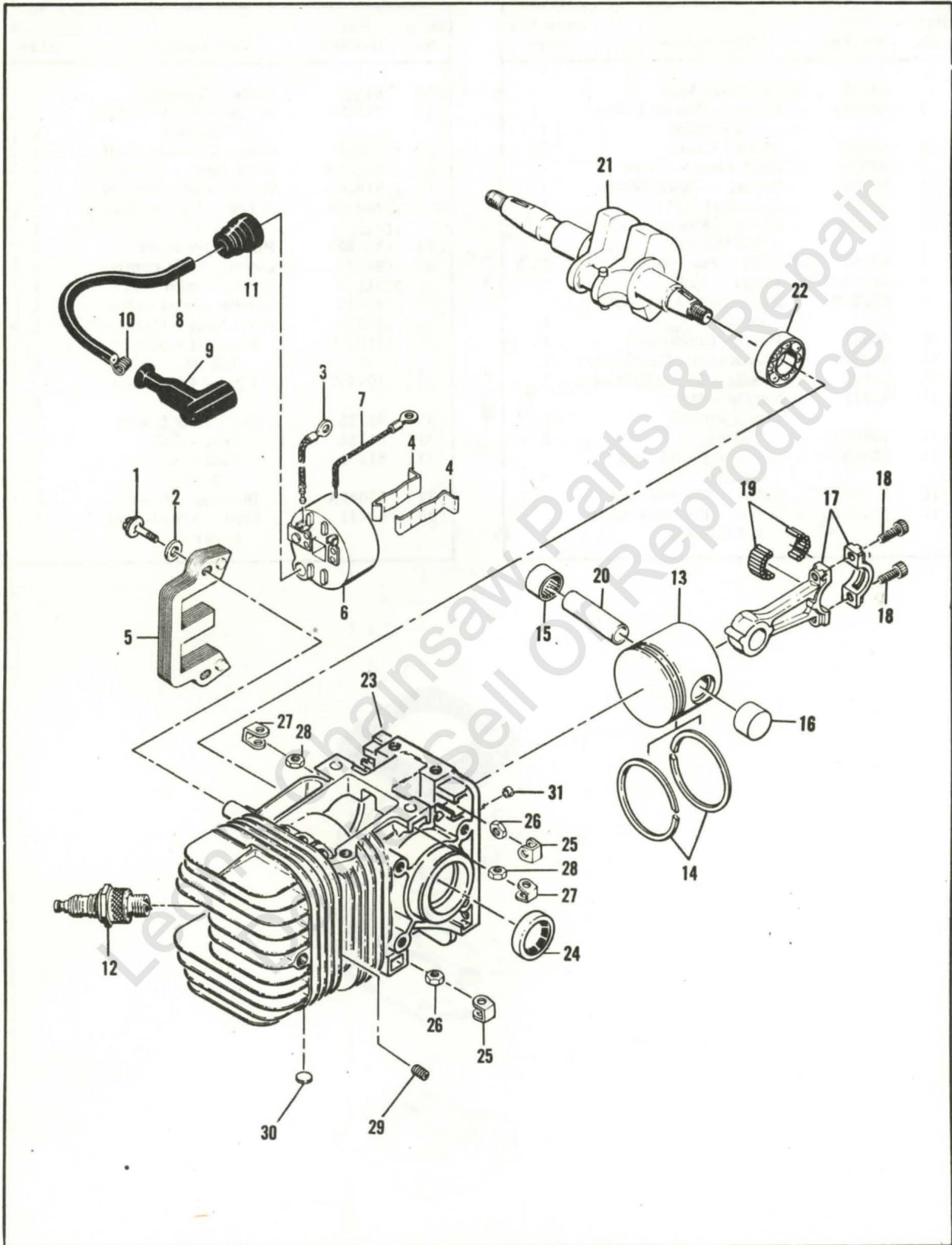


Figure 6. Powerhead Assembly

FIGURE 6. POWERHEAD ASSEMBLY.

Item No.	Part Number	Description	Units Per Assy
1	104815	Screw - Fil hd 10-24 x 7/8	2
2	100352	Washer - #10	2
3	57225	Wire Assy - Primary	1
4	51253	Retainer - Coil	2
5	51251	Lamination Assy	1
6	57643A	Coil and Terminal Kit	1
7	101883	. Wire Assy - Ground	1
8	50120	. Wire - Spark plug	1
9	55060	. Boot - Spark plug	1
10	55061	. Connector	1
11	55617	Nipple - Spark plug wire	1
12	83564	Spark Plug 14MM	1
13	62883	Piston Assy	1
14	62422	. Ring Set - Piston	1
15	104519	. Bearing	1
16	62868	. Bearing (closed end)	1

Item No.	Part Number	Description	Units Per Assy
17	47903	Connecting Rod Assy	1
18	60210A	. Screw - Socket hd 10-32 Special	2
19	69891	. Roller - Needle	24
20	69408	Pin - Piston	1
21	63440	Crankshaft	1
22	100824	Bearing - Ball	1
23	83090	Crankcase Assy	1
24	104432	. Seal - Oil	1
25	18556A	. Retainer - Nut	6
26	105394	. Nut - Hex 1/4-20	6
27	28053	. Retainer - Nut	2
28	101326	. Nut - Hex 10-24	2
29	83374	. Insert - Taplok	3
30	110340	. Plug - Expansion	3
31	57736	Seal - Pushrod	1

ACCESSORIES.

Part Number	Description
62884	Piston Assy 0.030 in. oversize
62423	. Ring Set 0.030 in. oversize
104519	. Bearing - Needle
62868	. Bearing - Needle (closed end)
61330	Kit - Spike 5 tooth
61331	Kit - Spike 4 tooth
64788	Kit - Spike 5 tooth (inboard)

Part Number	Description
69332	Kit - Spark arrester baffle
65712	Guide - Timing
61040	Wrench - Screwdriver combination
36248	Wrench - Spark plug
84381	Manual - Owner's

FIGURE 7. CLUTCH GUARD - BAR AND CHAIN ASSEMBLY

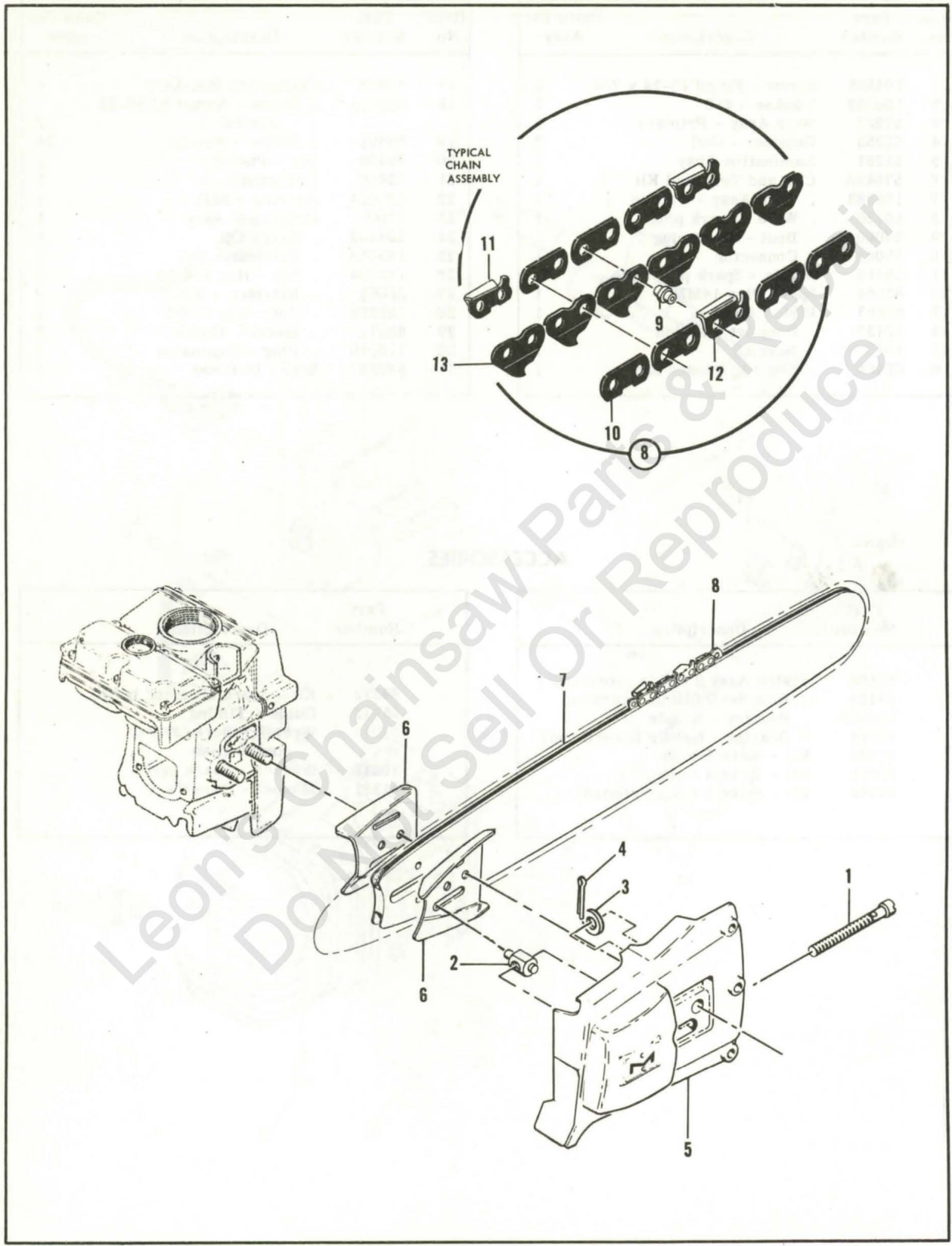


Figure 7. Clutch Guard - Bar and Chain Assemblies

FIGURE 7. CLUTCH GUARD—BAR AND CHAIN ASSEMBLIES.

Item No.	Part Number	Description	Units Per Assy
1	60133A	Guard Assy - Clutch	1
	62057	Screw - Fil hd 1/4-28 Bar adjusting	1
2	52207C	Nut - Bar adjusting	1
3	100004	Washer - 1/4	1
4	105686	Key - Cotter	1
5	60134	Guard - Clutch	1
6	64935	Bar Plate	2

Item No.	Part Number	Description	Units Per Assy
7		Bar	1
8		Typical Chain Assy	1
9		Rivet	1
10		Side Link	1
11		Cutter - Left side	1
12		Cutter - Right side	1
13		Center Link	1

40:1 TWO-CYCLE MOTOR OIL

Reduces smoke, carbon and engine wear.



6 oz. can #78960
6-pack #78961
16 oz. can #78963
6-pack #78964
1 qt. bottle #110626

CHAIN, BAR AND SPROCKET OIL

Specially designed for extra lubrication of bars and chains.



1 qt. bottle #110631
Case of 24 #110632

BAR GUARDS

Protect bar and chain from accidental damage.



(A) for wide bars #56927
Black Polyvinylchloride
(B) narrow bars #64930



(C) MAC 10-16, 20" #66544
Rigid Yellow Plastic
(D) PM 6-12, 16" #83124

LOCQUIC AND

Primer. Cleans, degreases, and accelerates curing.

7-1/2 oz. spray can. #69794



LOCTITE

Sealant, bonding agent

10cc plastic bottle #67537



SPRAY PAINT

Black

12 oz. can #103503
Case of 12 #103400



Yellow

12 oz. can #102449
Case of 12 #102464

STARTER ROPE

Solid, braided nylon



100' spool #28902

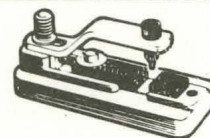
CHAIN SHARPENING TOOLS

The ● shows which tools are used on chains

	S-25	SM-57	S-40	S-80	S-90
McCULLOCH FILES					
1/8" round	●				
5/32" round	●	●			
3/16" round	●	●			
7/32" round	●	●	●		
1/4" round	●	●	●	●	
9/32" round	●	●	●	●	●
8" flat	●	●	●	●	●
6" flat safety	●	●	●	●	●
FILE GUIDE & FILE					
#67750 (1/8" round)	●				
#60950 (7/32" round)		●	●		
(Also holds 3/16 and 1/4" round)			●	●	
DEPTH GAUGE TOOLS					
#56241 .045-.060"			●	●	●
#64198 .035-.060"			●	●	●
#64359 .045-.050"			●	●	●
#67688 .015-.020"	●				
#67680 .025-.030"	●				
FILE-N-JOINT Assures correct filing angle, height.					
#61034	●	●	●	●	●

"BREAK ALL" CHAIN BREAKER

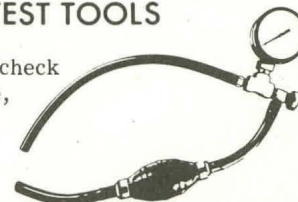
Required when repairing chain.



#61753
Instructions included.

PRESSURE TEST TOOLS

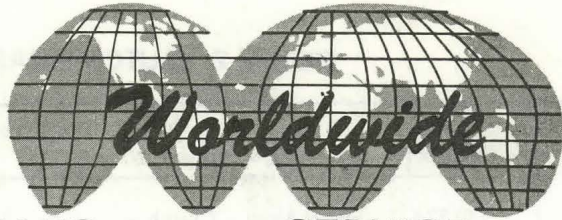
For leakage check of crankcase, fuel system.



Basic unit #62849



McCULLOCH



● MANUFACTURING ● SALES ● SERVICE ●

McCULLOCH CORPORATION

6101 WEST CENTURY BLVD., LOS ANGELES, CALIFORNIA 90045

INTERNATIONAL DIVISIONS:

LOS ANGELES, CALIF., P. O. BOX 45466

HONG KONG, B. C. C.: G. P. O. BOX 879

McCULLOCH OF CANADA LTD.

6338 VISCOUNT ROAD, MALTON, ONTARIO, CANADA

McCULLOCH OF EUROPE, N. V.

ANTOON SPINOYSTRAAT, 5, B-2800 MECHELEN, BELGIUM

McCULLOCH OF AUSTRALIA PTY., LTD.

P.O. BOX 223, SEVEN HILLS, N.S.W. 2147, AUSTRALIA

Leon's Chainsaw Parts & Repair
Do Not Sell or Reproduce