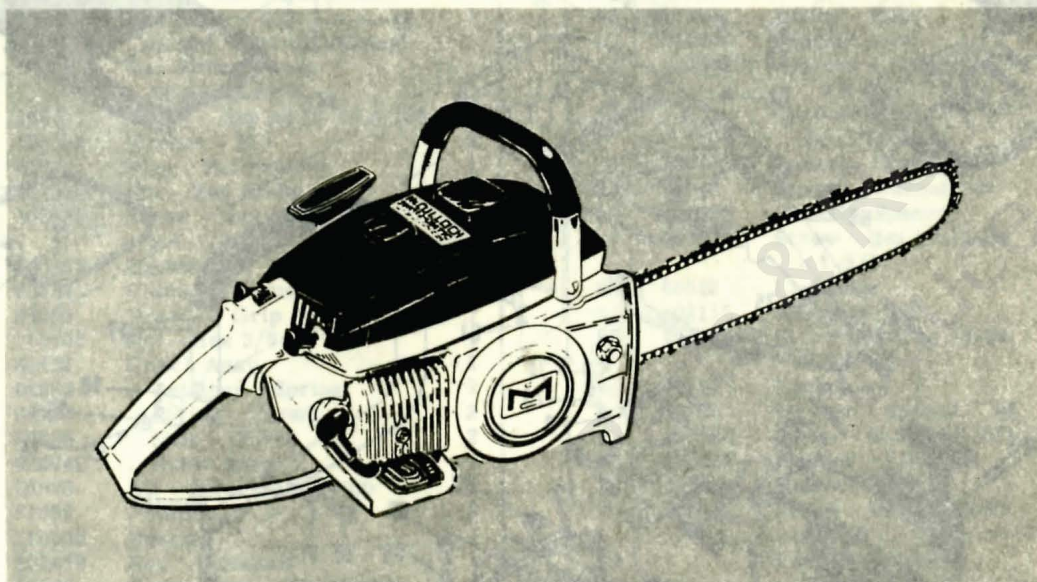


# Super 10-10 & Super 10-10A Chain Saws

L.H. MODEL 600008 - SERIAL NUMBERS PREFIXED 11-  
L.H. MODEL 600009 - SERIAL NUMBERS PREFIXED 11-

## ILLUSTRATED PARTS LIST



**SEPTEMBER 1971**

The policy of McCulloch Corporation is one of continual improvement in design, manufacturing and engineering advancement wherever possible to assure still finer two-cycle power tools. Hence, specifications, equipment, colors, design and manufacturer's suggested list prices are subject to change without notice and McCulloch Corporation reserves the right to make such changes without prior notification or obligation to backfit or supply backfit components for units previously shipped from the factory.

	Page
Figure 1. General . . . . .	2
Figure 2. Fan Housing & Starter Assemblies . . . . .	4
Figure 3. Fuel Tank Assembly . . . . .	4
Figure 4. Carburetor Assembly . . . . .	6
Figure 5. Powerhead Assembly . . . . .	8
Figure 6. Bar & Chain Assembly . . . . .	10

 **McCULLOCH**

**SUPER 10-10 LH**  
**SUPER 10-10A LH**

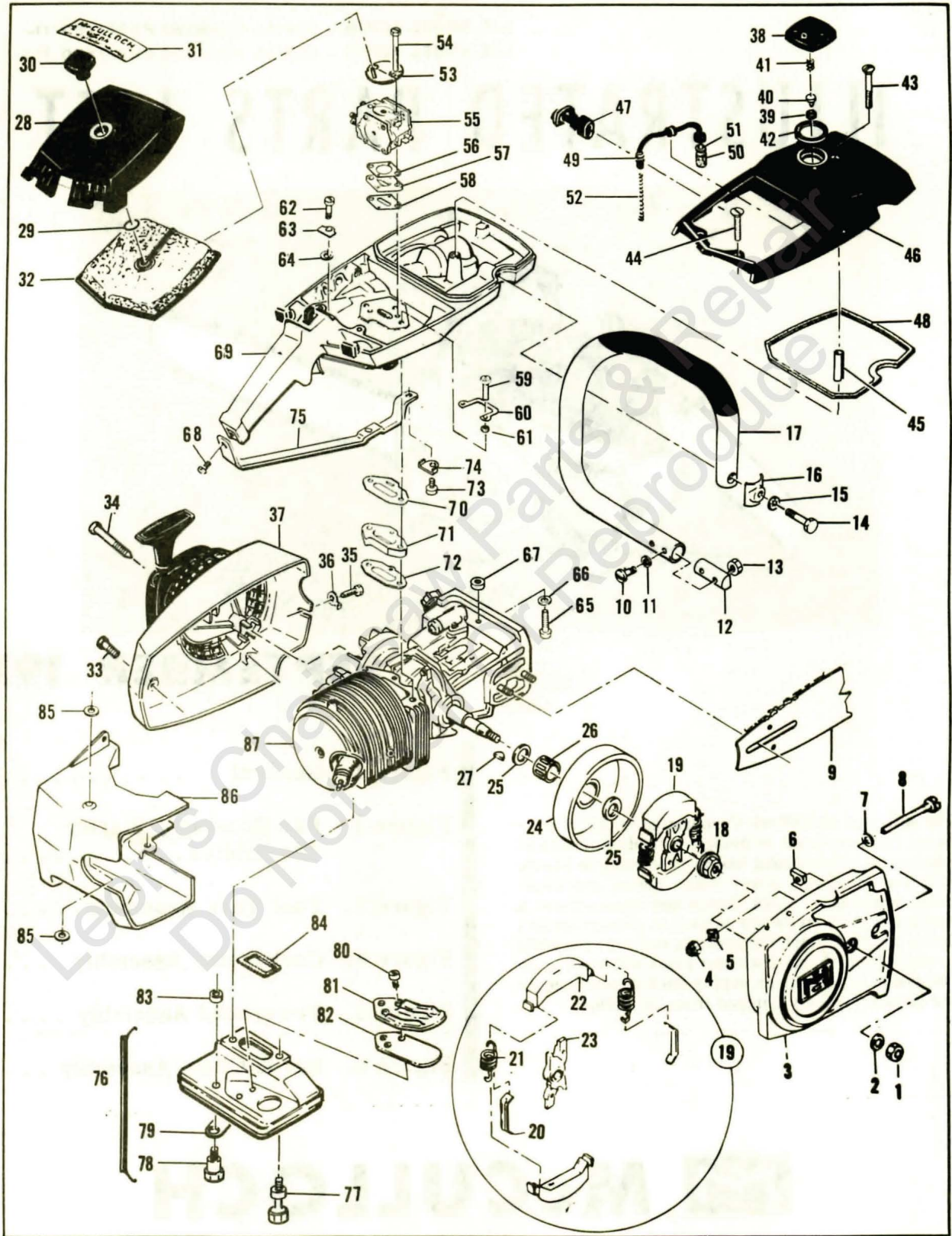


Figure 1. General

**SUPER 10-10 LH**  
**SUPER 10-10A LH**

**FIGURE 1. GENERAL**

Item No.	Part Number	Description	Units Per Assy
1	110454	Nut - Hex 5/16-24	2
2	100440	Washer - 5/16	2
3	84530	Clutch Guard Assy	1
4	102067	. Nut - Hex 10-24	1
5	110387	. Washer - Wavey	1
6	61705	. Nut - Bar adjustment	1
7	110264	. Washer - #10	1
8	102144	. Screw - Bar adjustment	1
9		Bar & Chain Assy (See Figure 6)	1
10	102761	Screw - Hex hd 10-24 x 7/8	2
11	100352	Washer - #10	2
12	61678	Plug - Nut retainer	1
13	101326	Nut - Hex 10-24	2
14	102130	Screw - Hex hd 1/4-20 x 1-1/2	1
15	100153	Lockwasher - 1/4	1
16	63484	Clamp - Frame	1
17	84269	Frame & Grip Assy	1
18	110703	Nut - Hex 3/8-24	1
19	84682	Clutch Assy	1
20	64583	. Retainer - Spring	2
21	83223	. Spring - Clutch	2
22	67233	. Shoe - Clutch	2
23	62204C	. Rotor Assy	1
24	65370	Kit - Sprocket & Drum	1
25	61692	. Shim	2
26	110330	Bearing	1
27	103879	Key - Woodruff	1
28	68530	Cover Assy - Air cleaner	1
29	110565	. Ring - Retainer	1
30	68529	. Knob - Cover	1
31	*85852	Nameplate	1
	**85860	Nameplate	1
32	69922	Filter Assy - Air	1
33	110684	Screw - Pan hd 10-24 x 3/8	1
34	62978	Screw - Special	3
35	102762	Screw - Hex hd 10-24 x 1/2	1
36	69890	Lockplate	1
37		Fan Housing & Starter Assy (See Figure 2)	1
38	68531	Cap Assy - Fuel	1
39	68533	. Plug	1
40	63041	. Valve	1
41	63040	. Spring	1
42	69767	. Gasket	1
43	110402	Screw - Oval hd 12-24 x 2-3/8	1
44	103579	Screw - Fl hd 10-24 x 1	2
45	69686	Spacer	1

Item No.	Part Number	Description	Units Per Assy
46	84252	Cover - Fuel tank	1
47	84253	Boot - Carburetor	1
48	69345	Gasket - Cover	1
49	64848	Hose Assy - Fuel	1
50	63932	. Filter - Fuel	1
51	100440	. Washer	1
52	67944	Spring - Hose	1
53	83204	Bracket Assy	1
54	103357	. Screw - Hex hd 10-24 x 2-1/4	2
55		Carburetor Assy (See Figure 4)	1
56	86189	Gasket - Carburetor	1
57	84078	Spacer - Carburetor	1
58	84081	Gasket - Spacer	1
59	110570	Screw - Hex hd 12-24 x 1-3/8	2
60	68582	Lockplate	1
61	102115	Washer - #12	2
62	110568	Screw - Hex hd 12-24 x 1-1/8	1
63	69516	Lockplate	1
64	64856	Washer - Special	1
65	102660	Screw - Skt hd 10-24 x 7/8	1
66	100003	Washer - #10	1
67	69772	Spacer	1
68	106078	Screw - Pan hd 10-24 x 7/16	1
69		Fuel Tank Assy (See Figure 3)	1
70	84082	Gasket - Fuel tank	1
71	84079	Insulator - Fuel tank	1
72	84082	Gasket - Insulator	1
73	110566	Screw - Hex hd 12-24 x 5/8	1
74	68508	Lockplate	1
75	85007	Brace - Handle	1
76	68863	Kit - Muffler	1
77	67838	. Screw - Muffler long	2
78	67837	. Screw - Muffler short	1
79	83993	. Lockplate	1
80	110563	. Screw - Skt hd 8-32 x 1/4	2
81	84780	. Stop - Reed	1
82	84779	. Reed	1
83	63993	Gasket - Muffler screw	1
84	84007	Gasket - Spark arrester	1
85	68581	Insulator - Shroud	2
86	85731	Shroud	1
87		Powerhead Assy (See Figure 5)	1

\*Super 10-10  
\*\*Super 10-10A

**SUPER 10-10 LH**  
**SUPER 10-10A LH**

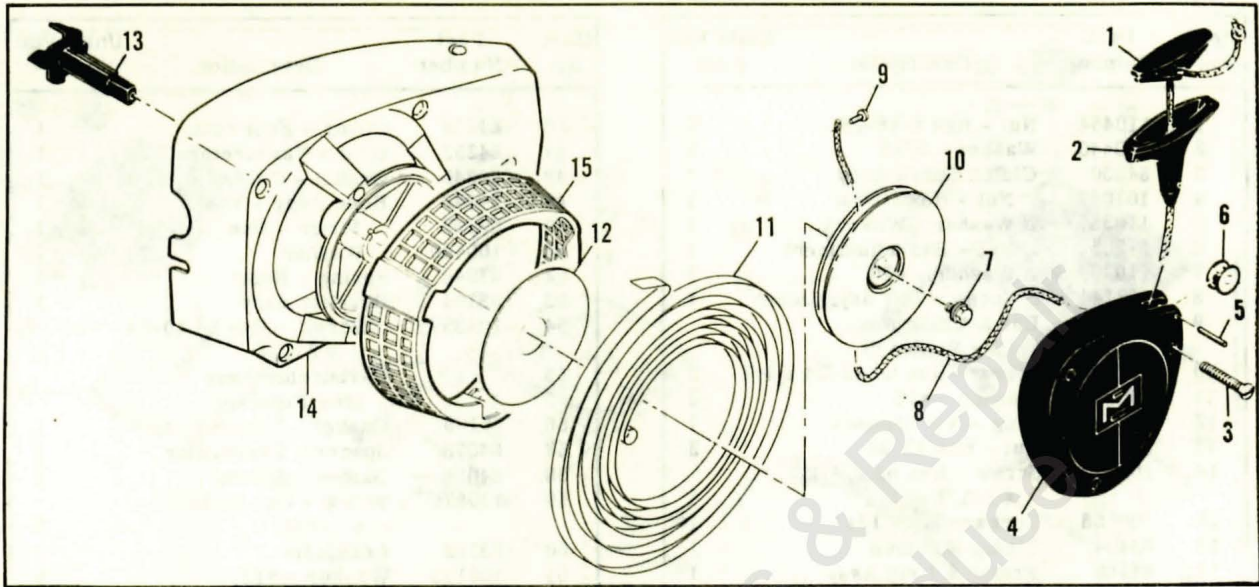


Figure 2. Fan Housing & Starter Assemblies

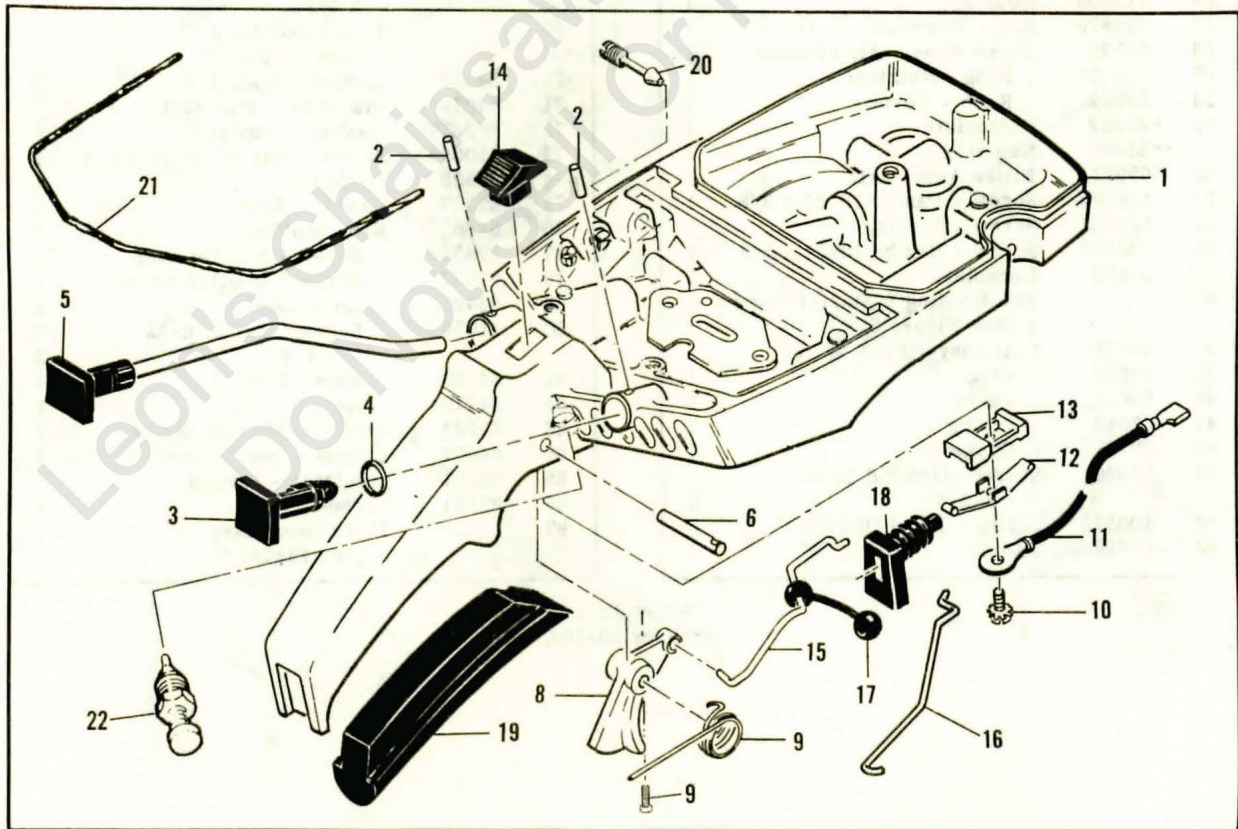


Figure 3. Fuel Tank Assembly

**SUPER 10-10 LH**  
**SUPER 10-10A LH**

**FIGURE 2. FAN HOUSING & STARTER ASSEMBLIES**

Item No.	Part Number	Description	Units Per Assy
1	62191A	Insert - Starter handle	1
2	62190A	Handle - Starter	1
3	110646	Screw - Oval hd 8-32 x 1-1/2	3
4	84559	Cover Assy - Starter	1
5	110657	Pin - Roll	1
6	84051	Pulley - Rope	1
7	110529	Screw - Hex hd 10-24 x 1/2	1

Item No.	Part Number	Description	Units Per Assy
8	69964	Rope - Starter	1
9	110470	Rivet - Rope	1
10	83597	Drum - Starter	1
11	83334	Spring - Rewind	1
12	83994	Shield - Spring	1
13	83748	Shaft - Starter	1
14	86051	Kit - Fan housing	1
15	85676	Guard - Sawdust	1

**FIGURE 3. FUEL TANK ASSEMBLY**

Item No.	Part Number	Description	Units Per Assy
1	84183	Fuel Tank Assy	1
2	105673	Pin - Roll	2
3	69041	Button - Choke	1
4	101056	"O" Ring	1
5	64871	Button & Rod Assy	1
6	110378	Pin - Roll	1
7	86027	Spring - Throttle return	1
8	85978	Trigger	1
9	110668	Screw - Fil hd 8-36 x 5/8	1
10	103672	Screw - Fil hd 8-32 x 1/2 (SEMS)	1
11	62973A	Wire Assy - Stop switch	1

Item No.	Part Number	Description	Units Per Assy
12	62451	Contact - Switch	1
13	62950A	Base - Switch	1
14	62951	Button - Switch	1
15	85107	Rod - Throttle	1
16	69042	Rod - Choke	1
17	69043	Snubber - Control rod	1
18	68522	Seal - Throttle rod	1
19	64872	Grip - Handle	1
20	67271	Screw - Idle speed	1
21	*69564	Seal - Airbox	AR
22	85451	Throttle Lock Assy	1

\*Furnished on a 12-1/2 inch strip containing 9 beads of sealant (enough for 9 replacements).

**SUPER 10-10 LH**  
**SUPER 10-10A LH**

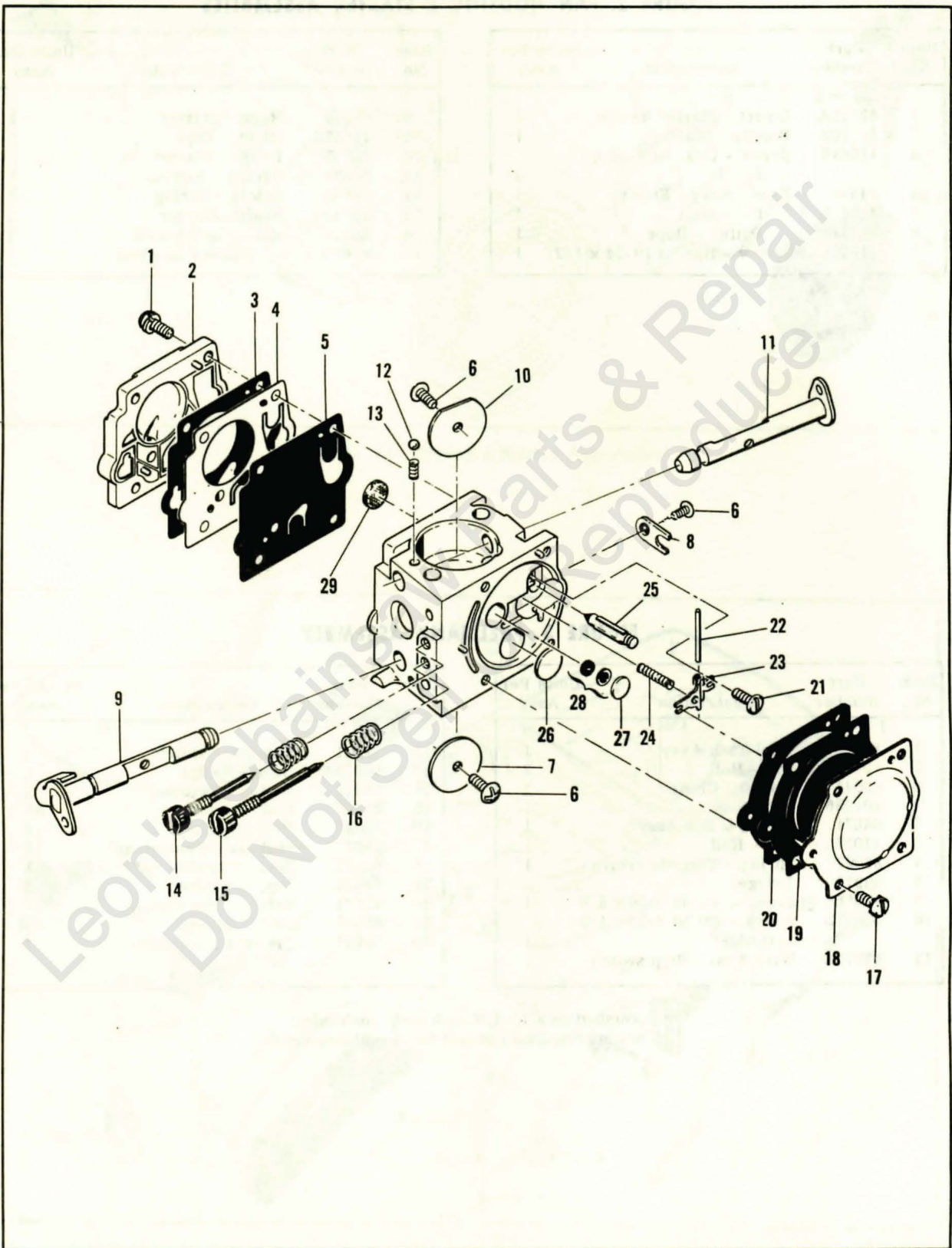


Figure 4. Carburetor Assembly

**SUPER 10-10 LH**  
**SUPER 10-10A LH**

**FIGURE 4. CARBURETOR ASSEMBLY**

Item No.	Part Number	Description	Units Per Assy
	69942	Carburetor Assy	1
1	67501	. Screw - Pump cover	4
2	83760	. Cover - Pump	1
3	*67495	. Gasket - Cover	1
4	*67498	. Diaphragm - Check valve	1
5	*83114	. Diaphragm - Fuel pump	1
6	*47690	. Screw - Plate	3
7	83762	. Plate - Throttle	1
8	67489	. Clip - Shaft	1
9	67486	. Shaft Assy - Throttle	1
10	67490	. Plate - Choke	1
11	67488	. Shaft Assy - Choke	1
12	*100302	. Ball - Choke friction	1
13	*67504	. Spring - Choke	1
14	*68104	. Needle - High speed	1
15	*68105	. Needle - Idle	1

Item No.	Part Number	Description	Units Per Assy
16	*67502	. Spring - Needle	2
17	70798	. Screw - Diaphragm cover	4
18	83761	. Cover - Diaphragm	1
19	*67499	. Diaphragm - Metering	1
20	*67496	. Gasket - Diaphragm	1
21	*67500	. Screw - Lever pin	1
22	*67508	. Pin - Lever	1
23	*67509	. Lever - Metering	1
24	*67503	. Spring - Lever	1
25	83759	. Body Assy - Carburetor	1
26	*71690	. Plug - 3/8	1
27	*69506	. Plug - 5/16	1
28	83758	. Kit - Valve & Seat Assy	1
29	*67507	. Screen - Fuel	1
	*67482	Gasket Set	
	83764	Repair Kit	

\*Indicates parts included in Repair Kit, P/N 83764

Leon's Chainsaw Parts  
 Do Not Sell Or Reproduce

**SUPER 10-10 LH**  
**SUPER 10-10A LH**

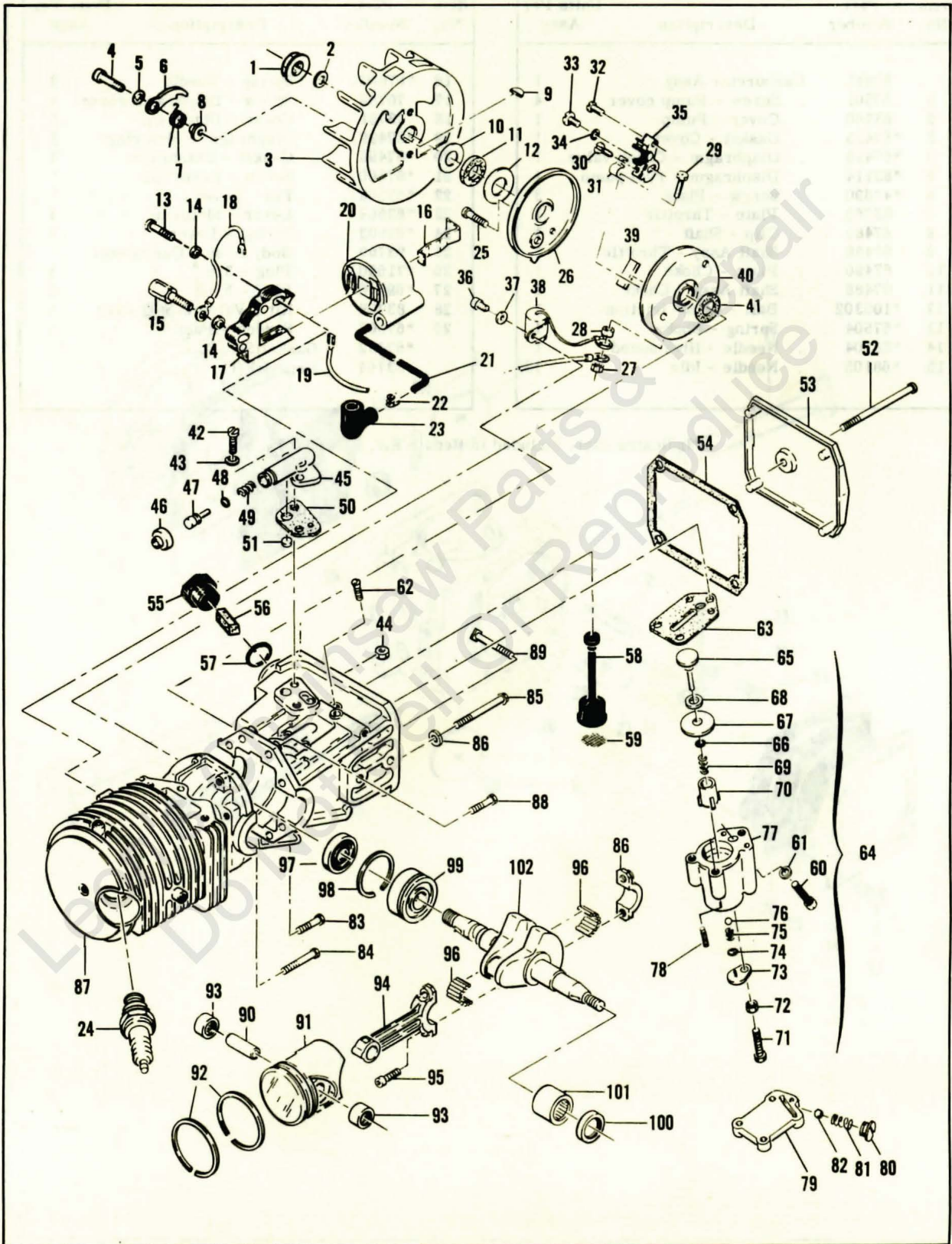


Figure 5. Powerhead Assembly



**SUPER 10-10 LH**  
**SUPER 10-10A LH**

**FIGURE 5. POWERHEAD ASSEMBLY**

Item No.	Part Number	Description	Units Per Assy
1	110703	Nut - Hex 3/8-24	1
2	105999	Washer - 3/8	1
3	84681	Flywheel	1
4	102660	Screw - Skt hd 10-24 x 7/8	2
5	83241	Washer - Special	2
6	67546	Pawl - Starter	2
7	67545	Spring - Pawl	2
8	67547	Pivot - Pawl	2
9	103879	Key - Woodruff	1
10	67057	Washer - Thrust	1
11	67056	Seal - Breaker box cover	1
12	67054	Washer - Thrust	1
13	110127	Screw - Hex hd 10-24 x 7/8 (SEMS)	1
14	100003	Washer - #10	2
15	83512	Stud - Special	1
16	51253	Retainer - Coil	1
17	68164	Lamination Assy	1
18	84686	Wire Assy - Ground	1
19	69344	Wire Assy - Primary	1
20	84972	Kit - Coil	1
21	50120	. Wire Assy - Spark plug	1
22	62932	. . Connector	1
23	62926	. . Boot	1
24	63097	Spark Plug - AC CS 45T	1
25	110349	Screw - Rd hd 8-32 x 3/4	1
26	62362	Cover - Breaker box	1
27	100298	Nut - Hex 6-32	1
28	62365	Spacer - Breaker	1
29	110346	Screw - Hex hd 6-32 x 3/4	1
30	110489	Screw - Pan hd 6-32 x 7/16 s/t	1
31	83126	Strap - Conduction	1
32	100934	Screw - Rd hd 8-32 x 3/8	1
33	110445	Screw - Truss hd 8-32 x 3/8	1
34	105976	Washer - #8	1
35	66231	Breaker Assy	1
36	103672	Screw - Fil hd 8-32 x 1/2 (SEMS)	1
37	100080	Washer - #8	1
38	85358	Condenser	1
39	54184	Wiper - Cam	1
40	84329	Box - Breaker	1
41	67051	Seal - Breaker box	1
42	110623	Screw - Fil hd 8-32 x 1/2	2
43	105976	Washer - #8	2
44	100955	Nut - Hex 8-32	1
45	84156	Housing - Pump	1
46	62262	Cap - Housing	1
47	62266	Plunger - Pump	1
48	101056	"O" Ring	1
49	66687	Spring - Pump	1
50	62230	Gasket - Pump	1
51	62909	Valve - Pump	1
52	110291	Screw - Pan hd 10-24 x 2-5/8	1

Item No.	Part Number	Description	Units Per Assy
53	63072	Cover - Oil tank	1
54	62116	Gasket - Cover	1
55	68809	Cap - Oil tank	1
56	84953	. Plug - Cap	1
57	101148	"O" Ring	1
58	62123B	Hose Assy - Oil	1
59	51506	. Screen - Hose	1
60	**102660	Screw - Skt hd 10-24 x 7/8	1
61	**24236	Washer - Special	1
62	*110333	Screw - Oval hd 8-32 x 1/2	3
63	**86188	Gasket - Pump	1
	*62274	Gasket - Pump	1
64	**83786	Pump Assy - Pulse	1
65	**60260A	. Piston Assy - Pump	1
66	**104001	. "O" Ring	1
67	**60263	. Ring - Piston	1
68	**60937	. Washer - Teflon	1
69	**60259	. Spring - Piston	1
70	**62227	. Sleeve - Adjustment	1
71	**110386	. Screw - Hex hd 8-32 x 1	1
72	**100251	. Nut - Hex 8-32	1
73	**62407	. Cover - Outlet valve	1
74	**106104	. "O" Ring	1
75	**62885A	. Spring - Outlet valve	1
76	**102809	. Ball	1
77	**83787	. Body Assy - Pump	1
78	**110643	. Screw - Set	1
79	**68711	Body Assy - Check valve	1
80	*68714	. Screw - Special	1
81	*63034	. Spring - Check valve	1
82	*100071	. Ball - 5/32 dia	1
83	110288	Screw Assy - Hex 8-32 x 3/4	1
84	110618	Screw Assy - Hex 8-32 x 1-3/8	1
85	62105	Screw Assy - Sealing	4
86	62842	. Washer - Sealing	4
87	**84113	Crankcase Assy	1
	*69993	Crankcase Assy	1
88	110288	. Screw Assy - Hex 8-32 x 3/4	2
89	62065	. Bolt - Bar mounting	2
90	61649	Pin - Piston	1
91	69212	Piston Assy	1
92	62814	. Ring Set - Piston	1
93	103085	. Bearing - Needle	2
94	65401	Connecting Rod Assy	1
95	61627A	. Screw - Skt hd special	2
96	63225	. Roller - Needle (set of 20)	1
97	67906	Seal - Oil	1
98	63464	Ring - Snap	1
99	67905	Bearing - Ball	1
100	110260	Seal - Oil	1
101	104357	Bearing - Needle	1
102	63336	Crankshaft	1

\*Super 10-10  
\*\*Super 10-10A

**SUPER 10-10 LH**  
**SUPER 10-10A LH**

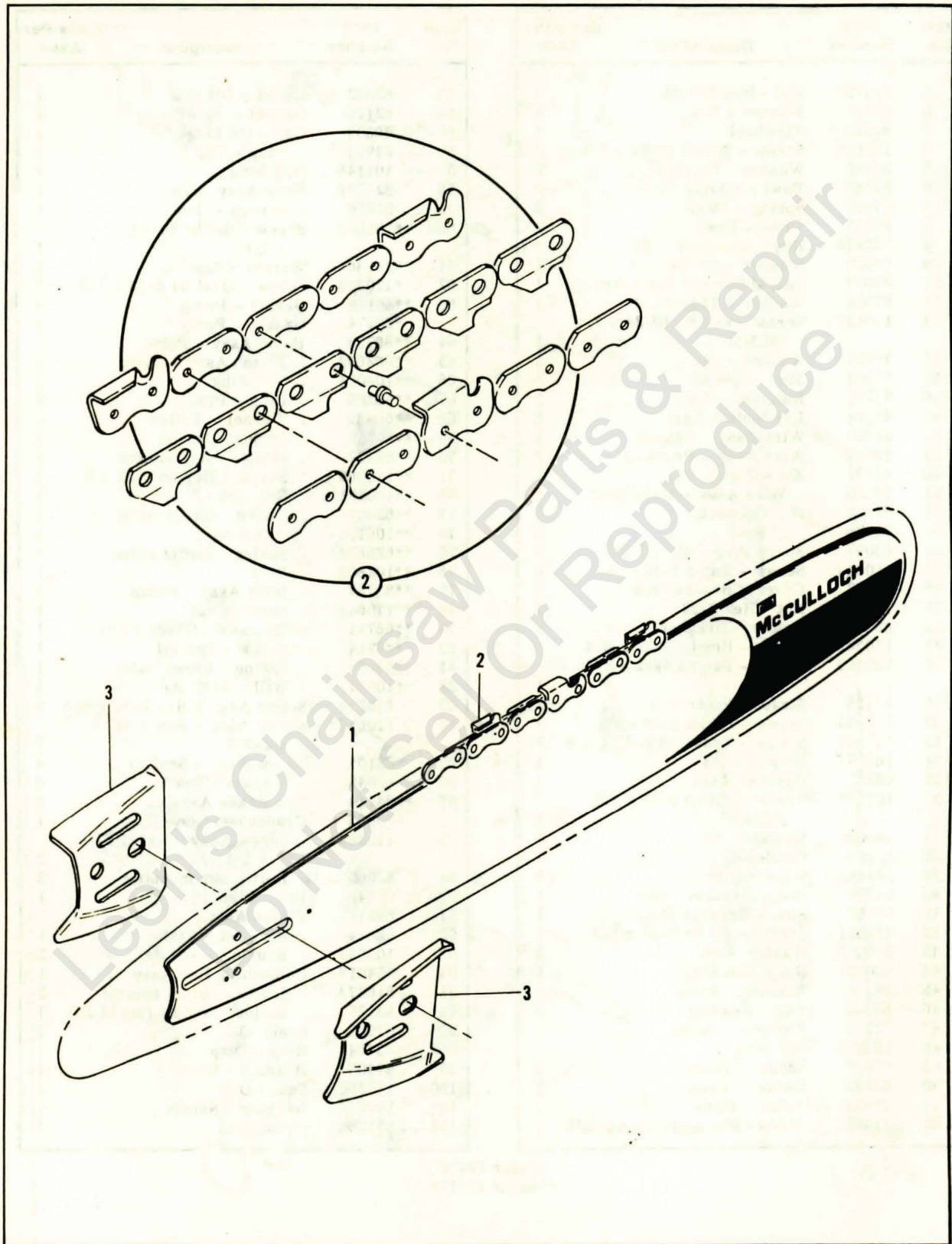


Figure 6. Bar & Chain Assembly

**SUPER 10-10 LH  
SUPER 10-10A LH**

**FIGURE 6. BAR AND CHAIN ASSEMBLIES**

Item No.	Part Number	Description	Units Per Assy
1	Bar		
2	Chain Assy		

Item No.	Part Number	Description	Units Per Assy
	64330	Set - Bar Plate	1
3	64325	Plate - Bar	2

**SERVICE SPECIFICATIONS**

Spark Plug Gap	-----	0.025 in.
Lamination Gap	-----	0.010 to 0.015 in.
Breaker Point Gap	-----	0.018 in.
Carburetor Adjustment		
Idle Needle	- Preliminary adjustment 1 turn open. Adjust for smooth idle and acceleration.	
Main Needle	- Preliminary adjustment 1 turn open. Adjust for maximum power under load.	
Torque Values		
Flywheel Nut	-----	240 to 300 inch-pounds
Clutch Nut	-----	160 to 170 inch-pounds
Connecting Rod Screws	-----	65 to 70 inch-pounds

**ACCESSORIES**

Part Number	Description
85726	Manual - Owner's
63746	Scrench
63341A	Kit - Spike
62827	Wrench
65712	Guide - Timing
63432	Spark Plug - AC CS42T
65778	Spark Plug - AC CS41T
69210	Piston Assy - 0.020 in. oversize
62813	Ring Set - Piston 0.020 in. oversize

Part Number	Description
69211	Piston Assy - 0.030 in. oversize
62812	Ring Set - Piston 0.030 in. oversize
63084	Manual - Shop
69058	Kit - Wrap around frame
69191	Kit - Pressure test adaptor
83406	Kit - Spark arrester screen
84453	Kit - Piston tool



**McCULLOCH**



● **MANUFACTURING**

● **SALES**

● **SERVICE** ●

**McCULLOCH CORPORATION**

6101 WEST CENTURY BLVD., LOS ANGELES, CALIFORNIA 90045

**INTERNATIONAL DIVISIONS:**

LOS ANGELES, CALIF., P.O. BOX 45466

BUENOS AIRES, ARGENTINA: CASILLA DE CORREO 2467

SINGAPORE, 431-432 PEOPLE'S PARK COMPLEX

**McCULLOCH OF CANADA LTD.**

6338 VISCOUNT ROAD, MALTON, ONTARIO, CANADA

**McCULLOCH OF EUROPE, N. V.**

ANTOON SPINOYSTRAAT, 5, B-2800 MECHELEN, BELGIUM

**McCULLOCH OF AUSTRALIA PTY., LTD.**

P.O. BOX 223, SEVEN HILLS, N.S.W. 2147, AUSTRALIA

Leon's Chainsaw Parts & Repair  
Do Not Sell or Reproduce