

SP 80 CHAIN SAW ILLUSTRATED PARTS LIST

| Models | Serial number prefix |
|---------|----------------------|
| 600435 | 11-, 12- |
| 600435A | 13-, 14- |
| 600435B | 13-, 14- |
| 600435C | 13-, 14- |
| 600435D | 13-, 14- |
| 600435J | 13-, 14- |
| 600435S | 13-, 14- |

SP 80 chain saws are identified by a model number (600435) followed by a suffix letter (A, B, C, etc.) stamped on the identification plate attached to the saw. Suffix letters denote variations in parts or assemblies in manufacture of the saw.

Part numbers listed in this I. P. L. and followed by a suffix letter, indicate the part is used on the model identified by that letter.

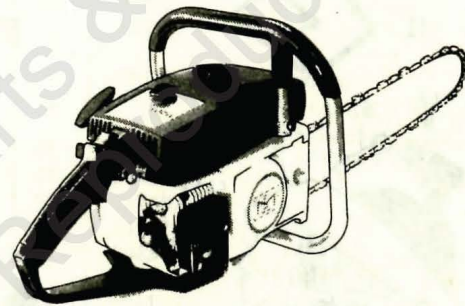
Example: P/N 85968, Guard - Hand (S)
(The guard in this example is used only on the Model 600435S)

Example: P/N 84603, Cover - Spark arrester (B, D, A,)
(The cover in this example is used on Models 600435B, 600435D and 600435A only)

Part numbers listed without suffix letter or letters apply to all models of the SP 80 saw.

The policy of McCulloch Corporation is one of continual improvement in design, manufacturing and engineering advancements wherever possible to assure still finer two-cycle power tools. Hence, specifications, equipment, colors, design and manufacturer's suggested list prices are subject to change without notice and McCulloch Corporation reserves the right to make such changes without prior notification or obligation to backfit or supply backfit components for units previously shipped from the factory.

I. P. L. 88118 supersedes and cancels I. P. L. 87257



AUGUST 1972

| | Page |
|---|------|
| Figure 1. General | 2 |
| Figure 2. Fan housing and Starter Assemblies. | 4 |
| Figure 3. Fuel Tank Assembly | 4 |
| Figure 4. Carburetor Assembly. | 6 |
| Figure 5. Carburetor Assembly. | 6 |
| Figure 6. Flywheel and Ignition System | 8 |
| Figure 7. Powerhead and Oiler Assemblies. | 10 |

 **McCULLOCH**

COPYRIGHT U.S.A. 1972
McCULLOCH CORPORATION

88118

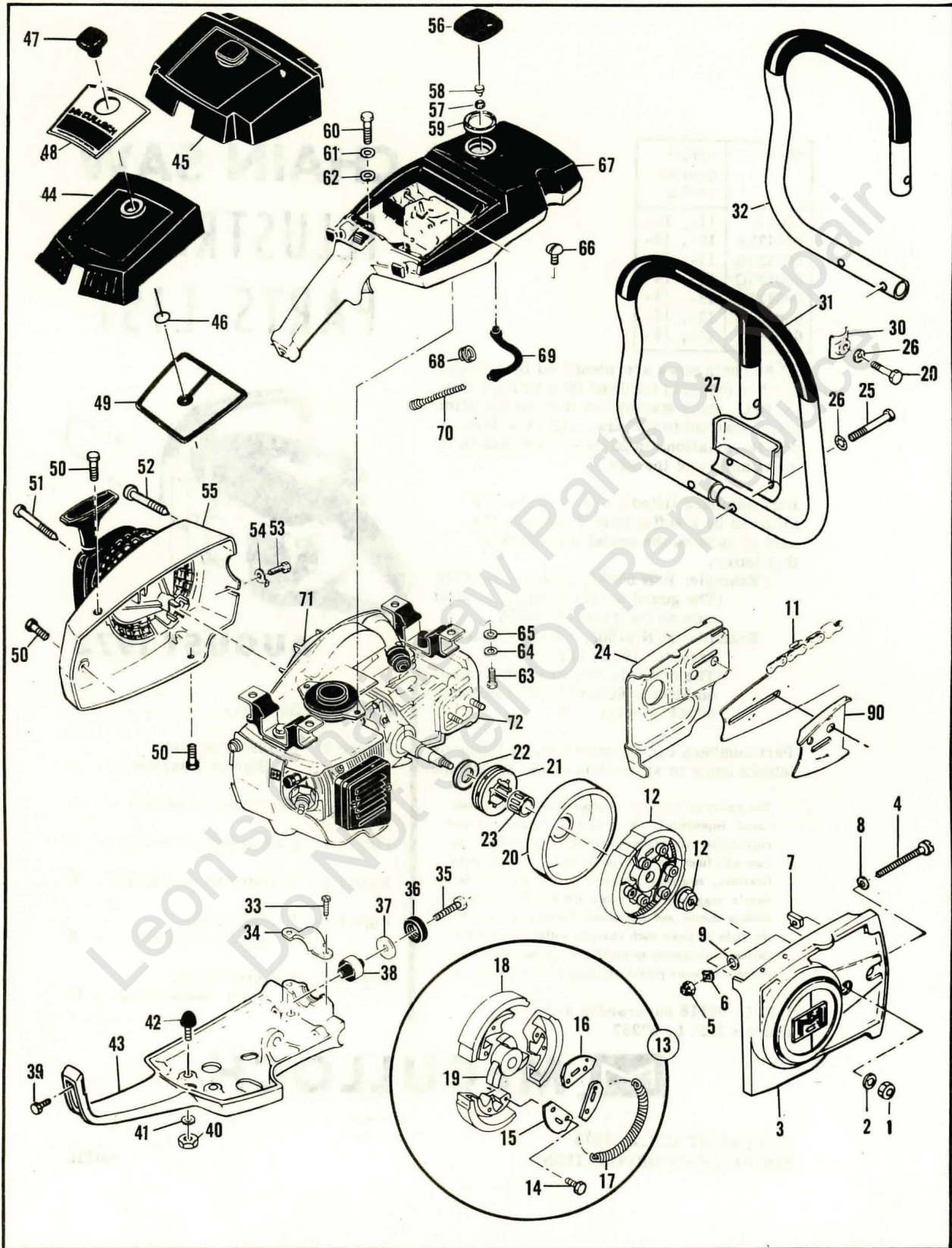


Figure 1. General

Figure 1. General

| Item No. | Part Number | Description | Units Per Assy | Item No. | Part Number | Description | Units Per Assy |
|----------|-------------|--------------------------------------|----------------|----------|-------------|---|----------------|
| 1 | 110454 | Nut - Hex 5/16-24 | 2 | 38 | 85898 | Mount - Lower | 1 |
| 2 | 100440 | Washer - 5/16 | 2 | 39 | 101977 | Screw - Fil hd 1/4-20x3/4 | 1 |
| 3 | 84530 | Clutch Guard Assy | 1 | 40 | 105367 | Nut - Hex 10-24 | 2 |
| 4 | 102144 | . Screw - Bar adjusting | 1 | 41 | 100240 | Lockwasher - #10 | 2 |
| 5 | 102067 | . Nut - Hex 10-24 | 1 | 42 | 83111 | Bumper | 2 |
| 6 | 110387 | . Washer - Wavey | 1 | 43 | 86075 | Brace - Frame | 1 |
| 7 | 100002 | . Washer - #10 | 1 | 44 | 85850 | Cover Assy - Air cleaner (A, B, C, D, J) | 1 |
| 8 | 61705 | . Nut - Bar adjusting | 1 | 45 | 84700 | Cover Assy - Air cleaner (S) | 1 |
| 9 | 110264 | . Washer - 3/16 | 1 | 46 | 110565 | . Ring - Retaining | 1 |
| 10 | 64325 | Plate - Bar protector | 1 | 47 | 68529 | . Knob - Cover | 1 |
| 11 | | Bar & Chain Assy | 1 | 48 | 86014 | Nameplate | 1 |
| 12 | * 110594 | Nut - Hex 3/8-24 (R.H.) | 1 | 49 | 85387 | Filter - Air | 1 |
| | 86113 | Nut - Hex 3/8-24 (L.H.) | 1 | 50 | 110741 | Screw - Pan hd 10-24 x 1/2 | 3 |
| 13 | 86464 | Clutch Assy | 1 | 51 | 62978 | Screw - Special | 2 |
| 14 | 110850 | . Screw - Hex hd 8-32 x 1/2 | 6 | 52 | 85242 | Screw - Special | 1 |
| 15 | 85363 | . Plate - Retainer | 2 | 53 | 102762 | Screw - Hex hd 10-24 x 1/2 | 1 |
| 16 | 86409 | . Plate Assy - Retainer | 1 | 54 | 69890 | Lockplate | 1 |
| 17 | 86079 | . Spring - Clutch | 1 | 55 | | Fan Housing & Starter Assys (See Figure 2) | |
| 18 | 86465 | . Shoe - Clutch | 3 | 56 | 86451 | Cap Assy - Fuel | 1 |
| 19 | 85397 | . Rotor - Clutch | 1 | 57 | 86453 | . Plug | 1 |
| 20 | 86394 | Drum - Clutch | | 58 | 53766A | . Valve | 1 |
| 21 | -86344 | Sprocket (7-T .375) (B,C,D,J,S) | | 59 | 69767 | . Gasket | 1 |
| | -86144 | Sprocket (7-T .404) (A) | | 60 | 102388 | Screw - Hex hd 10-24 x 5/8 | 2 |
| 22 | 86395 | Washer - Sprocket | 1 | 61 | 101194 | Lockwasher - #10 | 2 |
| 23 | 110330 | Bearing - Sprocket | 1 | 62 | 100002 | Washer - #10 | 2 |
| 24 | 84978 | Shield - Sawdust | 1 | 63 | 102861 | Screw - Hex hd 1/4-20 x 5/8 | 2 |
| 25 | 102433 | Screw - Hex hd 10-24 x 1-5/8 | 2 | 64 | 100153 | Lockwasher - 1/4 | 2 |
| 26 | 101194 | Lockwasher - #10 | 2 | 65 | 100005 | Washer - 1/4 | 2 |
| 27 | 84798 | Clamp - Frame | 1 | 66 | 110807 | Screw - Pan hd 8-32 x 5/16 | 2 |
| 28 | 102130 | Screw - Hex hd 1/4-20 x 1-1/2 | 1 | 67 | | Fuel Tank Assy (See Figure 3) | |
| 29 | 100153 | Lockwasher - 1/4 | 1 | 68 | -87826 | Clamp - Hose | 1 |
| 30 | 63484 | Clamp - Frame | 1 | 69 | 69598 | Line - Pulse | 1 |
| 31 | 84571 | Frame & Grip Assy (C,D,A) | 1 | 70 | 67944 | Spring - Pulse line | 1 |
| 32 | -87733 | Frame & Grip Assy (B,J,S) | 1 | 71 | | Flywheel & Ignition System (See Figure 6) | |
| 33 | 104950 | Screw - Hex hd 10-24 x 5/8 (SEMS) | 2 | 72 | | Powerhead & Oiler Assys (See Figure 7) | |
| 34 | 83819 | Clamp - Lower mount | 1 | | | | |
| 35 | 110679 | Screw - Hex hd 1/4-20 x 2 | 1 | | | | |
| 36 | 84661 | Grommet | 1 | | | | |
| 37 | 110845 | Washer - 1/4 | 1 | | | | |

* Right-hand thread nut for use with Crankshaft, P/N 83792, on engines with serial numbers prefixed 11-.

Part numbers which have changed since the previous printing of the illustrated parts list covering these saws, are indicated by a dash (-) preceding the new part number.

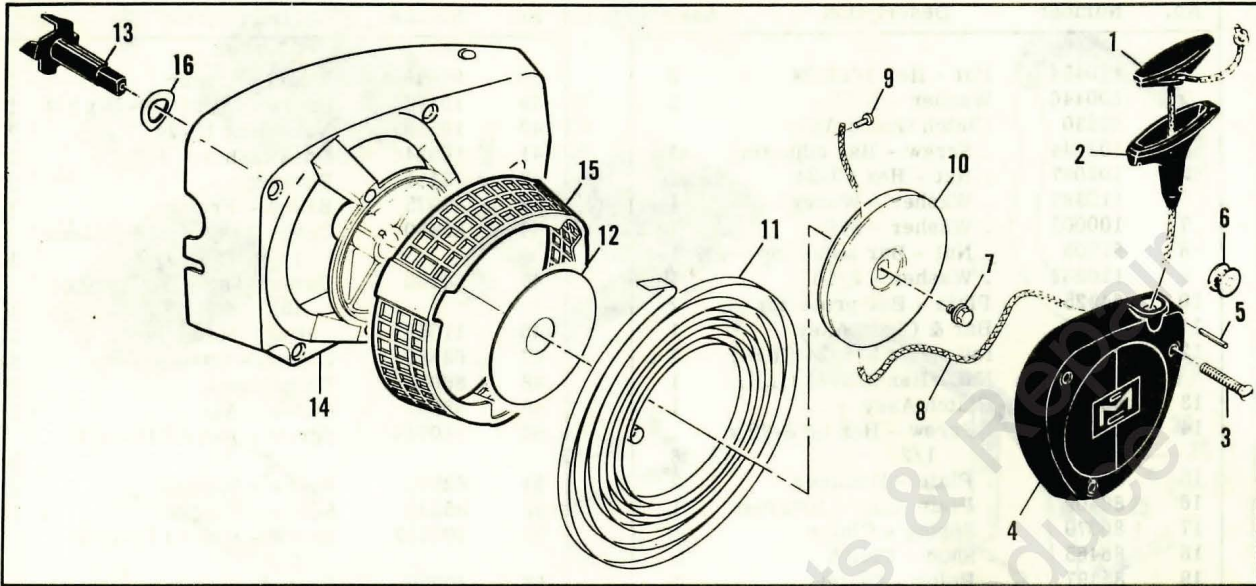


Figure 2. Fan Housing and Starter Assembly.

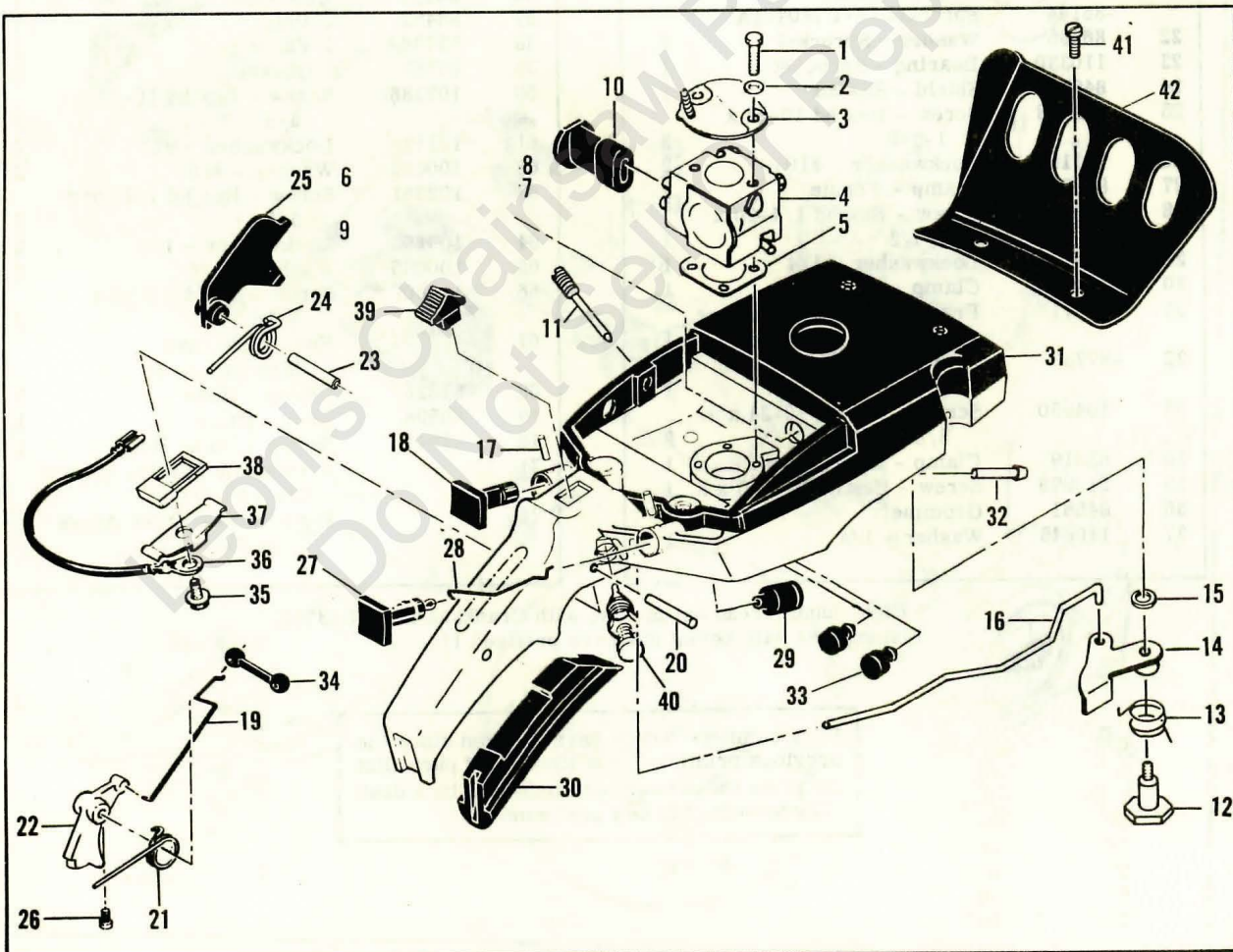


Figure 3. Fuel Tank Assembly

Figure 2. Fan Housing and Starter Assemblies

| Item No. | Part Number | Description | Units Per Assy |
|----------|-------------|------------------------------|----------------|
| 1 | 62191A | Insert - Starter handle | 1 |
| 2 | 62190A | Handle - Starter | 1 |
| 3 | 110646 | Screw - Oval hd 8-32 x 1-1/8 | 3 |
| 4 | -87672 | Cover Assy - Starter | 1 |
| 5 | ① 110657 | Pin - Roll | 1 |
| 6 | ① 84051 | Pulley - Rope | 1 |
| 7 | 110341 | Screw - Hex hd 10-24 x 1/2 | 1 |

| Item No. | Part Number | Description | Units Per Assy |
|----------|-------------|-------------------|----------------|
| 8 | -68162 | Rope - Starter | 1 |
| 9 | 110470 | Rivet - Rope | 1 |
| 10 | 86405 | Drum - Starter | 1 |
| 11 | -87680 | Spring - Rewind | 1 |
| 12 | 86053 | Shield - Spring | 1 |
| 13 | 83748 | Shaft - Starter | 1 |
| 14 | -87693 | Kit - Fan housing | 1 |
| 15 | -87674 | . Guard - Sawdust | 1 |
| 16 | ① 86052 | Washer - Special | 1 |

① Used on models with serial number prefixes 11-, 12- and 13-.

Figure 3. Fuel Tank Assembly

| Item No. | Part Number | Description | Units Per Assy |
|----------|-------------|--|----------------|
| 1 | 110551 | Screw - Hex hd 10-24 x 2-1/8 | 2 |
| 2 | 101194 | Lockwasher - #10 | 2 |
| 3 | 83204 | Bracket Assy | 1 |
| 4 | | Carburetor Assy (See Figures 4 and 5) | |
| 5 | 86189 | Gasket - Carburetor | 1 |
| 6 | 64848 | Hose Assy - Fuel | 1 |
| 7 | 63932 | . Filter - Fuel | 1 |
| 8 | 100440 | . Washer | 1 |
| 9 | 67944 | Spring - Hose stiffener | 1 |
| 10 | 69629 | Boot - Carburetor needle (B, C, D, J, A) | 1 |
| | 85901 | Boot - Carburetor needle (S) | 1 |
| 11 | 86273 | Screw - Idle speed adjustment | 1 |
| 12 | 69594 | Pivot - Oiler lever | 1 |
| 13 | 69781 | Spring - Oiler lever | 1 |
| 14 | 69825 | Lever Assy - Oiler | 1 |
| 15 | 105048 | Washer - 3/16 | 1 |
| 16 | 69802 | Rod - Oiler | 1 |
| 17 | 105673 | Pin - Roll 3/32 x 9/16 | 2 |
| 18 | 63044 | Button - Oiler | 1 |
| 19 | 69632 | Rod - Throttle | 1 |
| 20 | 110378 | Pin - Roll 3/16 x 15/16 | 1 |

| Item No. | Part Number | Description | Units Per Assy |
|----------|-------------|----------------------------------|----------------|
| 21 | 87178 | Spring - Throttle return | 1 |
| 22 | 86450 | Trigger | 1 |
| 23 | 103818 | Pin - Roll (S) | 1 |
| 24 | 85937 | Spring - Safety trigger (S) | 1 |
| 25 | -87753 | Trigger - Safety (S) | 1 |
| 26 | 110537 | Screw - Fil hd 8-36 x 1/2 | 1 |
| 27 | 69630 | Button - Choke | 1 |
| 28 | 69631 | Rod - Choke | 1 |
| 29 | 69597 | Boot - Control rod | 2 |
| 30 | -87883 | Grip - Handle | 1 |
| 31 | 85846 | Tank Assy - Fuel (B, C, D, J, A) | 1 |
| | -86369 | Tank Assy - Fuel (S) | 1 |
| 32 | 69600 | . Nipple - Pulse line | 1 |
| 33 | 84272 | Bumper - Mount | 2 |
| 34 | 69043 | Snubber - Rod | 1 |
| 35 | 103672 | Screw - Fil hd 8-32 x 1/2 (SEMS) | 1 |
| 36 | 83661 | Wire Assy - Stop switch | 1 |
| 37 | 62451 | Contact - Switch | 1 |
| 38 | 62950A | Base - Switch | 1 |
| 39 | 68846 | Button - Switch | 1 |
| 40 | 85451 | Latch Assy - Throttle | 1 |
| 41 | 110741 | Screw - Pan hd 10-24 x 1/2 (S) | 2 |
| 42 | 87245 | Guard - Hand (S) | 1 |

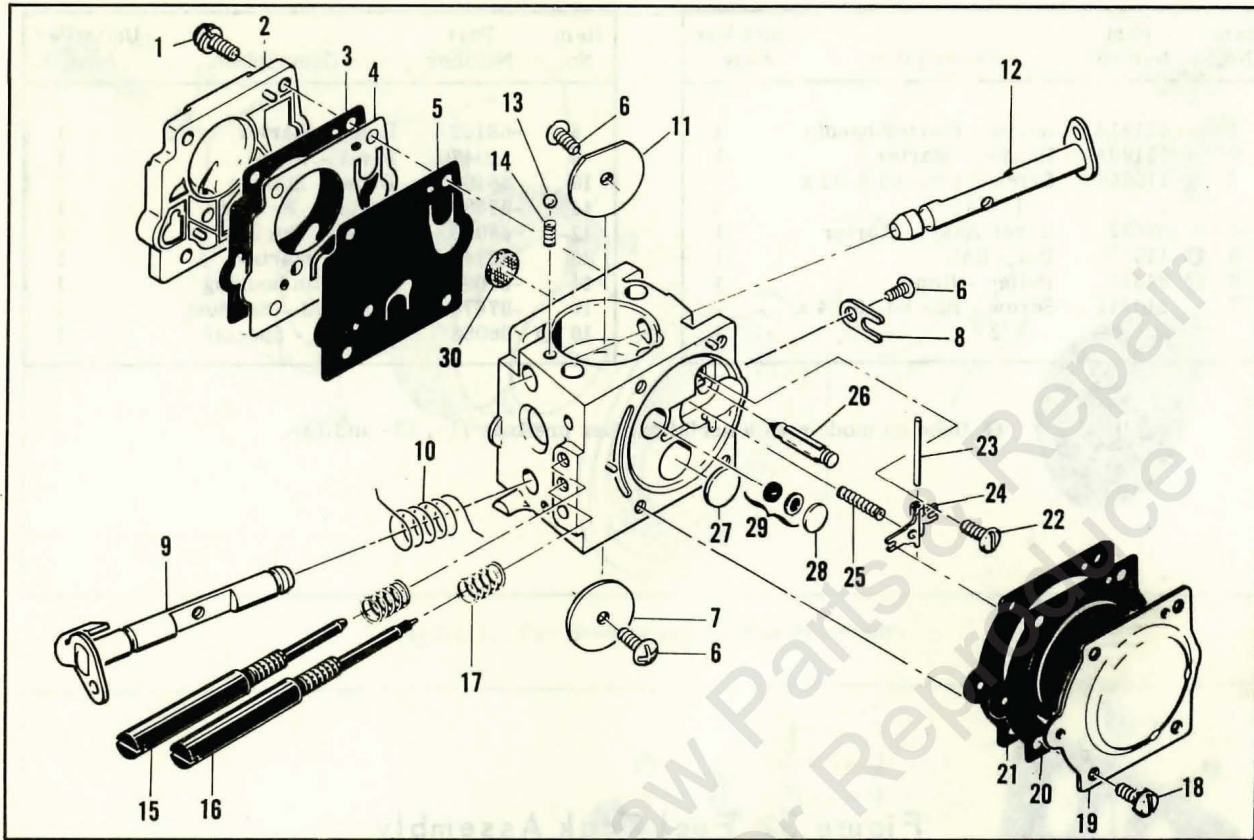


Figure 4. Carburetor Assembly

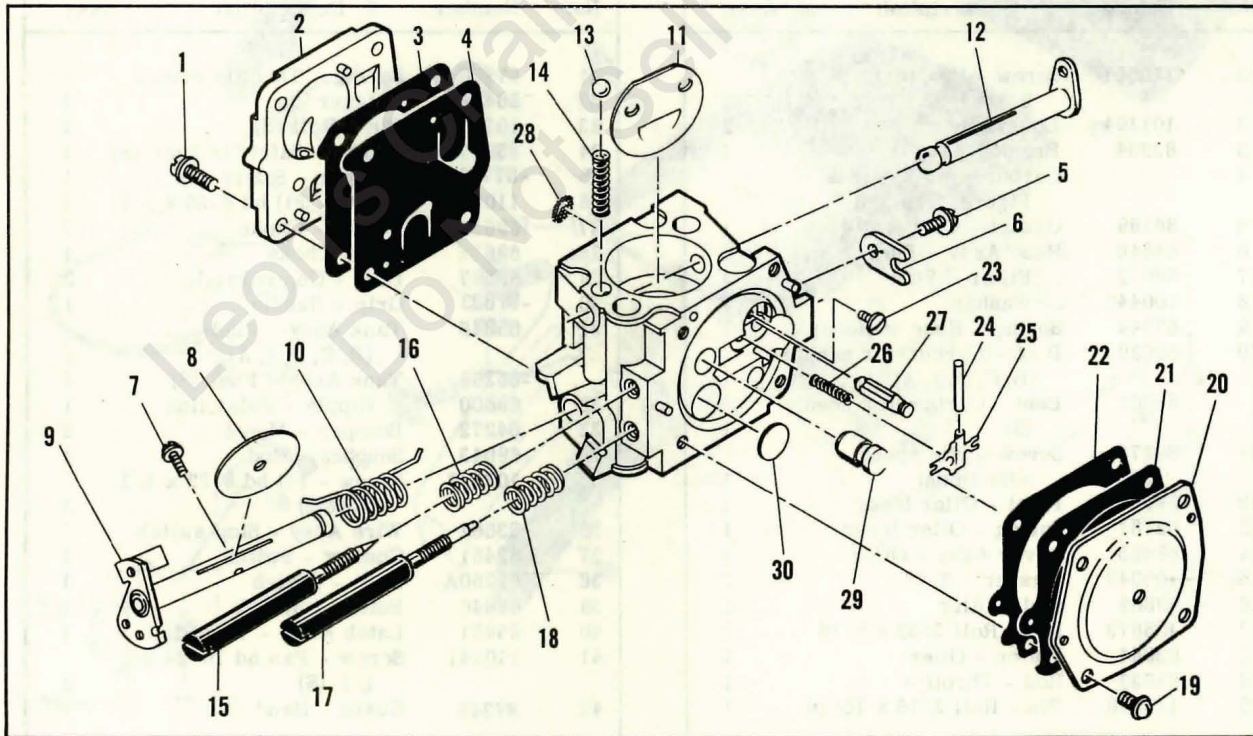


Figure 5. Carburetor Assembly

Figure 4. Carburetor Assembly.

| Item No. | Part Number | Description | Units Per Assy |
|----------|-------------|-----------------------------|----------------|
| | -87821 | Carburetor Assy (B,C,D,J,A) | 1 |
| 1 | 67501 | . Screw - Pump cover | 4 |
| 2 | 83760 | . Cover - Pump | 1 |
| 3 | *67495 | . Gasket - Cover | 1 |
| 4 | *67498 | . Diaphragm - Check valve | 1 |
| 5 | *83114 | . Diaphragm - Fuel pump | 1 |
| 6 | *47690 | . Screw - Plate | 3 |
| 7 | 83762 | . Plate - Throttle | 1 |
| 8 | 67489 | . Clip - Shaft | 1 |
| 9 | 85980 | . Shaft Assy - Throttle | 1 |
| 10 | 85981 | . Spring - Throttle return | 1 |
| 11 | 67490 | . Plate - Choke | 1 |
| 12 | 67488 | . Shaft Assy - Choke | 1 |
| 13 | *100302 | . Ball - Choke friction | 1 |
| 14 | *67504 | . Spring - Choke friction | 1 |
| 15 | *85979 | . Needle - High speed | 1 |
| 16 | *85982 | . Needle - Idle | 1 |

| Item No. | Part Number | Description | Units Per Assy |
|----------|-------------|---------------------------|----------------|
| 17 | *67502 | . Spring - Needle | 2 |
| 18 | 70798 | . Screw - Diaphragm | 4 |
| 19 | 83761 | . Cover - Diaphragm | 1 |
| 20 | *67499 | . Diaphragm - Metering | 1 |
| 21 | *67496 | . Gasket - Diaphragm | 1 |
| 22 | *67500 | . Screw - Lever pin | 1 |
| 23 | *67508 | . Pin - Lever | 1 |
| 24 | *67509 | . Lever - Inlet | 1 |
| 25 | *67503 | . Spring - Lever | 1 |
| 26 | *67491 | . Valve - Needle | 1 |
| 27 | *71690 | . Plug - 3/8 | 1 |
| 28 | *69506 | . Plug - 5/16 | 1 |
| 29 | 83758 | . Kit - Valve & Seat Assy | 1 |
| 30 | *67507 | . Screen - Fuel | 1 |
| | *67482 | Gasket Set | |
| | 85987 | Repair Kit | |

*Indicates parts included in Repair Kit, P/N 85987

Figure 5. Carburetor Assembly

| Item No. | Part Number | Description | Units Per Assy |
|----------|-------------|----------------------------|----------------|
| | 85916 | Carburetor Assy (S) | 1 |
| 1 | 52933 | . Screw - Pump cover | 4 |
| 2 | 66628 | . Cover - Pump | 1 |
| 3 | 66629 | . Gasket - Cover | 1 |
| 4 | 66630 | . Diaphragm - Fuel pump | 1 |
| 5 | 48780 | . Screw - Clip retainer | 1 |
| 6 | 66646 | . Clip - Throttle shaft | 1 |
| 7 | 48780 | . Screw - Plate | 1 |
| 8 | 51720 | . Plate - Throttle | 1 |
| 9 | 83546 | . Shaft Assy - Throttle | 1 |
| 10 | 67136 | . Spring - Throttle return | 1 |
| 11 | 65856 | . Plate - Choke | 1 |
| 12 | 83725 | . Shaft Assy - Choke | 1 |
| 13 | 100071 | . Ball - Choke friction | 1 |
| 14 | 52930 | . Spring - Choke friction | 1 |
| 15 | 86169 | . Needle - High speed | 1 |

| Item No. | Part Number | Description | Units Per Assy |
|----------|-------------|------------------------------|----------------|
| 16 | 52936 | . Spring - High speed needle | 1 |
| 17 | 86170 | . Needle - Idle | 1 |
| 18 | 67133 | . Spring - Idle needle | 1 |
| 19 | 51721 | . Screw - Diaphragm cover | 4 |
| 20 | 83724 | . Cover - Diaphragm | 1 |
| 21 | 66632 | . Diaphragm - Metering | 1 |
| 22 | 66633 | . Gasket - Diaphragm | 1 |
| 23 | 83479 | . Screw - Lever pin | 1 |
| 24 | 66636 | . Pin - Lever | 1 |
| 25 | 66638 | . Lever - Metering | 1 |
| 26 | 66404 | . Spring - Lever | 1 |
| 27 | 66637 | . Valve - Needle | 1 |
| 28 | 66623 | . Screen - Fuel inlet | 1 |
| 29 | 83729 | . Check Valve - Nozzle | 1 |
| 30 | 66622 | . Plug - Welch | 1 |

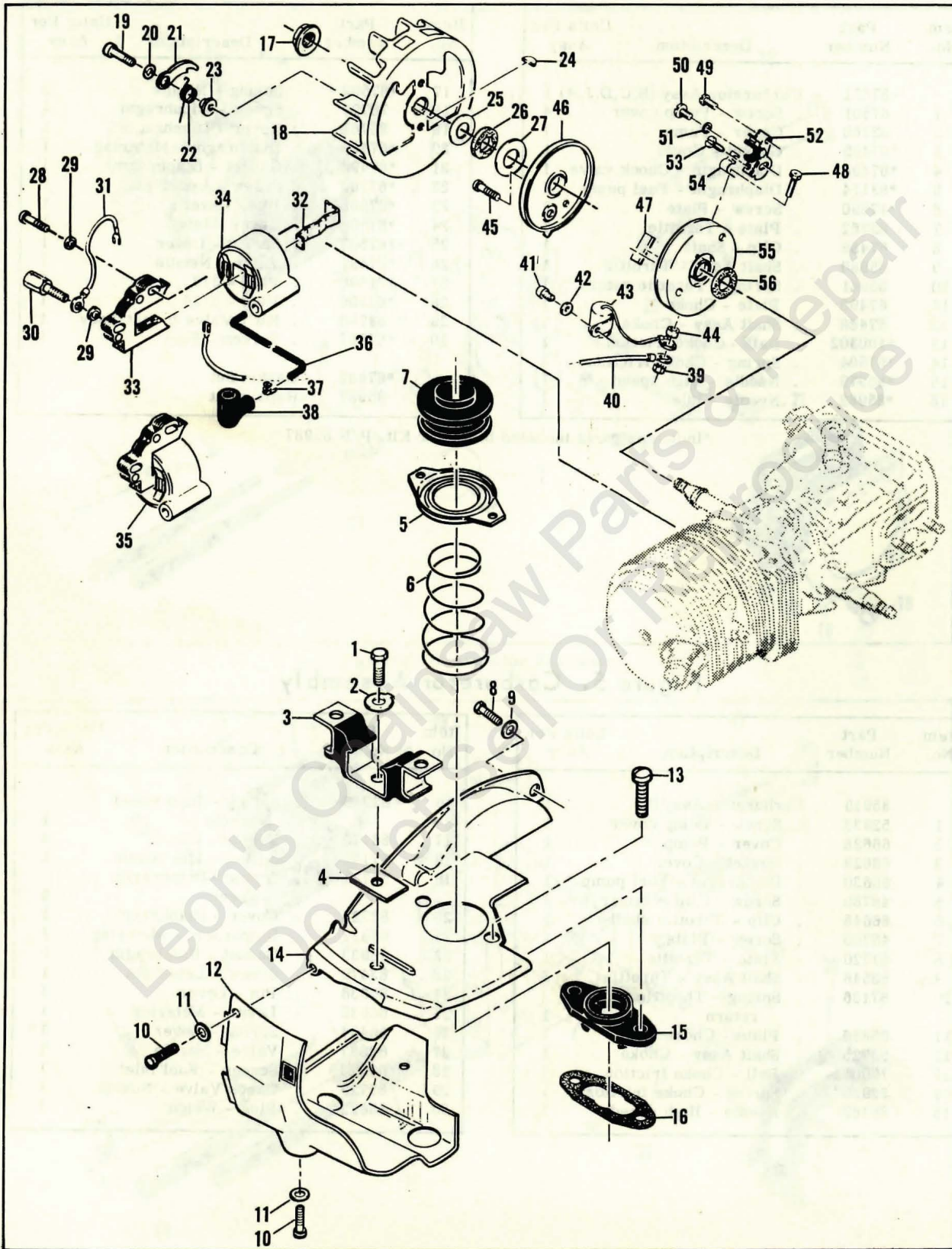


Figure 6. Flywheel and Ignition System

Figure 6. Flywheel and Ignition System

| Item No. | Part Number | Description | Units Per Assy | Item No. | Part Number | Description | Units Per Assy |
|----------|-------------|------------------------------------|----------------|----------|-------------|--|----------------|
| 1 | 83811 | Screw - Special | 1 | 30 | 83512 | Stud - Special | 1 |
| 2 | 69924 | Lockplate | 1 | 31 | 85798 | Wire Assy - Ground | 1 |
| 3 | 85794 | Mount - Rear | 1 | 32 | * 51253 | Retainer - Coil | 1 |
| 4 | 84619 | Insulator | 1 | 33 | * 85138 | Lamination Assy | 1 |
| 5 | 86175 | Clamp Assy - Boot | 1 | 34 | * 84972 | Kit - Coil & Terminal | 1 |
| 6 | 86190 | Spring - Ground | 1 | 35 | 87246 | Coil & Lamination Assy (B, C, D, J, S, A) | 1 |
| 7 | -87843 | Boot - Third port | 1 | 36 | 50120 | Wire Assy - Spark plug | 1 |
| 8 | 110776 | Screw - Fil hd 8-32 x 3/8 | 1 | 37 | 55061 | Connector | 1 |
| 9 | 100057 | Lockwasher - #8 | 1 | 38 | -85758 | Boot | 1 |
| 10 | 102500 | Screw - Pan hd 10-24 x 1/2 | 3 | 39 | 100298 | Nut - Hex 6-32 | 1 |
| 11 | 100002 | Washer - #10 | 3 | 40 | 85796 | Wire Assy - Primary | 1 |
| 12 | 86314 | Shroud - Lower | 1 | 41 | 103672 | Screw - Fil hd 8-32 x 1/2 (SEMS) | 1 |
| 13 | 104396 | Screw - Pan hd 10-24 x 3/4 | 2 | 42 | 100080 | Washer - #8 | 1 |
| 14 | 85281 | Shroud - Upper | 1 | 43 | 85358 | Condenser | 1 |
| 15 | -87844 | Insulator - Inlet | 1 | 44 | 62365 | Spacer - Breaker box | 1 |
| 16 | 85136 | Gasket - Insulator | 1 | 45 | 110584 | Screw - Pan hd 8-32 x 3/4 | 1 |
| 17 | 110703 | Nut - Hex 3/8-24 | 1 | 46 | 62362 | Cover - Breaker box | 1 |
| 18 | 86068 | Flywheel Assy | 1 | 47 | 54184 | Wiper - Cam | 1 |
| 19 | 110713 | Screw - Skt hd 10-24 x 7/8 | 2 | 48 | 110346 | Screw - Hex hd 6-32 x 3/4 | 1 |
| 20 | 83241 | Washer - Special | 2 | 49 | 110811 | Screw - Pan hd 8-32 x 3/8 | 1 |
| 21 | 67546 | Pawl - Starter | 2 | 50 | 110445 | Screw - Truss hd 8-32 x 3/8 | 1 |
| 22 | 67545 | Spring - Pawl | 2 | 51 | 105976 | Washer - #8 | 1 |
| 23 | 67547 | Pivot - Pawl | 2 | 52 | 66231 | Breaker Assy | 1 |
| 24 | 103879 | Key - Woodruff | 1 | 53 | 110706 | Screw - Pan hd 6-32 x 7/16 s/t | 1 |
| 25 | 67057 | Washer - Thrust | 1 | 54 | 83126 | Strap - Conduction | 1 |
| 26 | 67056 | Seal - Breaker box cover | 1 | 55 | 84329 | Box - Breaker | 1 |
| 27 | 67054 | Washer - Thrust | 1 | 56 | 67051 | Seal - Breaker box | 1 |
| 28 | 103947 | Screw - Hex hd 10-24 x 1 (SEMS) | 1 | | | | |
| 29 | 100002 | Washer - #10 | 2 | | | | |

*Used on engines with serial numbers prefixed 11- and 12-.

Accessories

| Part Number | Description |
|-------------|-----------------------------------|
| 84597 | Baffle - Spark arrester |
| -86218 | Kit - Preheater |
| 86330 | Kit - Spike |
| -86419 | Guide - Timing |
| 63746 | Scrench |
| 63097 | Spark Plug - AC CS 45T |
| 65778 | Spark Plug - AC CS 41T |
| 62827 | Wrench - Screwdriver (C, D, J, S) |
| -83235 | Wrench - Screwdriver (B) |
| -85968 | Guard - Hand |
| -87839 | Adapter - Bar mounting |
| 85726 | Manual - Owner's (A, C, D) |
| 200779 | Manual - Owner's (B, S) |

SP-80

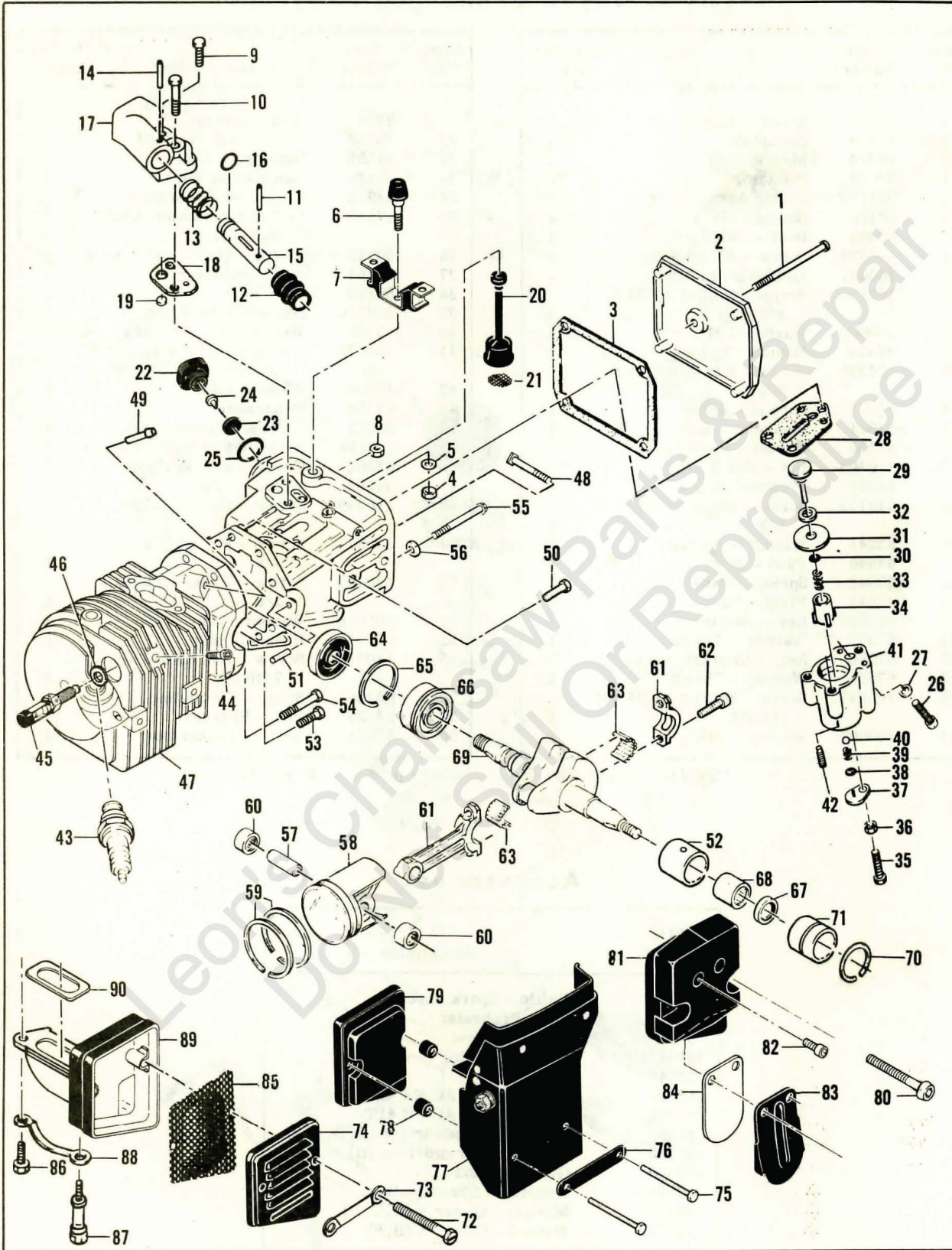


Figure 7. Powerhead and Oiler Assemblies

Figure 7. Powerhead and Oiler Assemblies

| Item No. | Part Number | Description | Units Per Assy |
|----------|-------------|--|----------------|
| 1 | 110291 | Screw - Pan hd 10-24 x 2-5/8 | 1 |
| 2 | -86304 | Cover - Oil tank | 1 |
| 3 | 86306 | Gasket - Cover | 1 |
| 4 | 101143 | Nut - Hex 1/4-20 | 1 |
| 5 | 102523 | Washer - 1/4 | 1 |
| 6 | 69832 | Bumper - Front | 1 |
| 7 | -87813 | Mount - Front | 1 |
| 8 | 100955 | Nut - Hex 8-32 | 1 |
| 9 | 110623 | Screw - Fil hd 8-32 x 1/2 | 1 |
| 10 | 105245 | Screw - Fil hd 8-32 x 1 (SEMS) | 1 |
| 11 | 105673 | Pin - Roll 3/32 x 9/16 | 1 |
| 12 | 69586 | Boot - Plunger | 1 |
| 13 | 69585 | Spring - Plunger | 1 |
| 14 | 101556 | Pin - Roll 1/8 x 5/8 | 1 |
| 15 | 69584 | Plunger - Pump | 1 |
| 16 | 101056 | "O" Ring | 1 |
| 17 | 69582 | Body - Oil pump | 1 |
| 18 | 62230 | Gasket - Oil pump | 1 |
| 19 | 62909 | Valve - Oiler | 1 |
| 20 | 62123B | Hose Assy - Oil | 1 |
| 21 | 50506 | . Screen - Hose | 1 |
| 22 | 87270 | Cap - Oil tank | 1 |
| 23 | 87269 | . Retainer - Valve | 1 |
| 24 | 86402 | . Valve | 1 |
| 25 | 101148 | "O" Ring | 1 |
| 26 | 110713 | Screw - Skt hd 10-24 x 7/8 | 1 |
| 27 | 24236 | Washer - Special | 1 |
| 28 | 86188 | Gasket - Pump | 1 |
| | 83786 | Pump Assy - Pulse | 1 |
| 29 | 60260A | . Piston Assy - Pump | 1 |
| 30 | 104001 | . "O" Ring | 1 |
| 31 | 86182 | . Ring - Piston | 1 |
| 32 | 60937 | . Washer - Teflon | 1 |
| 33 | 60259 | . Spring - Piston | 1 |
| 34 | 62227 | . Sleeve - Adjustment | 1 |
| 35 | 110386 | . Screw - Hex hd 8-32 x 1 | 1 |
| 36 | 100251 | . Nut - Hex 8-32 | 1 |
| 37 | 62407 | . Cover - Outlet valve | 1 |
| 38 | 106104 | . "O" Ring | 1 |
| 39 | 62885A | . Spring - Outlet valve | 1 |
| 40 | 102809 | . Ball - Outlet valve | 1 |
| 41 | 83787 | . Body Assy - Pump | 1 |
| 42 | 110643 | . Screw - Set 8-32 x 7/16 | 1 |
| 43 | 63432 | Spark Plug - AC CS 42T (B, C, D, J, S) | 1 |
| | 65408 | Spark Plug - Ch CJ8 (A) | 1 |
| 44 | 110681 | Screw - Skt hd 10-24 x 1/4 | 1 |
| 45 | -87866 | Valve - DSP | 1 |
| 46 | 85505 | Washer - Valve | 1 |

| Item No. | Part Number | Description | Units Per Assy |
|----------|-------------|---|----------------|
| 47 | 87296 | Crankcase Assy | 1 |
| 48 | 62065 | . Bolt - Bar mounting | 2 |
| 49 | 69600 | . Nipple - Pulse line | 1 |
| 50 | 110288 | . Screw - Hex hd 8-32 x 3/4 | 2 |
| 51 | 110851 | . Pin - Dowel | 1 |
| 52 | 87152 | . Insert - Bearing | 1 |
| 53 | 110288 | Screw - Hex hd 8-32 x 3/4 | 1 |
| 54 | 110644 | Screw - Hex hd 8-32 x 1-1/2 | 1 |
| 55 | 62105 | Screw Assy - Sealing | 4 |
| 56 | 62842 | . Washer - Sealing | 4 |
| 57 | 69020 | Pin - Piston | 1 |
| 58 | ① 85244 | Piston Assy | 1 |
| | ② -87791 | Piston Assy | 1 |
| 59 | ① 85245 | . Ring Set - Piston | 1 |
| | ② -87854 | . Ring Set - Piston | 1 |
| 60 | 110590 | . Bearing - Needle | 2 |
| 61 | 85237 | Connecting Rod Assy | 1 |
| 62 | 61627A | . Screw - Special | 2 |
| 63 | 85246 | . Roller - (Set of 22) | 1 |
| 64 | 61618 | Seal - Oil | 1 |
| 65 | 63464 | Ring - Snap | 1 |
| 66 | 63429B | Bearing - Ball | 1 |
| 67 | 110260 | Seal - Oil | 1 |
| 68 | 104357 | Bearing - Needle | 1 |
| 69 | 86193 | Crankshaft | 1 |
| 70 | ③ 63699 | Ring - Bearing insert | 1 |
| 71 | ③ 63701 | Insert - Bearing | 1 |
| 72 | 103353 | Screw - Hex hd 10-24 x 1-1/2 (B, C, D, A) | 2 |
| 73 | 86050 | Lockplate (B, C, D, A) | 1 |
| 74 | 84603 | Cover - Muffler (B, D, A) | 1 |
| 75 | 103355 | Screw - Hex hd 10-24 x 1-7/8 (S) | 2 |
| 76 | 84644 | Lockplate (S) | 1 |
| 77 | 86209 | Duct, Valve & Guard Assy (S) | 1 |
| 78 | 84642 | Spacer - Preheater (S) | 2 |
| 79 | 85233 | Cover Assy - Muffler (C, S) | 1 |
| 80 | 110861 | Screw - Skt hd 10-24 x 1-1/2 (J) | 2 |
| 81 | 84581 | Kit - Cover & Valve Assy (J) | 1 |
| 82 | 110472 | . Screw - Skt hd 8-32 x 5/16 (J) | 2 |
| 83 | 87193 | . Stop - Reed (J) | 1 |
| 84 | 85585 | . Valve - Reed (J) | 1 |
| 85 | 84580 | Baffle - Muffler | 1 |
| 86 | 110529 | Screw - Hex hd 10-24 x 1/2 | 1 |
| 87 | 84578 | Screw - Special | 1 |
| 88 | 84579 | Lockplate | 1 |
| 89 | 84572 | Body & Duct Assy | 1 |
| 90 | 84577 | Gasket - Muffler | 1 |

① Used on engines with serial numbers prefixed 11-, 12-, and 13-.

② Used on engines with serial numbers prefixed 14-.

③ Used on engines with serial numbers prefixed 11- and 12-.

McCULLOCH
CORPORATION



● MANUFACTURING ● SALES ● SERVICE ●

McCULLOCH
CORPORATION

P.O. Box 92180, Los Angeles, CA 90009

Copyright - McCulloch,

To answer service-related questions and to solve common consumer problems quickly, we invite you to call this toll-free hot-line:

Arizona residents please call collect (602)453-3681

(800) 423-6302