

Models	Serial Number Prefix
600077A	11-
600077B	11-
600077D	11-
600077J	11-

SP 105 CHAIN SAW

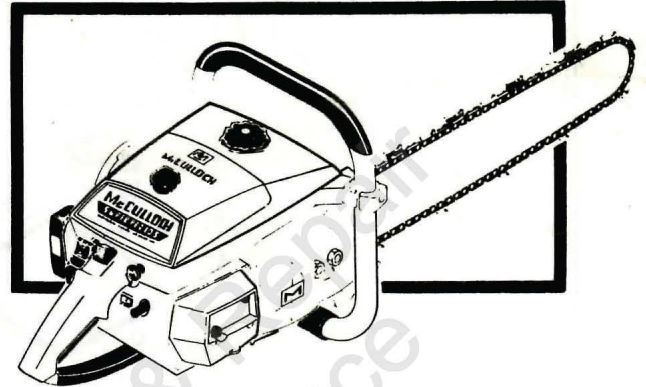
ILLUSTRATED PARTS LIST

SP 105 chain saws are identified by a model number (600077) followed by a suffix letter (A, B, D, etc.) stamped on the identification plate attached to the saw. Suffix letters denote variations in parts or assemblies in manufacture of the saw.

Part numbers listed in this I. P. L. which have a suffix letter or letters following the description, indicate the part is used only on the model identified by that letter or letters.

Part numbers and descriptions without suffix letter or letters apply to all models of the SP 105 saw unless specifically noted otherwise.

The policy of McCulloch Corporation is one of continual improvement in design, manufacturing and engineering advancement wherever possible to assure still finer two-cycle power tools. Hence, specifications, equipment, colors, design and manufacturer's suggested list prices are subject to change without notice and McCulloch Corporation reserves the right to make such changes without prior notification or obligation to backfit or supply backfit components for units previously shipped from the factory.



August 1973

	Page
Figure 1. General.....	2
Figure 2. Clutch Guard & Clutch Assemblies ..	4
Figure 3. Fan Housing & Starter Assembly ..	5
Figure 4. Fuel Tank Assembly....	6
Figure 5. Carburetor Assembly...	8
Figure 6. Oiler Tank & Pump Assemblies ..	10
Figure 7. C'case Cover & Ignition Assemblies ..	12
Figure 8. Powerhead & Shroud Assemblies	14

 **McCULLOCH**

COPYRIGHT U.S.A. 1973
McCULLOCH CORPORATION
Printed in USA

89270

SP 105

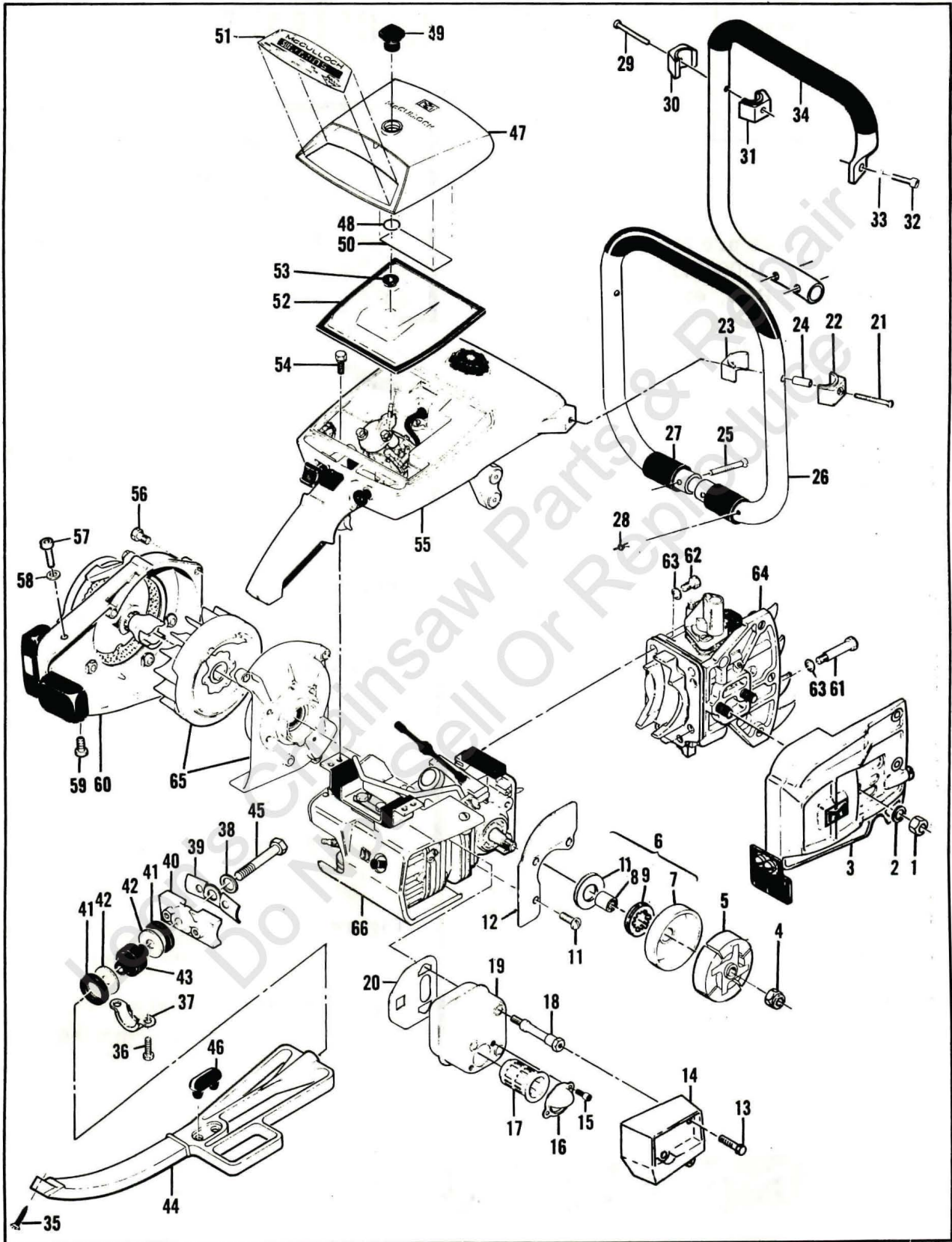


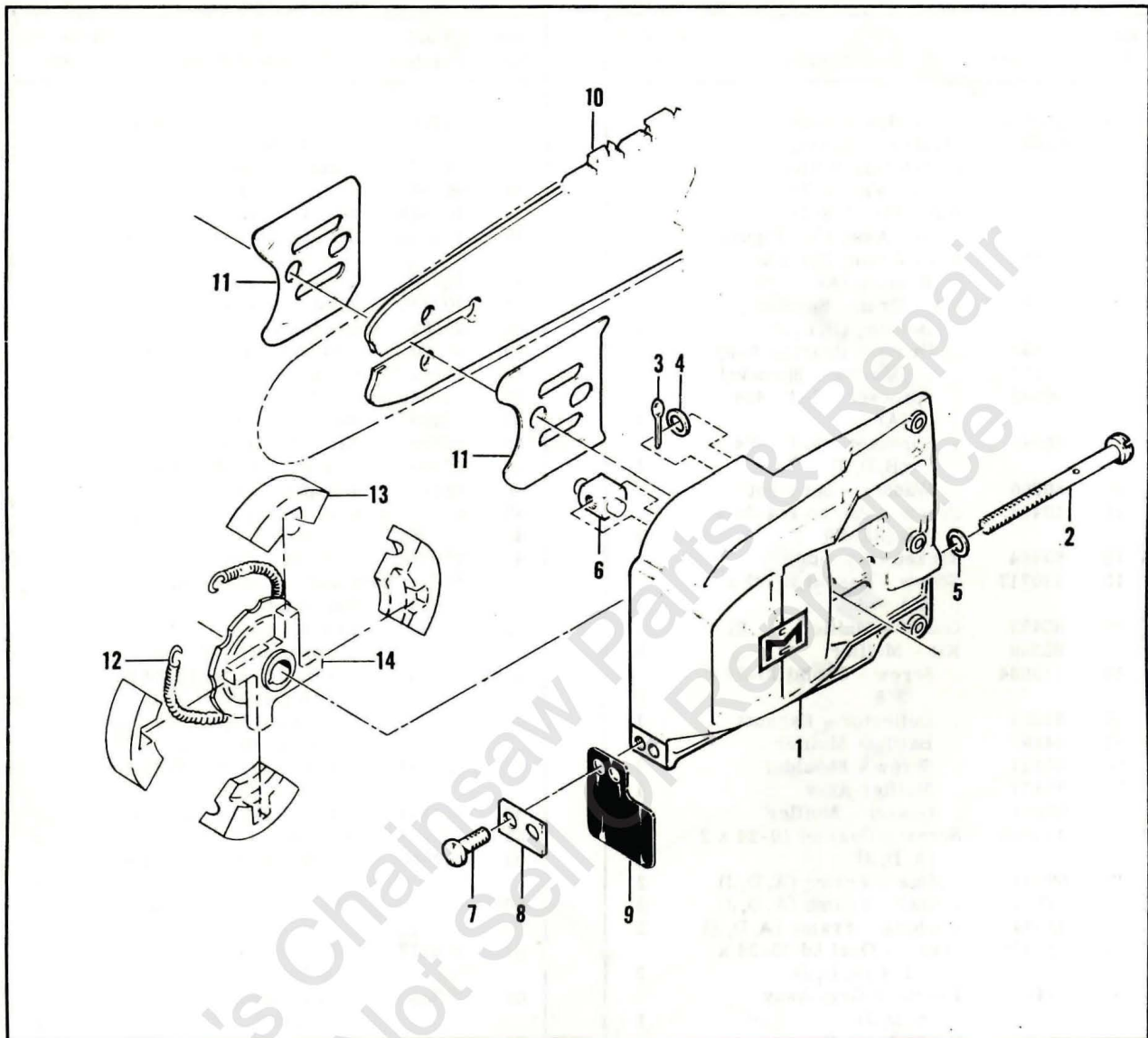
Figure 1. General

FIGURE 1. GENERAL

Item No.	Part Number	Description	Units Per Assy
1	110625	Nut - Hex 3/8-24	2
2	84623	Washer - Special	2
3		Clutch Guard Assy (See Figure 2)	
4	86113	Nut - Hex 3/8-24 (L. H.)	1
5		Clutch Assy (See Figure 2)	1
6	86350	Kit - Drum, Sprocket, Bearing (A)	1
	86340	Kit - Drum, Sprocket, Bearing (B, D, J)	1
7	86343	. Drum & Bearing Assy	1
8	87111	. . Bearing - Sprocket	1
9	86342	. Sprocket - 7-T .404 (A)	1
	86341	. Sprocket - 8-T .404 (B, D, J)	1
10	86366	. Washer - Sprocket	1
11	104133	Screw - Pan hd 1/4-20 x 5/8 (SEMS)	3
12	69464	Jacket - Cylinder	1
13	110717	Screw - Hex hd 10-32 x 3/4	3
14	85459	Guard - Muffler	1
	85388	Kit - Muffler	1
15	110664	. Screw - Skt hd 10-24 x 3/8	2
16	84203	. Deflector - Exhaust	1
17	84690	. Baffle - Muffler	1
18	85121	. Screw - Shoulder	3
19	85117	. Muffler Assy	1
20	89224	. Gasket - Muffler	1
21	110605	Screw - Oval hd 10-24 x 2 (A, D, J)	2
22	69994	Collar - Frame (A, D, J)	2
23	69995	Collar - Frame (A, D, J)	2
24	69524	Bushing - Frame (A, D, J)	2
25	110606	Screw - Oval hd 10-24 x 1-1/4 (A, D, J)	2
26	69468	Frame & Grip Assy (A, D, J)	1
27	69885	Protector - Frame (A, D, J)	2
28	84795	Rivet - Stop (A, D, J)	2
29	110605	Screw - Oval hd 10-24 x 2 (B)	1
30	69994	Collar - Frame (B)	1
31	69995	Collar - Frame (B)	1

Item No.	Part Number	Description	Units Per Assy
32	110714	Screw - Skt hd 10-24 x 3/4 (B)	1
33	24236	Washer - Special (B)	1
34	86106	Frame & Grip Assy (B)	1
35	101986	Screw - Oval hd 10-24 x 1	1
36	104950	Screw - Hex hd 10-24 x 5/8	2
37	83819	Clamp - Lower mount	1
38	102115	Washer - 1/4	1
39	85581	Lockplate	1
40	85220	Bracket - Lower mount	1
41	84661	Grommet	2
42	110845	Washer - Grommet	2
43	85898	Mount - Lower	1
44	86302	Kit - Handle brace	1
45	86301	. Bolt - Handle brace	1
46	69883	Bumper - Brace	1
47	85092	Cover Assy - Air cleaner	1
48	110565	. Ring - Retaining	1
49	68529	. Knob - Cover	1
50	86198	Plate - Instruction	1
51	89269	Nameplate	1
52	69100	Filter - Air	1
53	68528	. Grommet - Filter	1
54	104950	Screw - Hex hd 10-24 x 5/8 (SEMS)	4
55		Fuel Tank Assy (See Figure 4)	
56	104816	Screw - Hex hd 10-24 x 1-1/4 (SEMS)	3
57	104849	Screw - Skt hd 10-24 x 1/2	1
58	110264	Washer - #10	1
59	102500	Screw - Pan hd 10-24 x 1/2	1
60		Fan Housing & Starter Assy (See figure 3)	
61	102127	Screw - Hex hd 1/4-20 x 3-1/4	2
62	103258	Screw - Hex hd 1/4-20 x 1-1/8	2
63	100005	Washer - 1/4	4
64		Oiler Housing Assy (See Figure 6)	
65		Crankcase Cover & Ignition Assys (See Figure 7)	
66		Powerhead & Shroud Assys (See Figure 8)	

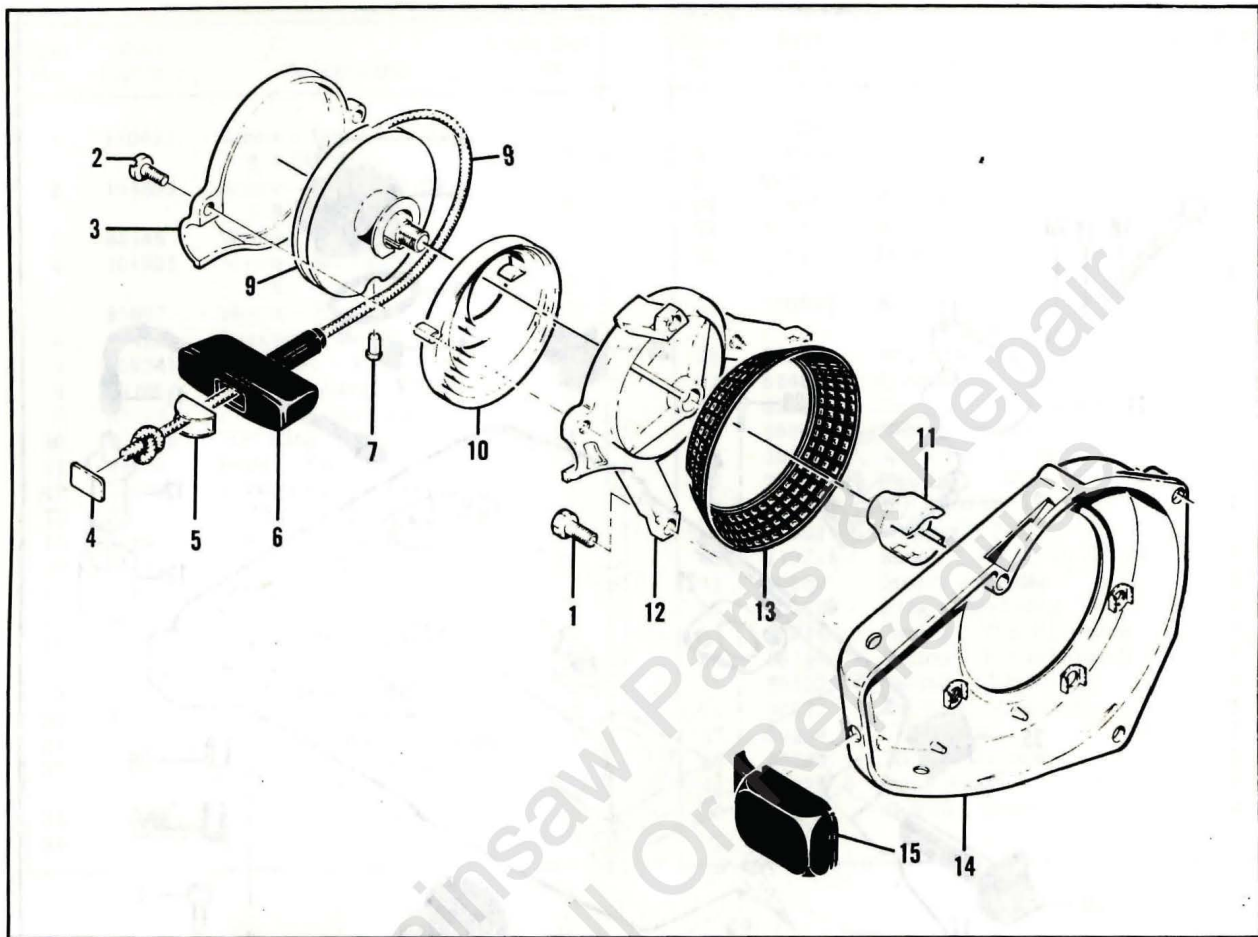
FIGURE 2. CLUTCH GUARD AND CLUTCH ASSEMBLIES



Item No.	Part Number	Description	Units Per Assy
1	85547	Clutch Guard Assy	1
2	62057	. Screw - Adjustment	1
3	105686	. Pin - Cotter	1
4	100004	. Washer - 1, 4	1
5	100005	. Washer - 1, 4	1
6	52207C	. Nut - Bar adjustment	1
7	110041	Screw - Pan hd 8-32 x 1, 2	2
8	69492	Retainer - Deflector	1

Item No.	Part Number	Description	Units Per Assy
9	69477	Deflector - Saw dust	1
10		Bar & Chain Assys	1
11	64935	Plate - Bar	2
	89227	Clutch Assy	1
12	85042	. Spring - Clutch	1
13	51464A	. Shoe - Clutch	4
14	89226	. Rotor Assy	1

FIGURE 3. FAN HOUSING AND STARTER ASSEMBLY



Item No.	Part Number	Description	Units Per Assy
1	104815	Screw - Hex hd 10-24 x 7/8 (SEMS)	3
	84211	Starter Assy	1
2	104396	Screw - Pan hd 10-24 x 3/4	2
3	60647	Cover - Starter	1
4	57232	Plate - Starter handle	1
5	57231	Cup - Handle	1
6	57230	Handle - Starter	1

Item No.	Part Number	Description	Units Per Assy
7	101136	Rivet - Rope	1
8	28716	Rope - Starter	1
9	57792	Drum - Starter	1
10	51665	Spring - Rewind	1
11	57790	Ratchet - Starter	1
12	84212	Base - Starter	1
13	84629	Guard - Sawdust	1
14	89242	Housing - Fan	1
15	85376	Cover - Spark plug	1

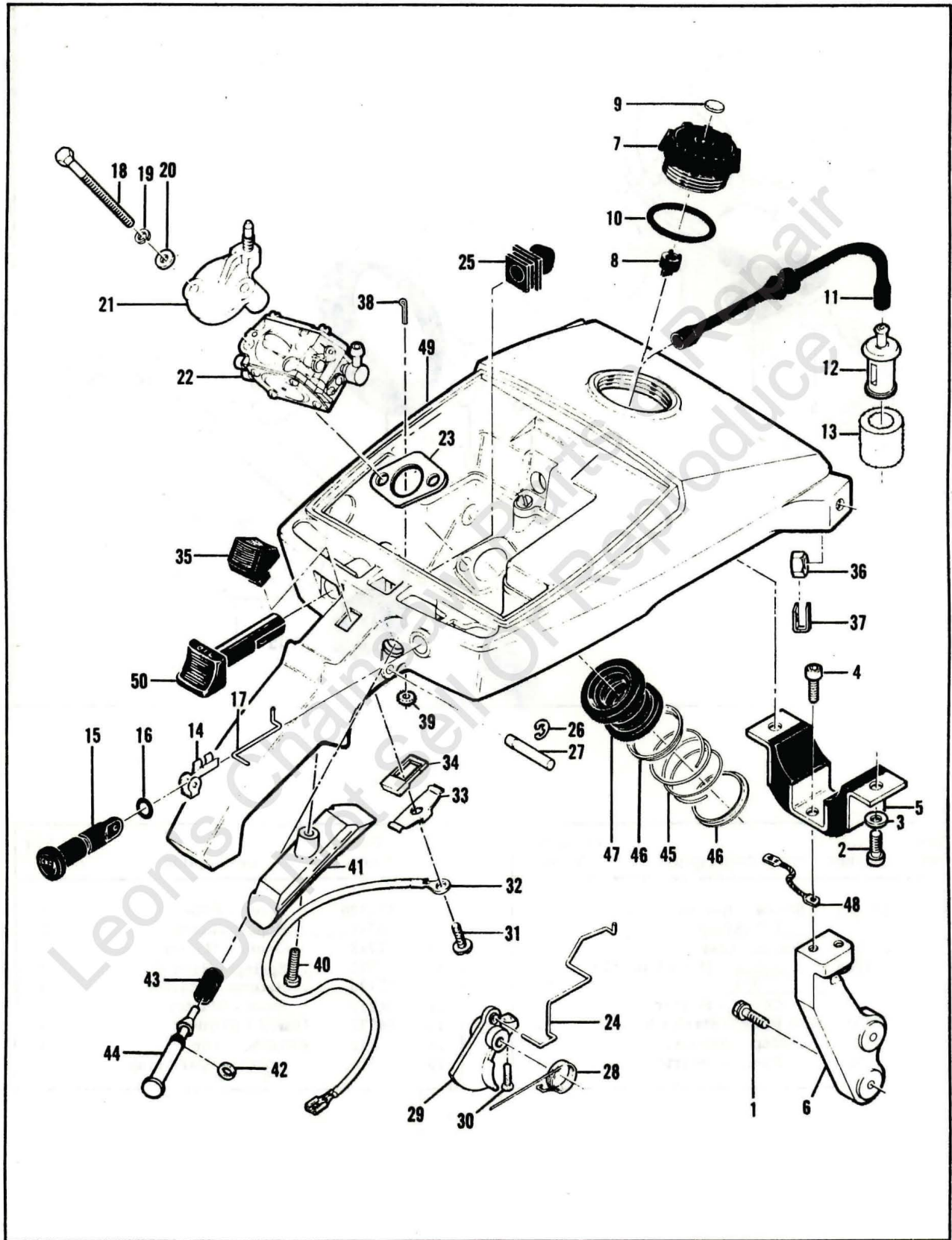


Figure 4. Fuel Tank Assembly

FIGURE 4. FUEL TANK ASSEMBLY

Item No.	Part Number	Description	Units Per Assy
1	110621	Screw - Hex hd 10-24 x 3/4 (SEMS)	2
2	104895	Screw - Skt hd 10-24 x 5/8	2
3	83745	Washer - Special	2
4	104895	Screw - Skt hd 10-24 x 5/8	2
5	85897	Mount - Front	1
6	69422	Bracket - Mount	1
7	55934B	Cap Assy - Fuel	1
8	53766A	Valve Assy - Check	1
9	55063	Seal - Capillary	1
10	101348	"O" Ring	1
11	69312	Hose - Fuel	1
12	53679B	Pickup Assy - Fuel	1
13	61159	Filter - Fuel	1
14	69442	Retainer - Choke rod	1
15	69471	Button - Choke	1
16	101056	"O" Ring	1
17	69443	Rod - Choke	1
18	110614	Screw - Hex hd 10-24 x 2-3/8	2
19	103174	Lockwasher - #10	2
20	24236	Washer - Special	2
21	69152	Anchor Assy - Air cleaner	1
22		Carburetor Assy (See Figure 5)	
23	86189	Gasket - Carburetor	1
24	86149	Rod - Throttle	1

Item No.	Part Number	Description	Units Per Assy
25	69525	Grommet - Throttle rod	1
26	104501	Retainer - Trigger pin	1
27	69465	Pin - Trigger	1
28	69466	Spring - Trigger	1
29	86150	Trigger	1
30	110537	Screw - Fil hd 8-36 x 1/2	1
31	110597	Screw - Pan hd 8-32 x 1/2 (SEMS)	1
32	83661	Wire Assy - Stop switch	1
33	62451	Contact - Switch	1
34	62950A	Base - Switch	1
35	68846	Button - Switch	1
36	101326	Nut - Hex 10-24	2
37	28053	Retainer - Nut	2
38	104310	Pin - Cotter	1
39	69352	Washer - Felt	1
40	110724	Screw - Fil hd 10-24 x 1	1
41	85660	Insert - Handle	1
42	101289	Ring - Retaining	1
43	84214	Spring - Throttle latch	1
44	86151	Button - Throttle latch	1
45	69565	Spring - Connector	1
46	69371	Ferrule - Connector	2
47	69889	Connector	1
48	86365	Strap - Ground	1
49	87879	Tank Assy	1
50	87285	Button - Oiler	1

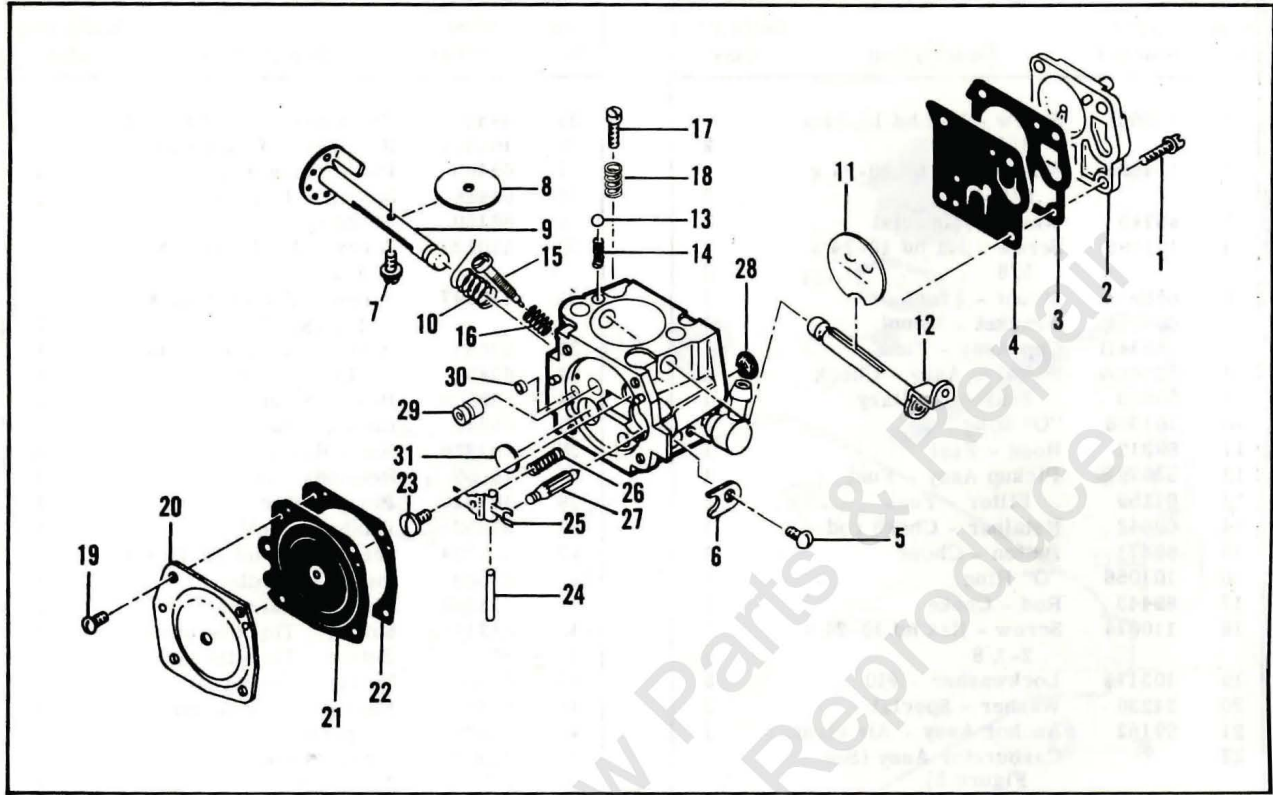


Figure 5. Carburetor Assembly

Leon's Chainsaw Parts & Repair
Do Not Sell Or Reproduce

FIGURE 5. CARBURETOR ASSEMBLY

Item No.	Part Number	Description	Units Per Assy
	87288	Carburetor Assy	1
1	52933	. Screw - Pump cover	4
2	83731	. Cover - Pump	1
3	66629	. Gasket - Pump cover	1
4	*66630	. Diaphragm - Fuel pump	1
5	48780	. Screw - Throttle shaft clip	1
6	66646	. Clip - Throttle shaft	1
7	*48780	. Screw - Throttle plate	1
8	51720	. Plate - Throttle	1
9	88773	. Shaft Assy - Throttle	1
10	*67136	. Spring - Throttle shaft	1
11	66639	. Plate - Choke	1
12	83717	. Shaft Assy - Choke	1
13	100071	. Ball - Choke friction	1
14	48759	. Spring - Choke friction	1
15	88768	. Needle - Idle mixture	1
16	*66626	. Spring - Idle mixture needle	1
17	*66625	. Screw - Idle speed	1
18	*66626	. Spring - Idle speed screw	1

Item No.	Part Number	Description	Units Per Assy
19	51721	. Screw - Diaphragm cover	4
20	66631	. Cover - Diaphragm	1
21	*66632	. Diaphragm - Metering	1
22	66633	. Gasket - Diaphragm	1
23	*66644	. Screw - Inlet lever pin	1
24	*66636	. Pin - Inlet lever	1
25	*66638	. Lever - Inlet	1
26	*66404	. Spring - Inlet lever	1
27	66637	. Needle - Inlet	1
28	*66623	. Screen - Fuel inlet	1
29	88771	. Jet - High speed fuel (029)	1
	88772	. Jet - H/S fuel (028)	Alt.
	88781	. Jet - H/S fuel (027)	Alt.
	88780	. Jet - H/S fuel (026)	Alt.
30	52928	. Plug - Cup	1
31	*66622	. Plug - Welch	1
	*88774	Gasket Set	
	88775	Repair Kit	
	88776	Gasket & Diaphragm Set	

*Indicates parts included in Repair Kit, P/N 88775.

Leon's Chainsaw Parts & Repairs
Do Not Sell Or Reproduce

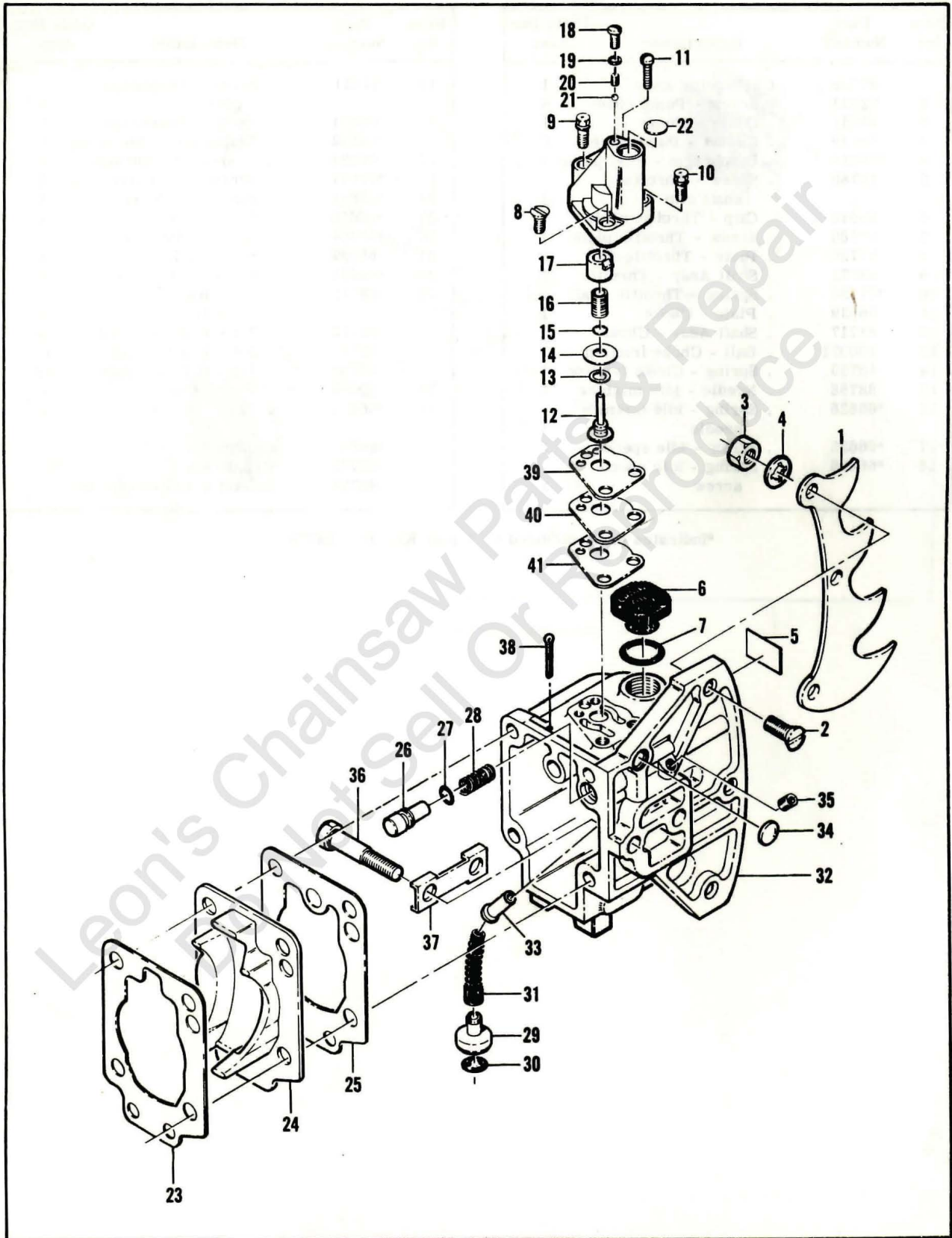


Figure 6. Oiler Tank & Pump Assemblies

FIGURE 6. OILER TANK AND PUMP ASSEMBLIES

Item No.	Part Number	Description	Units Per Assy
1	61331	Kit - Spike	1
2	102088	. Screw - Fl hd 1/4-20 x 3/4	3
3	100152	. Nut - Hex 1/4-20	3
4	100153	. Lockwasher	3
5	59445	Decal - Oiler	1
6	57129A	Cap - Oil	1
7	101148	"O" Ring	1
8	110245	Screw - Fl hd 10-24 x 3/4	1
9	110257	Screw - Hex hd 10-24 x 1-3/4	1
10	110127	Screw - Hex hd 10-24 x 7/8 (SEMS)	1
	83135	Pump Assy - Pulse	1
11	110890	. Screw - Fil hd 10-24 x 7/8	1
12	60260A	. Piston Assy	1
13	60937	. Washer - Piston	1
14	86182	. Ring - Piston	1
15	104001	. "O" Ring	1
16	86183	. Spring - Piston	1
17	67918	. Sleeve - Adjustment	1
18	60397A	. Screw - Special	1
19	60398B	. Washer - Special	1

Item No.	Part Number	Description	Units Per Assy
20	60396B	. Spring - Ball check	1
21	102809	. Ball - Check	1
22	110157	. Plug - Expansion	1
23	65654	Gasket - Crankcase bottom cover	1
24	60251A	Cover - Crankcase bottom	1
25	86125	Gasket - Oiler housing	1
26	63643	Piston - Oiler	1
27	103198	"O" Ring	1
28	51946	Spring - Piston	1
29	51505	Weight Assy - Oil line	1
30	51506	. Screen - Oil	1
31	28007	Hose - Oil pickup	1
32	85392	Housing Assy - Oil	1
33	51982A	. Valve Assy - Check	1
34	105677	. Plug - Expansion	1
35	104869	. Plug - Pipe	1
36	51423B	. Bolt - Bar	2
37	51439	. Lockplate	1
38	104062	. Pin - Cotter	1
39	86186	. Gasket - Pump	1
40	67471	. Spacer - Pump	1
41	68794	. Gasket - Spacer	1

Leon's Chainsaw Parts & Tools
Do Not Sell Or Reproduce

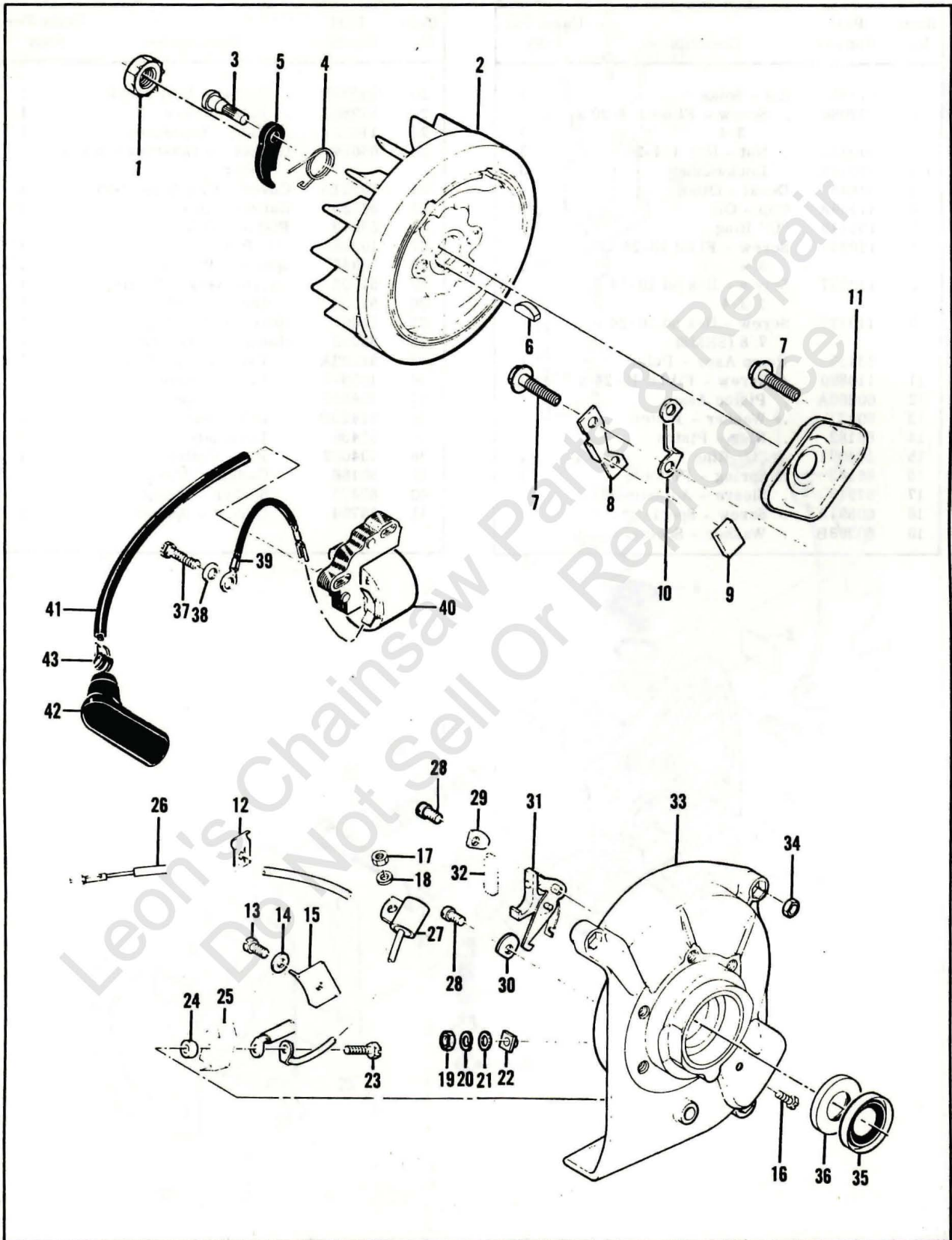


Figure 7. Crankcase Cover & Ignition Assemblies

FIGURE 7. CRANKCASE COVER AND IGNITION ASSEMBLIES

Item No.	Part Number	Description	Units Per Assy	Item No.	Part Number	Description	Units Per Assy
1	110655	Nut - Hex 7/16-30	1	23	110338	Screw - Hex hd 8-32 x 9/16	1
2	68282	Flywheel & Pawl Assy	1	24	57769	Insulator - Ignition screw	1
3	36144B	. Pin - Pawl	2	25	55782A	Insulator - Breaker terminal	1
4	66351	. Spring - Pawl	2	26	63628	Wire Assy - Primary	1
5	24093	. Pawl - Starter	2	27	85358	Condenser	1
6	103879	Key - Woodruff	1	28	104733	Screw - Fil hd 8-32 x 1/2 (SEMS)	2
7	110866	Screw - Hex hd 10-24 x 3/4 (SEMS)	6	29	57767A	Lockplate	1
8	57815	Strap - Seal	1	30	55778E	Washer - Breaker retainer	1
9	50664	Seal - Breaker box	1	31	88807	Breaker Assy	1
10	55977	Clip - Cover	2	32	54184	Wiper - Oil	1
11	55766B	Cover - Breaker box	1	33	84193	Cover Assy - Crankcase	1
12	104230	Nut - Speed	1	34	101326	. Nut - Hex 10-24	3
13	110055	Screw - Fil hd 8-32 x 3/8 (SEMS)	1	35	57898	. Seal - Oil	1
14	100080	Washer - #8	1	36	57897	. Seal - Oil	1
15	57829	Clamp - Ignition wire	1	37	110713	Screw - Skt hd 10-24 x 7/8	2
16	103748	Screw - Hex hd 8-32 x 1/2	1	38	83745	Washer - Special	2
17	100251	Nut - Hex 8-32	1	39	63639	Wire Assy - Ground	1
18	100057	Lockwasher - #8	1	40	85243	Coil & Lamination Assy	1
19	104551	Nut - Hex 8-32	1	41	50120	. Wire Assy - Spark plug	1
20	104553	Lockwasher - #8	1	42	55060	. . Boot - Spark plug	1
21	100080	Washer - #8	1	43	55061	. . Connector - Spark plug	1
22	57770A	Insulator - Breaker spring	1				

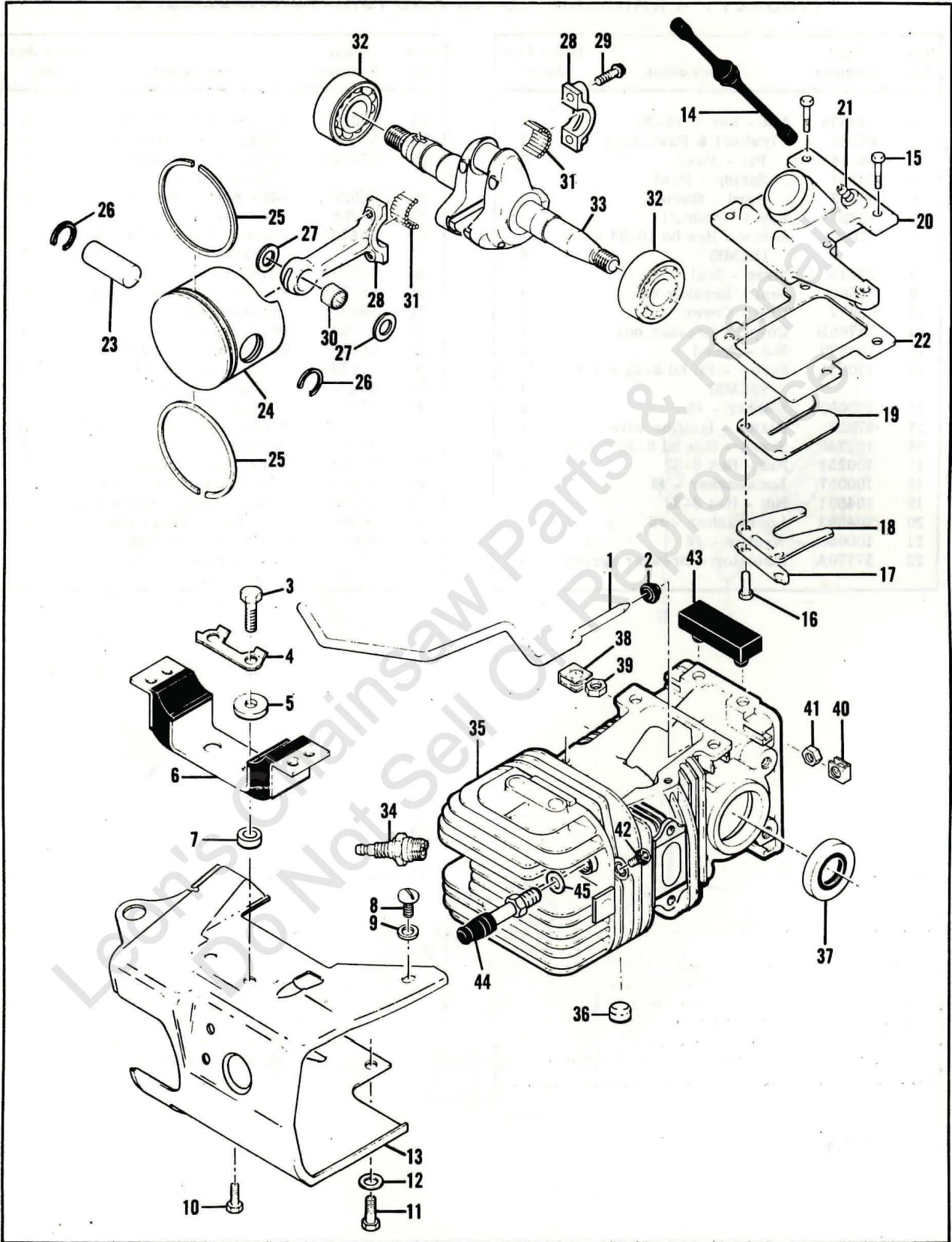


Figure 8. Powerhead & Shroud Assemblies

FIGURE 8. POWERHEAD AND SHROUD ASSEMBLIES

Item No.	Part Number	Description	Units Per Assy
1	69460	Pushrod - Oiler	1
2	57736	Seal - Pushrod	1
3	102761	Screw - Hex hd 10-24 x 7/8	2
4	69654	Lockplate	1
5	69417	Washer - Insulator	2
6	85896	Mount - Rear	1
7	85261	Spacer - Insulator	2
8	104393	Screw - Pan hd 10-24 x 3/8	1
9	100003	Washer - #10	1
10	104950	Screw - Hex hd 10-24 x 5/8	1
11	102861	Screw - Hex hd 1/4-20 x 5/8	2
12	100005	Washer - 1/4	2
13	89230	Shroud	1
14	88759	Hose - Pulse line	1
15	110621	Screw - Hex hd 10-24 x 3/4 (SEMS)	4
	85156	Manifold & Reed Assy	1
16	103748	Screw - Hex hd 8-32 x 1/2	2
17	69501	Lockplate	1
18	85513	Stop - Reed	1
19	85154	Valve - Reed	1
20	85235	Manifold & Pulse Fitting	1
21	69600	Fitting - Pulse	1
22	69526	Gasket - Manifold	1

Item No.	Part Number	Description	Units Per Assy
23	89204	Pin - Piston	1
24	89251	Piston Assy	1
25	89250	Ring Set	1
26	85273	Ring - Retaining	2
27	85266	Washer - Thrust	2
28	88623	Connecting Rod Assy	1
29	110720	Screw - Spline hd Special	2
30	85607	Roller - Needle (Set of 22)	1
31	69891	Roller - Needle	24
32	110883	Bearing - Ball	2
33	89222	Crankshaft	1
34	63432	Spark Plug	1
35	89265	Crankcase Assy	1
36	110685	Plug - Cup	3
37	104432	Seal - Oil	1
38	28053	Retainer - Nut	2
39	101326	Nut - Hex 10-24	2
40	18556A	Retainer - Nut	6
41	105394	Nut - Hex 1/4-20	6
42	110681	Screw - Skt hd 10-24 x 1/4	1
43	69872	Snubber - Fuel tank	1
44	85148	Valve - Comp. rel.	1
45	85505	Washer - Valve	1

ACCESSORIES

Part Number	Description
64797	Wrench - Spark plug
61040	Wrench - Combination
85584	Socket - Extension
85583	Key - Splined socket
65712	Guide - Timing
84688	Kit - Spark arrester baffle

Part Number	Description
85108	Retainer - Baffle
85463	Kit - Preheater
86351	Kit - Fuel cap cover
83463	Kit - Gas & Go
65778	Spark Plug - AC CS 41T
86115	Manual - Owner's

SP 105 Numerical Order Parts List

Part Number	Description	Units Per Assy
18556A	Retainer - Nut	6
24093	Pawl - Starter	2
24236	Washer - Special	3
28007	Hose - Flexible	1
28053	Retainer	4
28716	Rope - Starter	1
36144B	Pin - Starter Pawl	2
48780	Screw & Lockwasher	2
50120	Wire Assy - Sparkplug	1
50664	Seal - Beaker	1
51423B	Bolt - Bar	2
51439	Plate - Lock	1
51464A	Shoe - Clutch	4
51505	Weight Assy - Oil	1
51506	Screen - Oil	1
51665	Spring - Rewind	1
51720	Shutter - Throttle	1
51721	Screw - Cover	4
51946	Spring - Oiler	1
51982A	Valve Assy - Check	1
52207	Nut - Bar adj	1
52928	Plug - Cup	1
52930	Spring - Choke	1
53679B	Pickup Assy - Fuel	1
53766A	Valve - Check	1
54184	Wiper - Oil wick	1
55060	Boot - Sparkplug	1
55061	Connector - Sparkplug	1
55063	Seal - Capillary	1
55766B	Cover Assy - Breaker	1
55778B	Washer - Breaker	1
55782A	Insulator - Breaker	1
55934B	Cap Assy - Fuel	1
55977	Clip - Breaker box	2
57129A	Cap - Oiler	1
57230	Handle - Starter	1
57231	Cup - Starter	1
57232	Plate - Starter	1
57736	Seal - Pushrod	1
57767A	Plate - Lock	1
57769	Insulator - Ignition	1
57770A	Insulator - Breaker	1
57790	Ratchet - Starter	1
57792	Drum - Starter	1
57815	Strap - Seal	1
57829	Clamp - Ignition wire	1
57897	Seal - Dust	1
57898	Seal - Oil	1
59445	Decal - Oiler	1
60251A	Cover - Crankcase bottom	1
60260A	Piston Assy - Oiler	1
60396B	Spring - Ball check	1
60397A	Screw - Oiler	1
60398B	Washer - Pl	1
60647	Cover - Starter	1
60937	Washer - Pulse	1
61040	Wrench - Screwdriver	1
61159	Filter - Fuel	1
61331	Kit - Spike	1
62057	Screw - Fil spec	1
62451	Contact - Ignition	1
62950A	Base - Stop switch	1

Part Number	Description	Units Per Assy
63432	Sparkplug	1
63628	Wire Assy - Primary	1
63639	Wire Assy	1
63643	Piston - Oiler	1
64797	Wrench - Sparkplug	1
64935	Plate - Bar	1
65654	Gasket - Crankcase	1
65712	Guide - Timing	1
65778	Sparkplug - AC CS	1
66351	Spring - Pawl	2
66404	Spring - Inlet	1
66622	Plug	1
66623	Screen - Inlet	1
66625	Screw - Idle	1
66626	Spring - Idle	2
66629	Gasket - Fuel	1
66630	Diaphragm - Fuel	1
66631	Cover - Diaphragm	1
66632	Diaphragm	1
66633	Gasket - Diaphragm	1
66637	Needle - Inlet	1
66638	Lever - Inlet	1
66639	Shutter - Choke	1
66644	Screw - Inlet pin	1
66646	Clip - Throttle	1
67136	Spring - Throttle	1
67471	Spacer - Pump	1
67918	Sleeve - Adj	1
68282	Flywheel & Pawl Assy	1
68528	Grommet	1
68529	Knob Assy - A/C	1
68794	Gasket - Oil pump	1
68846	Button - Stop	1
69100	Filter Assy - Air	1
69152	Anchor Assy - A/C	1
69312	Hose - Fuel	1
69352	Washer - Felt	1
69371	Ferrule - Connector	2
69417	Washer - Insulator	2
69422	Bracket - Upper shock	1
69442	Retainer - Choke	1
69443	Rod - Choke	1
69460	Pushrod - Oiler	1
69464	Jacket - Cylinder	1
69465	Pin - Trigger	1
69466	Spring - Trigger	1
69468	Frame & Grip Assy	1
69471	Button - Choke	1
69477	Deflector - Sawdust	1
69492	Retainer - Deflector	1
69501	Plate - Lock reed	1
69524	Bushing - Frame	2
69525	Grommet - Throttle	1
69526	Gasket - Manifold	1
69565	Spring - Flex	1
69600	Nipple - Pulse	1
69654	Plate - Lock	1
69872	Snubber - Fuel	1
69883	Bumper - Brace	1
69885	Protector - Frame	2
69889	Connector - Flex	1
69891X	Roller - Needle	1

SP105 Numerical Order Parts List (continued)

Part Number	Description	Units Per Assy
69994	Collar - Frame	2
69995	Collar - Frame	2
83135	Pump Assy - Pulse	1
83463	Kit - Gas and go	1
83661	Wire Assy - Stop	1
83717	Shaft Assy - Choke	1
83731	Cover - Fuel pump	1
83745	Washer - #10	4
83819	Clamp - Lower	1
84193	Cover Assy - Crank	1
84203	Deflector - Exhaust	1
84211	Starter Assy	1
84212	Base - Starter	1
84214	Spring - Throttle	1
84623	Washer - Bar clamp	2
84629	Guard - Sawdust	1
84661	Grommet	2
84688	Kit - Spark arrestor	1
84690	Baffle Assy - Muffler	1
84795	Rivet - 3/16	2
85042	Spring - Clutch	1
85092	Cover Assy - Air	1
85108	Retainer - Baffle	1
85117	Muffler Assy	1
85121	Screw - Shoulder	3
85148	Valve - Comp. rel	1
85154	Valve - Reed	1
85156	Manifold Assy	1
85220	Bracket - Lower	1
85235	Manifold & Pulse	1
85243	Coil & Lamination Assy	1
85261	Spacer - Insulator	2
85266	Washer - Thrust	2
85273	Ring - Retaining	2
85358	Condenser	1
85376	Kit - Spark plug	1
85388	Kit - Muffler Assy	1
85392	Housing Assy - Oil	1
85459	Guard - Muffler	1
85463	Kit - Preheater	1
85505	Washer - Valve	1
85513	Stop - Reed	1
85547	Guard Assy - Clutch	1
85581	Plate - Lock	1
85583	Key - Spline skt	1
85584	Wrench - Spline	1
85607	Needle - Roller	1
85660	Insert - Handle	1
85896	Mount - Rear	1
85897	Mount - Front	1
85898	Mount - Lower	1
86106	Frame & Grip Assy	1
86112	Rotor - Clutch	1
86113	Nut - Left hand	1
86115	Manual - Owners	1
86125	Gasket - Oiler	1
86149	Rod - Throttle	1
86150	Trigger	1
86151	Button - Throttle	1
86182	Ring - Piston	1
86183	Spring - Oiler	1
86186	Gasket - Oil pump	1

Part Number	Description	Units Per Assy
86189	Gasket - Carburetor	1
86198	Plate - Instruction	1
86301	Bolt - Handle	1
86302	Kit - Brace handle	1
86340	Drum, Bearing & Sprocket	1
86341	Kit - Sprocket	1
86342	Kit - Sprocket	1
86343	Drum & Bearing Assy	1
86350	Drum, Bearing & Sprocket	1
86351	Kit - Fuel cap	1
86365	Strap - Ground	1
86366	Washer - Sprocket	1
87111	Bearing - Needle	1
87285	Plunger - Oiler	1
87288	Carburetor	1
87879	Tank Assy	1
88623	Rod Assy - Connector	1
88759	Hose - Pulse line	1
88768	Screw - Idle	1
88771	Nozzle - Check	1
88772	Nozzle - Check	1
88773	Shaft & Lever Assy	1
88774	Gasket - Set	1
88775	Kit - Repair carburetor	1
88776	Diaphragm & Gasket	1
88780	Nozzle - Check	1
88781	Nozzle - Check	1
88807	Breaker Assy	1
89204	Pin - Piston	1
89222	Crankshaft	1
89224	Muffler Gasket	1
89226	Rotor Assy	1
89227	Clutch Assy	1
89230	Shroud	1
89242	Fan Housing	1
89250	Ring Set	1
89251	Piston Assy	1
89265	Crankcase Assy	1
89269	Nameplate	1
100003 Z	Washer - Plain	1
100004 Z	Washer - 1/4	1
100005 Z	Washer - 1/4	1
100057 Z	Washer - Lock #8	1
100071 Z	Ball - 5/32 dia.	1
100080 Z	Washer - #8	1
100152 Z	Nut - Hex 1/4-20	1
100153 Z	Washer - Lock 1/4	1
100251 Z	Nut - Hex 8-32	1
101056 Z	O Ring	1
101136 Z	Rivet - Rd	1
101148 Z	O Ring	1
101289 Z	Ring - Retaining	1
101326 Z	Nut - Hex 10-24	1
101348 Z	O Ring	1
101986 Z	Screw - Ov 10-24	1
102088 Z	Screw - Flat 1/4	1
102115 Z	Washer - Plain	1
102127 Z	Screw - Hex 1/4-20	1
102500 Z	Screw - Pan 10-24	1
102761 Z	Screw - Hex 10-24	1
102809 Z	Ball - .093 dia.	1
102861 Z	Screw - Hex 1/4-20	1

SP 105 Numerical Order Parts List (continued)

Part Number	Description	Units Per Assy
103174 Z	Washer - Lock #10	1
103198 Z	O Ring	1
103258 Z	Screw - Hex 1/4-20	1
103748 Z	Screw - Hex 8-32	1
103879 Z	Key - Woodruff	1
104001 Z	O Ring	1
104062 Z	Pin - Cotter 1/16	1
104133 Z	Screw - Pan 1/4	1
104230 Z	Nut - Speed 1/8	1
104310 Z	Pin - Cotter 1/16	1
104393 Z	Screw - Pan 10-24	1
104396 Z	Screw - Pan 10-24	1
104432 Z	Seal - Oil	1
104501 Z	Retainer - Pin	1
104551 Z	Nut - Hex 8-32	1
104553 Z	Washer - Lock #8	1
104733 Z	Screw - Fil 8-32	1
104815 Z	Screw - Hex 10-24	1
104816 Z	Screw - Hex 10-24	1
104849 Z	Screw - Socket 10-24	1
104869 Z	Plug - Pipe 1/16	1
104895 Z	Screw - Socket 10-24	1
104950 Z	Screw - Hex 10-24	1
105394 Z	Nut - Lock 1/4-20	1
105677 Z	Welch - Plug 3/8	1
105686 Z	Pin - Cotter 1/6	1
110041 Z	Screw - Pan 8-32	1
110055 Z	Screw - Fil 8-32	1

Part Number	Description	Units Per Assy
110127 Z	Screw - Hex 10-24	1
110157 Z	Plug - Expansion	1
110245 Z	Screw - Flat	1
110257 Z	Screw - Hex 10-24	1
110264 Z	Washer - Spec #10	1
110338 Z	Screw - Hex 8-32	1
110537 Z	Screw - Fil 8-36	1
110565 Z	Ring - Retaining	1
110597 Z	Screw - SEMS 8-32	1
110605 Z	Screw - Oval 10-2	1
110606 Z	Screw - Oval 10-2	1
110614 Z	Screw - Hex 10-24	1
110621 Z	Screw - Hex 10-24	1
110625 Z	Nut - Hex 3/8-24	1
110655 Z	Nut - Flange 7/16	1
110664 Z	Screw - Socket 10-24	1
110681 Z	Screw - Socket 10-24	1
110685 Z	Plug - Cup	1
110713 Z	Screw - Socket 10-24	1
110714 Z	Screw - Socket 10-24	1
110717 Z	Screw - Hex 10-32	1
110720 Z	Screw - Special	1
110724 Z	Screw - Fil 10-24	1
110845 Z	Washer - Plain	1
110866 Z	Screw - Hex 10-24	1
110883	Bearing - Ball	2
110890 Z	Screw - Fil 10-24	1

Service Specifications

Spark Plug - AC CS 42T (Standard)
AC CS 41T (colder)
Spark Plug Gap - .025 inch (.63 mm)
Lamination Gap - .007 to .012 inch (.18 to .30 mm)
Breaker Point Gap - .018 inch (.46 mm)
Timing - 26° BTDC
Carburetor Adjustment
Idle mixture needle - 1 turn open (preliminary)
Main mixture - Fixed high speed jet
0 to 4000 feet - Jet No. 029
3000 to 5500 feet - Jet No. 028
4500 to 8000 feet - Jet No. 027
7000 feet and above - Jet No. 026
Clutch Engagement Speed - 2400 to 2800 R.P.M.
Torques
Connecting Rod Screws - 105 to 110 inch/pounds (121 to 127 cm/kg)
Clutch Nut - 340 to 360 inch/pounds (392 to 416 cm/kg)
Flywheel Nut - 375 to 425 inch/pounds (432 to 490 cm/kg)

McCULLOCH
CORPORATION



● MANUFACTURING ● SALES ● SERVICE ●

McCULLOCH
CORPORATION

P.O. Box 92180, Los Angeles, CA 90009

Copyright - McCulloch.

To answer service-related questions and to solve common consumer problems quickly, we invite you to call this toll-free hot-line:

Arizona residents please call collect (602)453-3681

(800) 423-6302