

# ILLUSTRATED PARTS LIST

MODELS	SERIAL NUMBER PREFIX	MODELS	SERIAL NUMBER PREFIX
600061A	11-, 12-	600061D	11-, 12-
600061B	11-, 12-	600061E	11-, 12-

McCulloch chain saws are identified by a model number (in this instance, 600061) followed by a suffix letter (A, B, C, etc.) stamped on the identification plate attached to the saw. Suffix letters denote variations in parts or assemblies in the manufacture of the saw.

Part numbers listed in this I.P.L. which have a suffix letter or letters following the description, indicate the part is used only on the model(s) identified by the letter or letters.

Part numbers and descriptions without suffix letter or letters apply to all versions of the chain saw model.

Part numbers which have one or more dots (.) preceding their descriptions may be ordered individually, but they are also included in the kit or assembly whose description begins directly above the dot(s).

Part numbers in this IPL which were not in the previous IPL covering these saws, are indicated by a dash (-) preceding the new part number.

The policy of McCulloch Corporation is one of continual improvement in design, manufacturing and engineering advancement wherever possible to assure still finer two-cycle power tools. Hence, specifications, equipment, colors, design and manufacturer's suggested list prices are subject to change without notice and McCulloch Corporation reserves the right to make such changes without prior notification or obligation to backfit or supply backfit components for units previously shipped from the factory.

May 1984

## Pro Mac<sup>TM</sup> 700 CHAIN SAW



### - CONTENTS -

	Page
Figure 1. General . . . . .	2
Figure 2. CHAIN BRAKE Assembly . . . . .	4
Figure 3. Fan Housing & Starter Asys . . . . .	4
Figure 4. Carburetor Assembly . . . . .	6
Figure 5. Fuel Tank Assembly . . . . .	6
Figure 6. Powerhead Assembly . . . . .	8
Service Specifications . . . . .	5
Accessories . . . . .	7



**McCULLOCH  
CORPORATION**

© U.S.A. - McCulloch Corporation, 1984

Printed in U.S.A.

93714-R9

(This IPL, supersedes & replaces IPL, P/N 93376)

Pro Mac™ 700

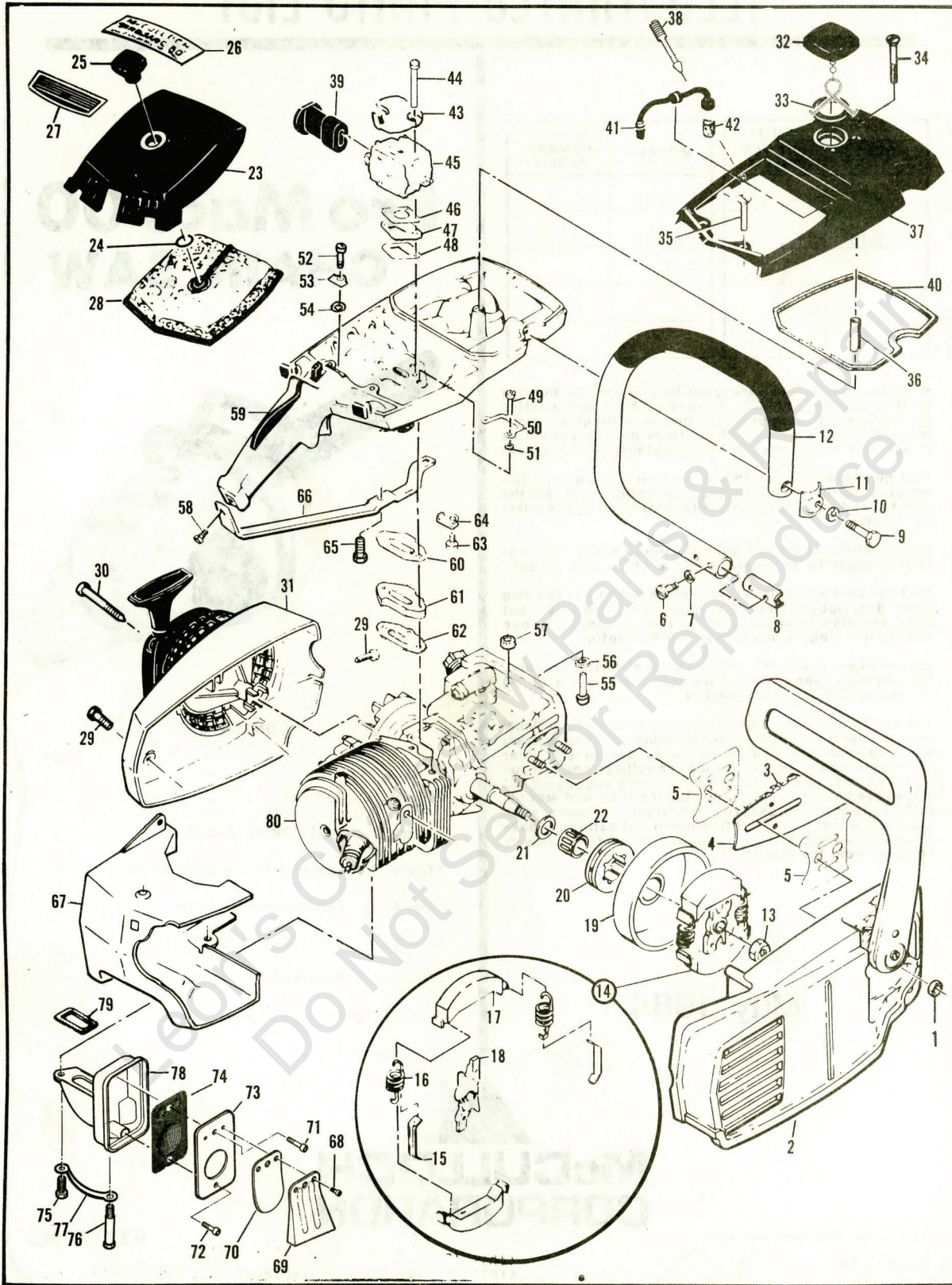


Figure 1. General

Figure 1. General

ITEM NO.	PART NUMBER	DESCRIPTION	UNITS PER ASY.	ITEM NO.	PART NUMBER	DESCRIPTION	UNITS PER ASY.
1	110961	Nut - Hx 5/16-24	2	38	87932	Screw - Idle Adjust	1
2		CHAIN BRAKE Asy (Fig. 2)		39	87665	Boot - Carburetor Adjust	1
3		Chain Assembly	1	40	69345	Gasket - Cover	1
4		Bar Assembly	1	41	-215708	Hose Asy - Fuel	1
5	64330	Set - Bar Plates	1	42	-215714	. Pickup Asy - Fuel	1
6	110865	Screw - Hx hd 10-24 x 7/8	2	43	69952	Bracket - Air Cleaner	1
7	100352	Washer - #10	2	44	103357	Bolt - Hx hd 10-24 x 2-1/4	2
8	89727	Retainer - Frame	1	45		Carburetor Asy (Fig. 4)	
9	102130	Screw - Hx hd 1/4-20 x 1-1/2	1	46	86189	Gasket - Carburetor	1
10	100153	Washer - Lock 1/4	1	47	84078	Spacer - Carburetor	1
11	63484	Clamp - Frame	1	48	84081	Gasket - Spacer	1
12	214549	Frame & Grip Assembly	1	49	110567	Screw - Hx hd 12-24 x 1-1/4	2
13	86113	Nut - Hx 3/8-24 (L.H.)	1	50	68582	Plate - Lock	1
14	214301	Clutch Assembly	1	51	102115	Washer - #12	2
15	64583	. Retainer - Spring	2	52	110568	Screw - Hx hd 12-24 x 1-1/8	1
16	83223	. Spring - Clutch	2	53	69516	Plate - Lock	1
17	67233	. Kit - Clutch Shoe	1	54	64856	Washer - Special	1
18	-214300	. Rotor - Clutch	1	55	110713	Screw - Skt hd 10-24 x 7/8	1
19	95165	Drum & Sprocket Asy 7T .375P (B,D,E)	1	56	100003	Washer - #10	1
20	-86951	. Sprocket - 7T .375(B,D,E)	1	57	69772	① Spacer - Fuel Tank	1
21	86958	. Washer - Sprocket (B,D,E)	1	58	-104400	Screw - Pn hd 10-24 x 1-1/4	1
19	95166	Drum & Sprocket Asy 7T .375P (A)	1	59		Fuel Tank Asy (Fig. 5)	
20	86145	. Sprocket - 7T .375P (A)	1	60	84082	Gasket - Fuel Tank	1
21	86958	. Washer - Sprocket (A)	1	61	84080	Insulator - Fuel Tank	1
22	110971	Bearing - Sprocket	1	62	68594	Gasket - Insulator	1
23	-91543	Cover Asy - Air Cleaner	1	63	110566	Screw - Hx hd 10-24 x 5/8	1
24	110565	. Ring - Retainer	1	64	68508	Plate - Lock	1
25	68529	. Knob - Cover	1	65	110682	Screw - Hx hd 10-24 x 5/8	1
26	93629	Plate - Name	1	66	85007	Brace - Handle	1
27	91548	Plate - Instruction	1	67	214702	Shroud	1
28	-69922	Filter - Air	1	68	110563	Screw - Skt hd 8-32 x 1/4	2
29	110741	Screw - Pan hd 10-24 x 1/2	2	69	92996A	Stop - Reed	1
30	87871	Screw - Special	3	70	85585A	Valve - Reed	1
31		Fan Housing & Starter Asy (Fig. 3)		71	101563	Screw - Skt hd 10-24 x 1-1/4	1
32	-216053	Cap Asy - Fuel	1	72	110439	Screw - Skt hd 10-24 x 1	1
33	69767	. Gasket	1	73	92995	Cover - Spark Arrester	1
34	110402	Screw - Oval hd 12-24 x 2-3/8	1	74	92993	Baffle - Spark Arrester (A)	1
35	101986	Screw - Oval hd 10-24 x 1	2	75	110529	Screw - Hx hd 10-24 x 1/2	1
36	87840	Spacer	1	76	68187	Screw - Special	1
37	88650	Cover - Fuel Tank	1	77	67922	Plate - Lock	1
				78	92989	Body & Duct Assembly	1
				79	84007	Gasket - Spark Arrester	1
				80		Powerhead Asy (Fig. 6)	

① Spacer - Fuel Tank, P/N 69772, may be required on earlier PM 700 models.

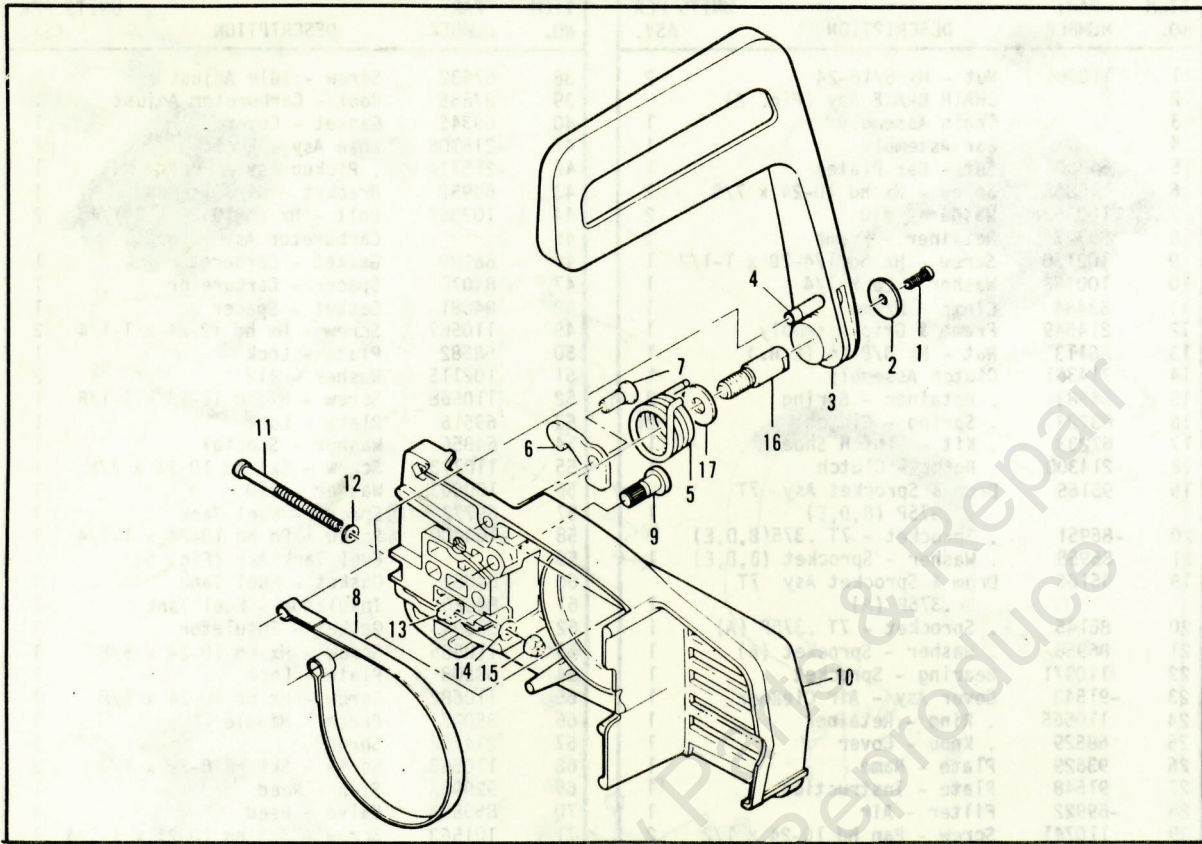


Figure 2. CHAIN BRAKE Assembly

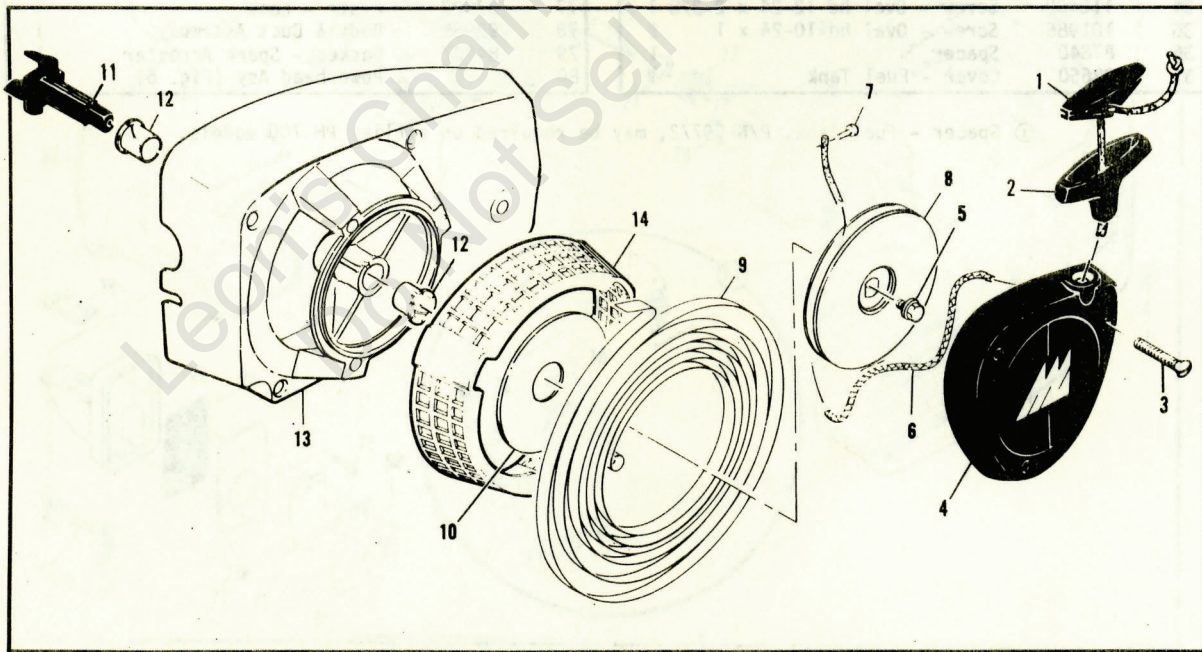


Figure 3. Fan Housing & Starter Assemblies

Figure 2. CHAIN BRAKE Assembly

ITEM NO.	PART NUMBER	DESCRIPTION	UNITS PER ASY.	ITEM NO.	PART NUMBER	DESCRIPTION	UNITS PER ASY.
	-216003	CHAIN BRAKE Assembly		9	93082	. Pin - Bank Anchor	1
1	102500	. Screw - Pn hd 10-24 x 1/2	1	10	-216056	. Housing Asy - Brake	1
2	91273	. Washer - Special	1	11	110527	. . Screw - Fil hd 10-24 x 2-3/4	1
3	-215911	. Lever Assembly	1	12	110264	. . Washer - #10	1
4	214366	. . Pin Asy - Roller	1	13	61705	. . Nut - Bar Adjusting	1
5	93085	. Spring - Brake	1	14	100002	. . Washer - #10	1
6	93083	. Latch	1	15	102067	. . Nut - Hx 10-24	1
7	93669	. Pivot - Latch	1	16	91246	. . Pin - Lever Pivot	1
8	93081	. Band - Brake	1	17	91245	. . Washer - Thrust	1

Figure 3. Fan Housing &amp; Starter Assemblies

ITEM NO.	PART NUMBER	DESCRIPTION	UNITS PER ASY.	ITEM NO.	PART NUMBER	DESCRIPTION	UNITS PER ASY.
	87667	Fan Housing & Starter Asy	1	7	110470	. Rivet - Rope	1
1	214699	. Insert - Handle	1	8	85122	. Drum - Starter	1
2	93137	. Handle - Starter	1	9	87680	. Spring - Rewind	1
3	110646	. Screw - Oval hd 8-32 x 1-1/8	3	10	86053	. Shield - Spring	1
4	-91084	. Cover - Starter	1	11	83748	. Shaft - Starter	1
5	-110928	. Screw - Hx hd 10-24 x 1/2	1	12	57535	. Bushing - Starter	1
6	68162	. Rope - Starter	1	13	87693	. Kit - Fan Housing	1
				14	-214192	. . Guard - Sawdust	1

## Service Specifications

Spark Plug Gap	.025 in (.63 mm)
*Lamination Gap	.010 to .012 in. (.25 to .30 mm)
**Lamination Gap	.011 to .015 in. (.30 to .40 mm)
*Breaker Point Gap	.019 to .020 in. (.48 to .51 mm)
Timing	26° BTDC
Clutch Engagement Speed	2800 to 3000 R.P.M.
Torques	Connecting Rod Screws: 65 to 70 pound x inches (8.5 to 9.2 N.m)
	Clutch Nut: 160 to 170 pound x inches (18 to 19 N.m)
	Flywheel Nut: 265 to 325 pound x inches (30 to 37 N.m)

\*These specifications for models with serial number prefix 11-.

\*\*These specifications for models with serial number prefix 12-.

# Pro Mac 700

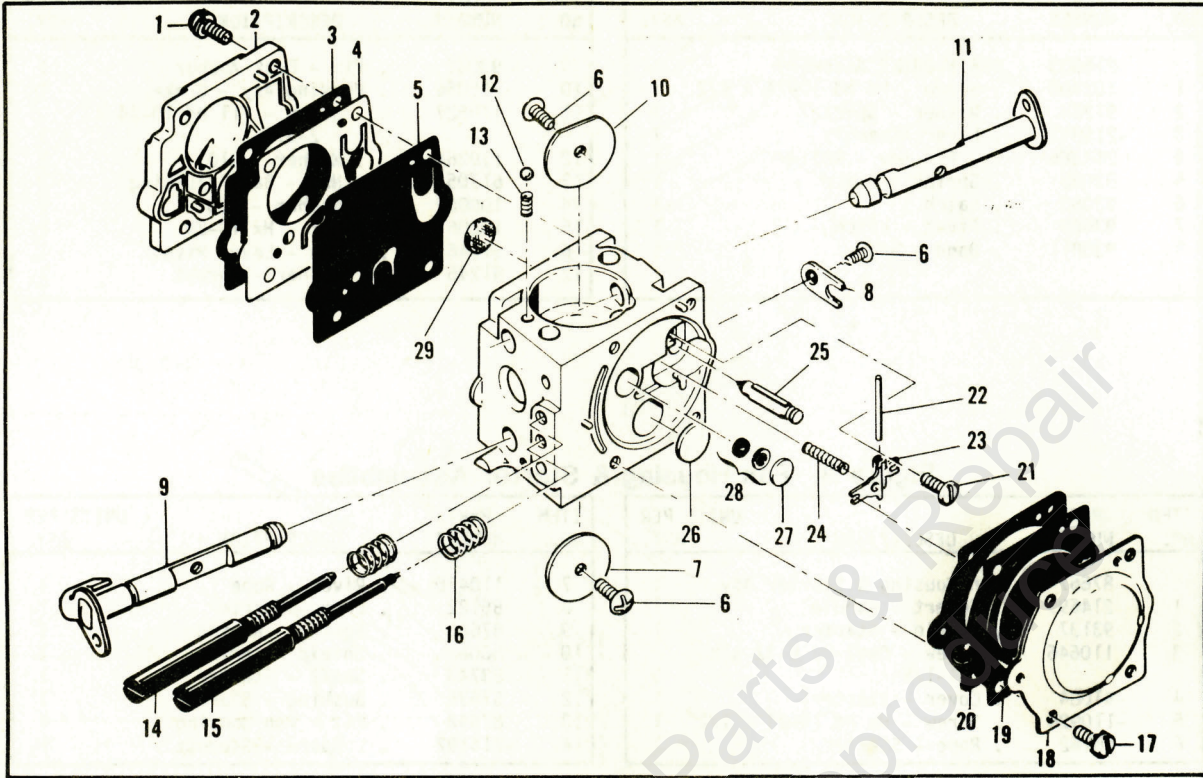


Figure 4. Carburetor Assembly

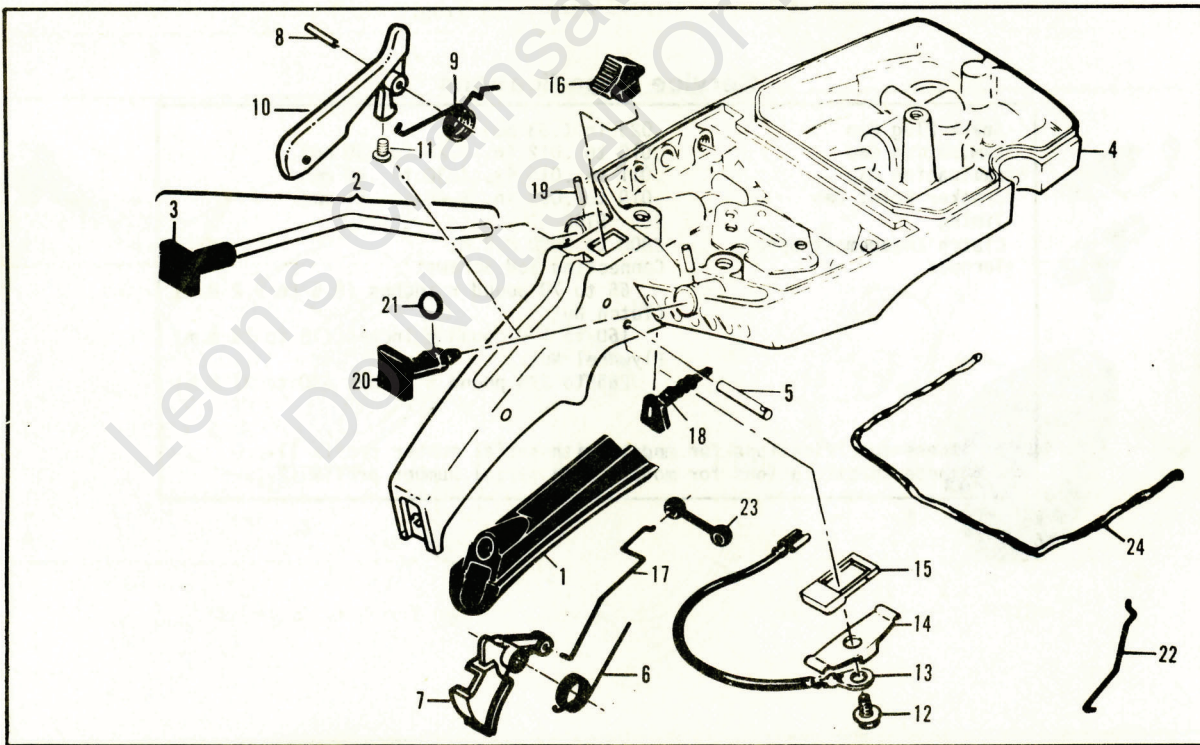


Figure 5. Fuel Tank Assembly

Figure 4. Carburetor Assembly

ITEM NO.	PART NUMBER	DESCRIPTION	UNITS PER ASY.	ITEM NO.	PART NUMBER	DESCRIPTION	UNITS PER ASY.
	87666	Carburetor Asy (Walbro)	1	15	--	① Needle - Idle	1
1	--	. Screw - Pump Cover	4	16	--	① Spring - Needle	2
2	--	. Cover - Pump	1	17	--	. Screw - Diaphragm Cover	4
3	--	①② Gasket - Cover	1	18	--	. Cover - Diaphragm	1
4	--	①② Diaphragm - Check Valve	1	19	--	②① Diaphragm - Metering	1
5	--	①② Diaphragm - Fuel Pump	1	20	--	②① Gasket - Diaphragm	1
6	--	① Screw - Plate	3	21	--	②① Screw - Lever Pin	1
7	--	. Plate - Throttle	1	22	--	②① Pin - Lever	1
8	--	. Clip - Shaft	1	23	--	②① Lever - Metering	1
9	--	. Shaft Asy - Throttle	1	24	--	②① Spring - Lever	1
10	--	. Plate - Choke	1	25	--	②① Valve - Needle	1
11	--	. Shaft Asy - Choke	1	26	--	②① Plug - 3/8	1
12	--	① Ball - Choke Friction	1	27	--	②① Plug - 5/16	1
13	--	① Spring - Choke	1	28	--	②① Kit - Valve & Seat Asy	1
14	--	① Needle - High Speed	1	29	--	②① Screen - Fuel	1

① Contained in Major Repair Kit, P/N 217080.

② Contained in Minor Repair Kit, P/N 217078.

## Accessories

PART NUMBER	DESCRIPTION	PART NUMBER	DESCRIPTION
84453	Kit - Piston Tool	91226	Wrench - Clutch Retaining
69191	Kit - Pressure Test Adaptor	86419	① Guide - Timing
-214223	Spark Plug - Standard	91967	Kit - Spike
63432	Spark Plug - Cooler	102388	. Screw - Hx hd 10-24 x 5/8
62827	Wrench/Screwdriver	24236	. Washer - Special
83235	Scrench	101191	. Nut - Hx 10-24
		92993	Baffle - Spark Arrester

① Used on models with serial number prefix 11-.

Figure 5. Fuel Tank Assembly

ITEM NO.	PART NUMBER	DESCRIPTION	UNITS PER ASY.	ITEM NO.	PART NUMBER	DESCRIPTION	UNITS PER ASY.
1	89320	Insert - Handle Grip	1	13	214692	. Wire Asy - Stop Switch	1
2	64871	Button & Rod Assembly	1	14	62451	. Control - Switch	1
3	-95615	. Button - Oiler	1	15	214691	. Base - Switch	1
4	214705	Kit - Fuel Tank/Control	1	16	68846	. Button - Switch	1
5	110378	. Pin - Roll 3/16 x 5/16	1	17	85107	Rod - Throttle	1
6	92152	. Spring - Trigger	1	18	214701	Seal - Throttle Rod	1
7	214679	. Trigger - Throttle	1	19	105673	Pin - Roll 3/32 x 9/16	2
8	105654	. Pin - Roll 1/8 x 7/8	1	20	69041	Button - Choke	1
9	92154	. Spring - Trigger Release	1	21	105614	"O" Ring	1
10	94275	. Release Asy - Trigger	1	22	69042	Rod - Choke	1
11	111012	. Screw - Pn hd 4-40 x 5/16	1	23	69043	Snubber - Rod	1
12	110706	. Screw - Pn hd 8-18 x 1/2	1	24	69564	① Seal - Airbox	1

① Furnished on 12-1/2 inch strip containing 9 beads (enough for 9 replacements).

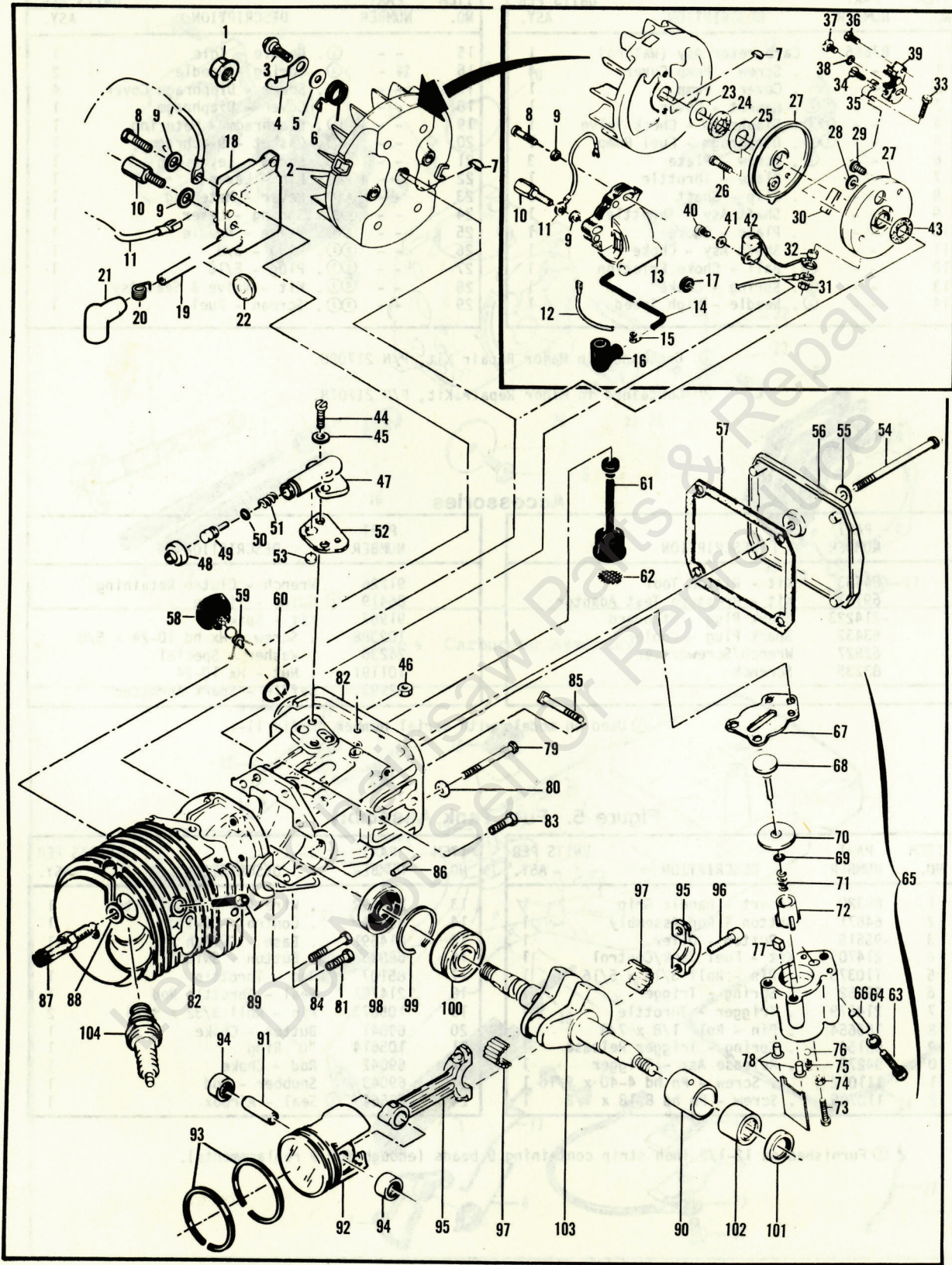


Figure 6. Powerhead Assembly

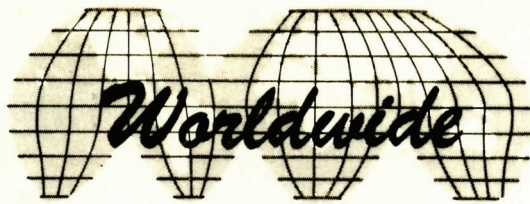


Figure 6. Powerhead Assembly

ITEM NO.	PART NUMBER	DESCRIPTION	UNITS PER ASY.	ITEM NO.	PART NUMBER	DESCRIPTION	UNITS PER ASY.
1	110703	Nut - Hx 3/8-24	1	54	110291	Screw - Pan hd 10-24 x 2-5/8	1
2	-216739	Flywheel Assembly	1	55	110921	Washer - Sealing	1
3	93464	. Screw - Pawl	2	56	86304	Cover - Oil Tank	1
4	93198	. Pawl - Starter	2	57	86306	Gasket - Cover	1
5	93469	. Washer - Pawl	2	58	-216052	Cap - Oil Tank	1
6	-214102	. Spring - Pawl	2	59	86402	. Valve - Check	1
7	100106	Key - Woodruff	1	60	101148	"O" Ring	1
8	110127	Screw-Hx hd 10-24 x 7/8(SEMS)	1	61	91672	Hose Assembly - Oil	1
9	100002	Washer - #10	2	62	51506	. Screen - Hose	1
10	83512	Stud - Special	1	63	-110890	Screw - Fil hd 10-24 x 7/8	1
11	-84686A	Wire Assembly - Ground	1	64	100003	Washer - #10	1
12 *	69344	Wire Assembly - Primary	1	65	215339	Kit - Pulse Pump	1
13 *	214535	Coil & Lamination Asy	1	66	91774	. Sleeve	1
14 *	-215351	. Wire Asy - Spark Plug	1	67	92818	. Seal - Pulse Pump	1
15 *	55061	. . Connector	1	68	214278	. Piston Assembly - Pump	1
16 *	95266	. . Boot	1	69	105603	. "O" Ring	1
17 *	100268	. Grommet	1	70	86182	. Ring - Piston	1
18	-95553	① Electronic Ignition	1	71	60259	. Spring - Piston	1
19	95269	① . Wire Asy - Spark Plug	1	72	62227	. Sleeve - Adjustment	1
20	102556	① . . Connector	1	73	110386	. Screw - Hx hd 8-32 x 1	1
21	95266	① . . Boot	1	74	100251	. Nut - Hex 8-32	1
22	110995	① . Grommet	1	75	92844	. Spring - Outlet Valve	1
23 *	67057	① Washer - Thrust	1	76	102809	. Ball	1
24 *	67056	Seal - Breaker Box Cover	1	77	91259	. Pad - Pump	1
25 *	67054	Washer - Thrust	1	78	215246	. Kit - Oil Pump Clip	1
26 *	110584	Screw - Pan hd 8-32 x 3/4	1	79	62106	Screw - Sealing	4
27 *	-91852A	Kit - Breaker Box Cover	1	80	111025	Washer - Sealing	4
28 *	91838	. Washer	1	81	110288	Screw - Hx hd 8-32 x 3/4	1
29 *	110489	. Screw - Pan hd 6-32 x 7/16	1	82	214671	Crankcase Assembly	1
30 *	54184	Wiper - Cam	1	83	110288	. Screw Asy-Hx hd 8-32 x 3/4	2
31 *	100298	Nut - Hx 6-32	1	84	110618	. Screw Asy-Hx hd 8-32x1-3/8	1
32 *	62365	Spacer - Breaker	1	85	62065	. Bolt - Bar Mounting	2
33 *	110346	Screw - Hx hd 6-32 x 3/4	1	86	110851	. Pin - Dowel	1
34 *	110706	Screw - Pan hd 8-18 x 1/2	1	87	94273	Valve - DSP	1
35 *	83126	Strap - Conduction	1	88	214765	Washer - Valve	1
36 *	110811	Screw - Pan hd 8-32 x 3/8	1	89	110681	Screw - Skt hd 10-24 x 1/4	1
37 *	110969	Screw - Hx hd 8-32 x 1/2	1	90	87152	Insert - Bearing	1
38 *	105976	Washer - #8	1	91	69020	Pin - Piston	1
39 *	88808	Breaker Assembly	1	92	85239	Piston Assembly	1
40 *	110338	Screw - Pan hd 8-32 x 1/2	1	93	89732	. Ring Set - Piston(thin)	1
41 *	100080	Washer - #8	1	94	110590	. Bearing - Needle	2
42 *	85358	Condenser	1	95	85352	Connecting Rod Assembly	1
43 *	67051	Seal - Breaker Box	1	96	61627A	. Screw - Skt hd special	2
44	110338	Screw - Pan hd 8-32 x 1/2	2	97	63225	. Roller - Needle(set of 20)	1
45	110613	Washer - #8	2	98	61618	Seal - Oil	1
46	100955	Nut - Hx 8-32	1	99	63464	Ring - Snap	1
47	84156	Housing - Pump	1	100	63429B	Bearing - Ball	1
48	-215151	Cap - Housing	1	101	110260	Seal - Oil	1
49	62266	Plunger - Pump	1	102	104357	Bearing - Needle	1
50	105614	"O" Ring	1	103	-216910	Kit - Crankshaft	1
51	66687	Spring - Pump	1	104	214223	Spark Plug (A,D)	1
52	91669	Gasket - Pump	1	104	93017	Spark Plug (B,E)	1
53	91668	Valve - Pump	1				

\*Used on models with serial number prefix 11-.

① Used on models with serial number prefix 12-.



● MANUFACTURING ● SALES ● SERVICE ●

**McCULLOCH**  
CORPORATION

P.O. Box 92180, Los Angeles, CA 90009

Copyright - McCulloch.

FOR SERVICE-RELATED PROBLEMS,  
REPAIR OR MAINTENANCE  
TAKE YOUR UNIT TO THE NEAREST  
AUTHORIZED McCULLOCH SERVICING  
DEALER LISTED IN YOUR  
TELEPHONE DIRECTORY YELLOW PAGES.

If additional assistance is required, call this toll-free hot-line:  
(800) 423-6302

Arizona residents call collect (602) 453-3681

Leon's Crafts & Repair  
Do Not