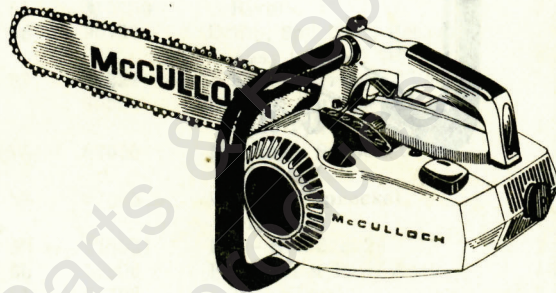


# ILLUSTRATED PARTS LIST

## Power Mac 6 Chain Saw

MANUAL MODEL NO. 600085  
AUTOMATIC MODEL NO. 600086

MODELS	SERIAL NUMBER PREFIX
600085J	14-
600086F	13-, 14-
600086J	13-
600086P	13-
600086U	13-, 14-



April 1975

The policy of McCulloch Corporation is one of continual improvement in design, manufacturing and engineering advancement wherever possible to assure still finer two-cycle power tools. Hence, specifications, equipment, colors, design and manufacturer's suggested list prices are subject to change without notice and McCulloch Corporation reserves the right to make such changes without prior notification or obligation to backfit or supply backfit components for units previously shipped from the factory.

### CONTENTS

	Page
FIGURE 1. GENERAL VIEW - EXPLODED ..	2
FIGURE 2. MANUAL OILER HOUSING ASSY .	4
FIGURE 3. AUTOMATIC OILER HOUSING ASSEMBLY.....	5
FIGURE 4. POWERHEAD ASSEMBLY .....	6
FIGURE 5. CARBURETOR .....	8
FIGURE 6. FAN HOUSING & STARTER ASSEMBLY .....	10



# Power Mac 6

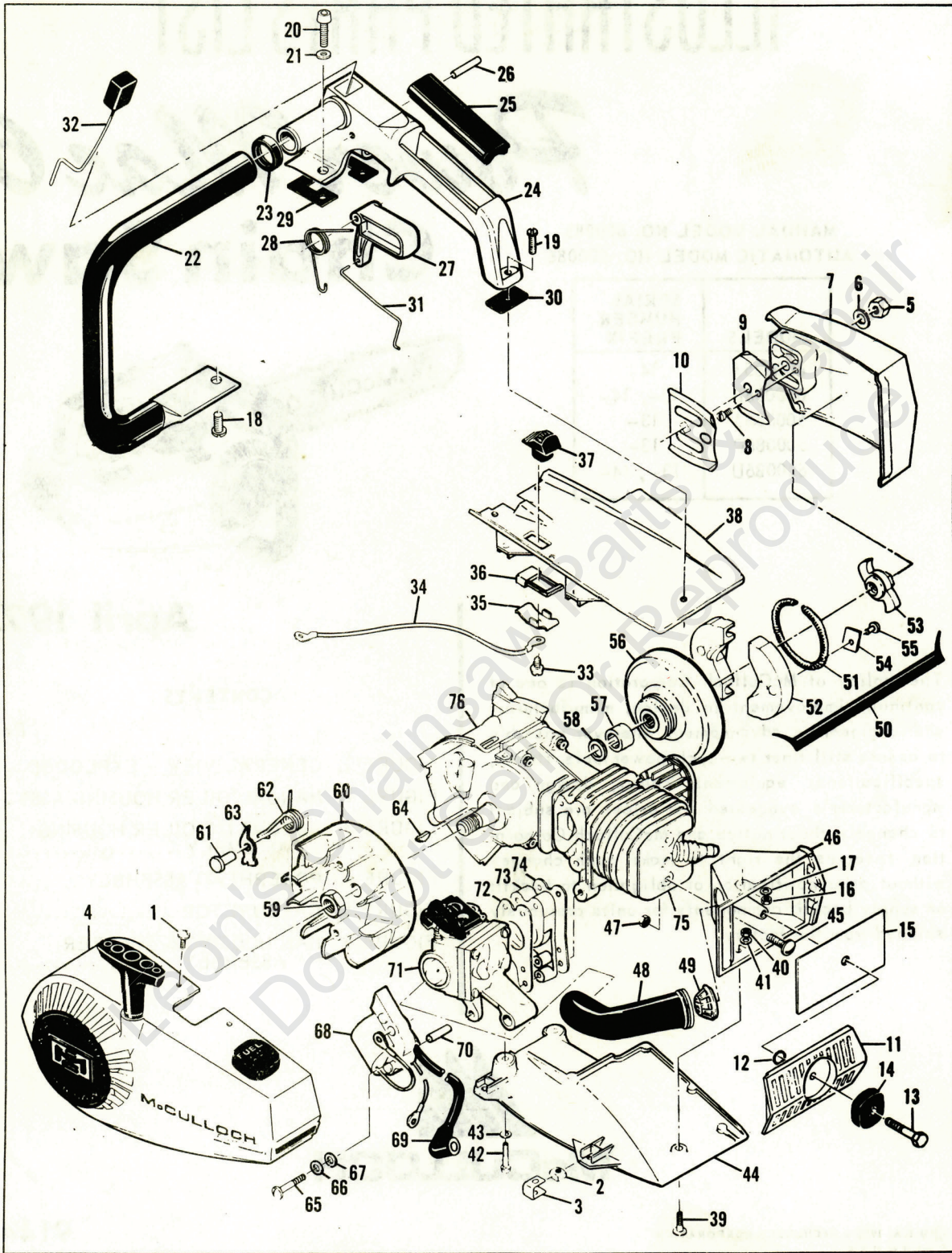


Figure 1. General View - Exploded

Figure 1. General View - Exploded

Item No.	Part Number	Description	Units Per Assy
1	110597	Screw - Pan hd 8-32 x 1/2	5
2	68963	Nut - Square 8-32	6
3	68770	Retainer - Nut	6
4		Fan Housing & Starter Assy (See Figure 6)	
5	-110676	Nut - Hex 1/4-28	1
6	100311	Washer - 1/4	1
7	69696	Guard - Clutch	1
8	110620	Screw - Fil hd 6-32 x 7/16	1
	67667	Set - Bar plate	1
9	68673	. Plate - Bar outer	1
10	67588	. Plate - Bar inner	1
11	69006	Cover - Air cleaner	1
12	105603	"O" Ring	1
13	69202	Screw - Cover	1
14	68616	Knob - Cover	1
15	68685	Screen - Air cleaner	1
16	100955	Nut - Hex 8-32	1
17	100080	Washer - #8	1
18	110670	Screw - Pan hd 8-32 x 5/8	1
19	110720	Screw - Pan hd 8-32 x 7/8	1
20	110585	Screw - Skt hd 10-24 x 3/4	2
21	110264	Washer - #10	2
22	85465	Frame & Grip Assy	1
23	84061	Collar - Frame	1
24	85577	Handle Assy	1
25	-91365	. Grip - Handle	1
26	105654	. Pin - Trigger	1
27	84063	. Trigger	1
28	84255	. Spring - Trigger	1
29	84239	Insulator - Forward	1
30	84240	Insulator - Rear	1
31	84256	Rod - Throttle	1
32	84228	Button & Rod Assy	1
33	-110706	Screw - Pan hd 8-18 x 1/2	1
34	88435	Wire Assy - Stop switch	1
35	62451	Contact - Switch	1
36	62950A	Base - Switch	1
37	68846	Button - Switch	1
38	69009	Shroud - Top	1
39	110584	Screw - Pan hd 8-32 x 3/4	1
40	100955	Nut - Hex 8-32	1
41	100080	Washer - #8	1

Item No.	Part Number	Description	Units Per Assy
42	110714	Screw - Skt hd 10-24 x 3/4	2
43	110264	Washer - #10	2
44	69010	Shroud - Bottom	1
45	110584	Screw - Pan hd 8-32 x 3/4	2
46	87900	Housing - Air cleaner	1
47	100955	Nut - Hex 8-32	2
48	67195	Duct - Air	1
49	68623	Shield - Duct	1
50	-91049	Clutch Assy	1
51	69358	. Spring	1
52	91050	. Shoe	2
53	-85449	. Spider	1
54	-85064	. Plate - Clutch shoe	2
55	-110709	. Rivet	2
56	-90150	Drum, Sprocket, Bearing Assy (.375 P) (U)	1
57	-91222	. Kit - Bearing (.375) (U)	1
	85504	Drum & Sprocket Assy (.250 P) (F)	1
(57)	67650	Bearing - Sprocket (.250) (F)	1
58	67303	Washer - Sprocket (.250) (F)	1
59	-110931	Nut - Hex 3/8-24	1
60	69806	Flywheel & Pawl Assy	1
61	68796	. Pin - Pawl	2
62	67814	. Spring - Pawl	2
63	69103	. Pawl	2
64	103879	Key - Woodruff	1
65	110586	Screw - Pan hd 8-32 x 1-3/4	3
66	100080	Washer - #8	3
67	67177	Washer - Insulator	3
68	84957	Coil & Lamination	1
69	69966	. Wire Assy - Spark plug	1
70	68198	Tube - Insulating	3
71		Carburetor (See Figure 5)	
72	68197	Gasket - Carburetor	1
73	-90713	Insulator - Carburetor	1
74	-90714	Gasket - Insulator	1
75		Powerhead Assy (See Figure 4)	
76		Oilier Housing Assy - Manual (See Figure 2)	
		Oilier Housing Assy - Automatic (See Figure 3)	

Part numbers which have changed since the previous printing of the illustrated parts list covering these saws, are indicated by a dash (-) preceding the new part number.

# Power Mac 6

Figure 2. Manual Oiler Housing Assembly

Item No.	Part Number	Description	Units Per Assy
1	68809	Cap - Oil	1
2	84953	. Plug - Cap	1
3	101148	"O" Ring	1
4	105248	Screw - Rd hd 8-32 x 5/8 (SEMS)	2
5	62262	Cap - Oil pump	1
6	68603	Plunger - Oil pump	1
7	105614	"O" Ring	1
8	66687	Spring - Plunger	1
9	68604	Body - Oil pump	1
10	62909	Valve - Oiler	1
11	68688	Diaphragm - Oil pump	1
12	67565	Spring - Diaphragm	1

Item No.	Part Number	Description	Units Per Assy
13	84230	Tank Assy - Oil	1
14	110587	. Screw - Fil hd 8-32 x 1-1/2	1
15	100955	. Nut - Hex 8-32	1
16	110525	. Washer - Wavy	1
17	84929	. Nut - Adjustment	1
18	100080	. Washer - #8	1
19	68687	. Bolt - Bar	1
20	68140	Pickup Assy - Oil	1
21	67552	. Screen	1
22	67569	. Weight	1
23	67568	. Hose	1

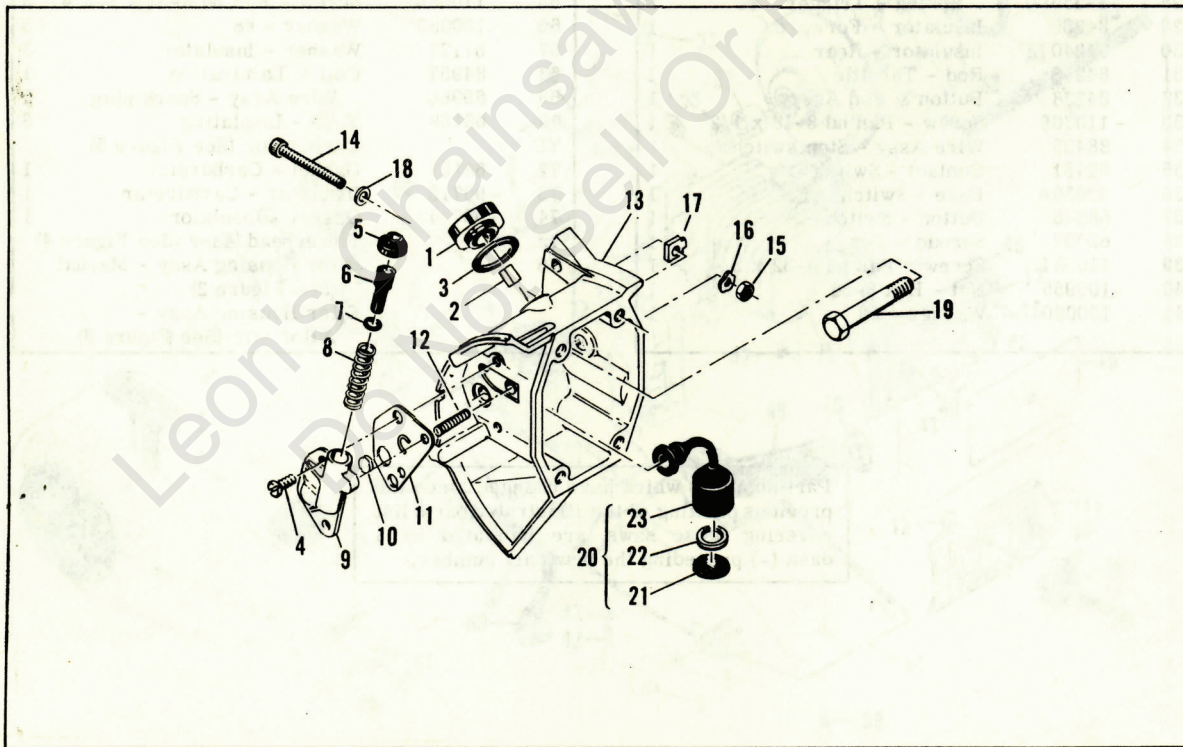


Figure 2. Manual Oiler Housing Assembly

Figure 3. Automatic Oiler Housing Assembly

Item No.	Part Number	Description	Units Per Assy
1	68809	Cap - Oil	1
2	84953	. Plug - Cap	1
3	101148	"O" Ring	1
4	83591	Cylinder Assy - Oil pump	1
5	105603	"O" Ring	1
6	105614	"O" Ring	2
7	105248	Screw - Rd hd 8-32 x 5/8 (SEMS)	2
8	-100080	Washer #8	1
9	62262	Cap - Oil pump	1
10	68603	Plunger - Oil pump	1
11	105614	"O" Ring	1
12	66687	Spring - Plunger	1
13	83189	Body - Oil pump	1
14	83187	Gasket - Oil pump	1
15	62909	Valve - Oiler	1
16	85467	Tank Assy - Oil	1
17	110587	. Screw - Fil hd 8-32 x 1-1/2	1
18	100955	. Nut - Hex 8-32	1
19	110525	. Washer - Wavey	1
20	84929	. Nut - Adjustment	1
21	100080	. Washer - #8	1
22	68687	. Bolt - Bar	1
23	68140	Pickup Assy - Oil	1
24	67552	. Screen	1
25	67569	. Weight	1
26	67568	. Hose	1
27	105248	Screw - Rd hd 8-32 x 5/8 (SEMS)	2
28	83186	Cover - Oil pump	1
29	83185	Gasket - Cover	1
30	105603	"O" Ring	1
31	83184	Ring - Oiler piston	1
32	83181	Piston Assy - Oiler	1
33	83180	Spring - Oiler piston	1

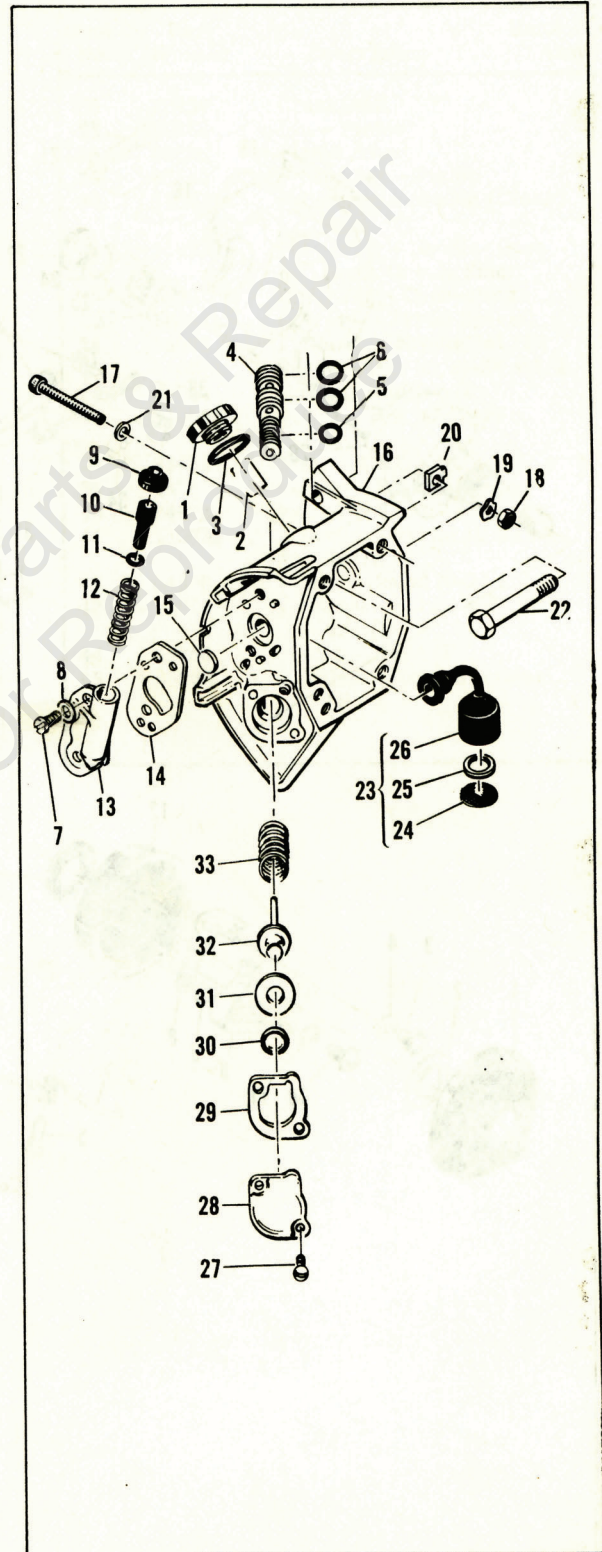


Figure 3. Automatic Oiler Housing Assembly

# Power Mac 6

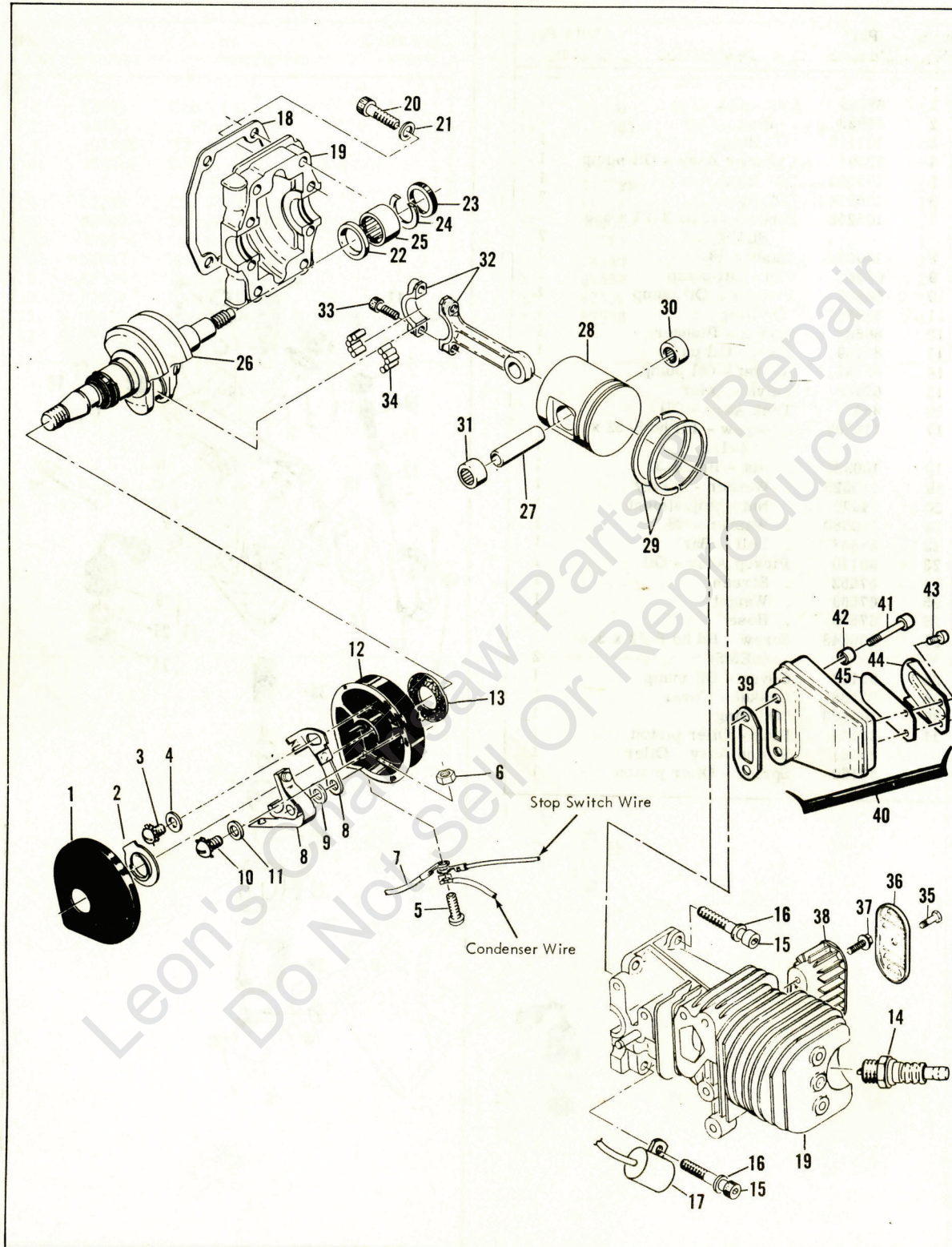


Figure 4. Powerhead Assembly

Figure 4. Powerhead Assembly

Item No.	Part Number	Description	Units Per Assy
1	67841	Cover - Breaker box	1
2	69323	Seal - Outer	1
3	110597	Screw - Pan hd 8-32 x 1/2 (SEMS)	1
4	69322	Washer - #8	1
5	110364	Screw - Pan hd 6-32 x 5/8	1
6	100035	Nut - Hex 6-32	1
7	69344	Wire Assy - Primary	1
8	-88810	Breaker Assy	1
9	68630	Washer - Breaker	1
10	105248	Screw - Rd hd 8-32 x 5/8 (SEMS)	1
11	100080	Washer - #8	1
12	67840	Box - Breaker	1
13	68525	Seal - Breaker box	1
14	63097	Spark Plug	1
15	110523	Screw - Skt hd 8-32 x 1-1/4	4
16	110613	Washer - #8	4
17	85358	Condenser	1
18	83088	Gasket - Oil tank	1
19	83454	Crankcase Assy	1
20	110522	Screw - Skt hd 8-32 x 7/8	4
21	110613	Washer - #8	4
22	68513	Plate - Thrust	2
23	67175	Seal - Oil	2
24	110547	Ring - Retaining	2
25	66854	Bearing - Crankshaft	2

Item No.	Part Number	Description	Units Per Assy
26	86439	Crankshaft	1
27	66867	Pin - Piston	1
28	68098	Piston Assy	1
29	87165	. Ring Set - Piston	1
30	110538	. Bearing - Needle (Closed End)	1
31	-110930	. Bearing - Needle (Open End) (Intake Side)	1
32	68097	Rod Assy - Connecting	1
33	66853	. Screw - Skt hd Special	2
34	68095	. Roller - Needle Set (20)	1
35	110674	Screw - Hex hd 10-24 x 1/2	1
36	89684	Cover - Muffler (U	1
37	-110928	Screw - Hex hd 10-24 x 1/2 (U	2
38	89682	Body - Muffler (U	1
39	68747	Gasket - Spark arrester	1
40	84922	Kit - Reed muffler (F	1
41	110692	. Screw - Skt hd 10-24 x 1-3/8 (F	2
42	84950	. Nut - Round 10-24 ( F	2
43	-110563	. Screw - Skt hd 8-32 x 1/4 (F	2
44	-84780	. Stop - Reed (F	1
45	-85258	. Valve - Spark arrester (F	1

Leon's Chainsaw Parts Or Repairs  
Do Not Sell

Figure 4. Lowerhead Assembly

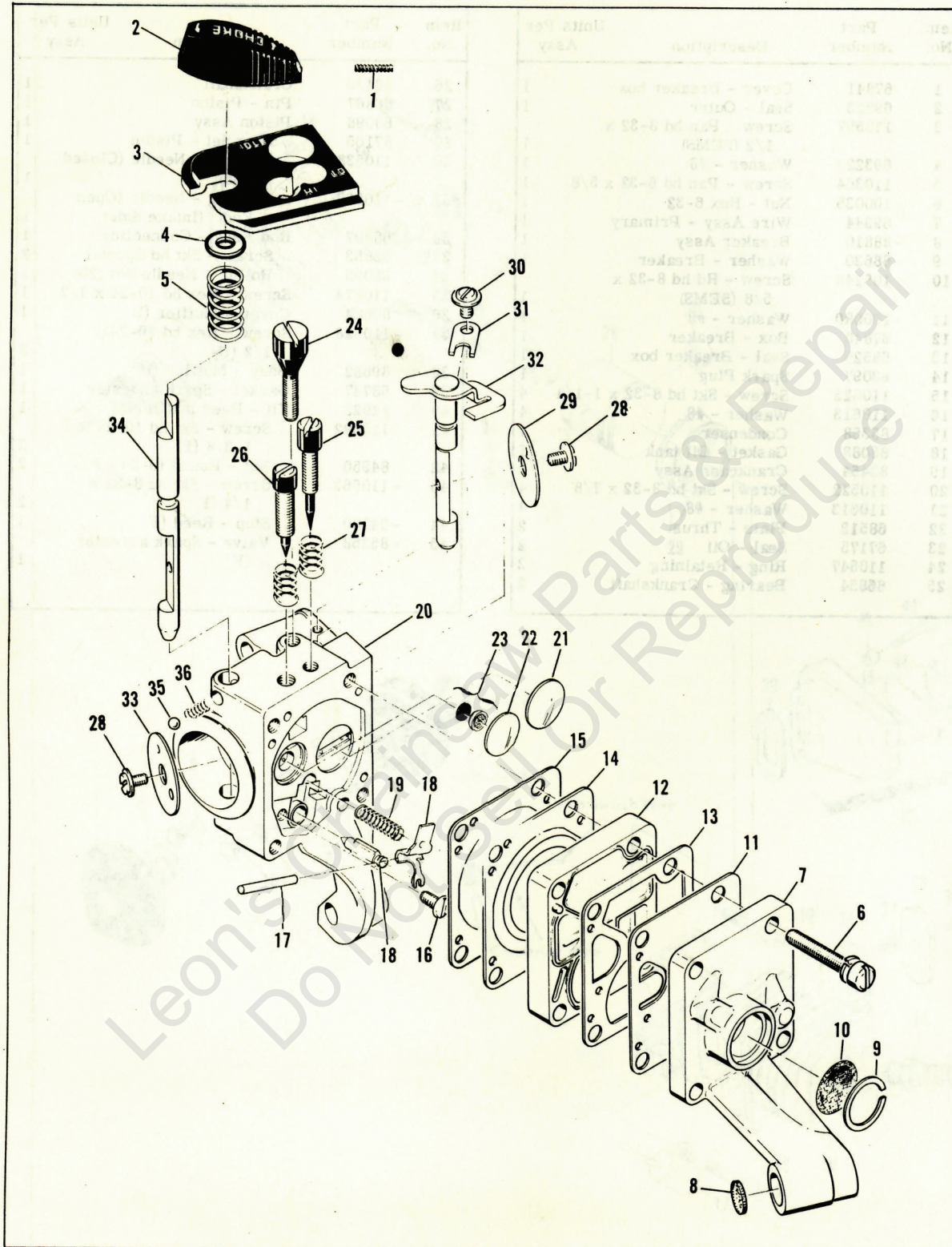


Figure 5. Carburetor



Figure 5. Carburetor Assembly

Item No.	Part Number	Description	Units Per Assy
1	110554	Screw - Set 4-40 x 1/2	1
2	68659	Knob - Choke	1
3	68814	Plate - Adjustment cover	1
4	-110264	Washer	1
5	11086	Spring - Plate	1
	-90447	Carburetor Assy	1
6	* 68564	. Screw Assy - Body	4
7	68879	. Cover Assy - Pump	1
8	* 68570	. . Screen - Inlet	1
9	68883	. . Retainer - Vent screen	1
10	* 68571	. . Screen - Vent	1
11	* 68563	. Diaphragm - Pump	1
12	-90444	. Kit - Body & Gasket	1
13	-85035	. . Gasket	1
14	* 68562	. Diaphragm	1
15	68881	. Gasket - Diaphragm	1
16	* 67500	. Screw - Lever pin	1
17	* 67508	. Pin - Lever	1
18	-85059	. Kit - Needle & Lever	1

Item No.	Part Number	Description	Units Per Assy
19	* 68567	. Spring - Lever	1
20	83751	. Body Assy - Carburetor	1
21	* 68560	. . Plug - 1/2	1
22	* 68559	. . Plug - 7/16	1
23	*-83758	. . Kit - Check valve	1
24	* 68566	. Screw - Idle speed	1
25	* 86446	. Needle - Idle	1
26	* 86447	. Needle - High speed	1
27	* 67502	. Spring - Needle	2
28	* 83755	. Screw - Plate	2
29	68553	. Plate - Throttle	1
30	* 70798	. Screw - Clip	1
31	* 68554	. Clip - Throttle shaft	1
32	-90470	. Throttle Shaft Assy	1
33	68556	. Plate - Choke shaft	1
34	-84990	. Choke Shaft	1
35	* 100302	. Ball - Choke friction	1
36	* 67504	. Spring - Choke friction	1
	* 68882	Gasket Set	
	-90409	Repair Kit	

Leon's Chainsaw Parts  
Do Not Sell Or Repair

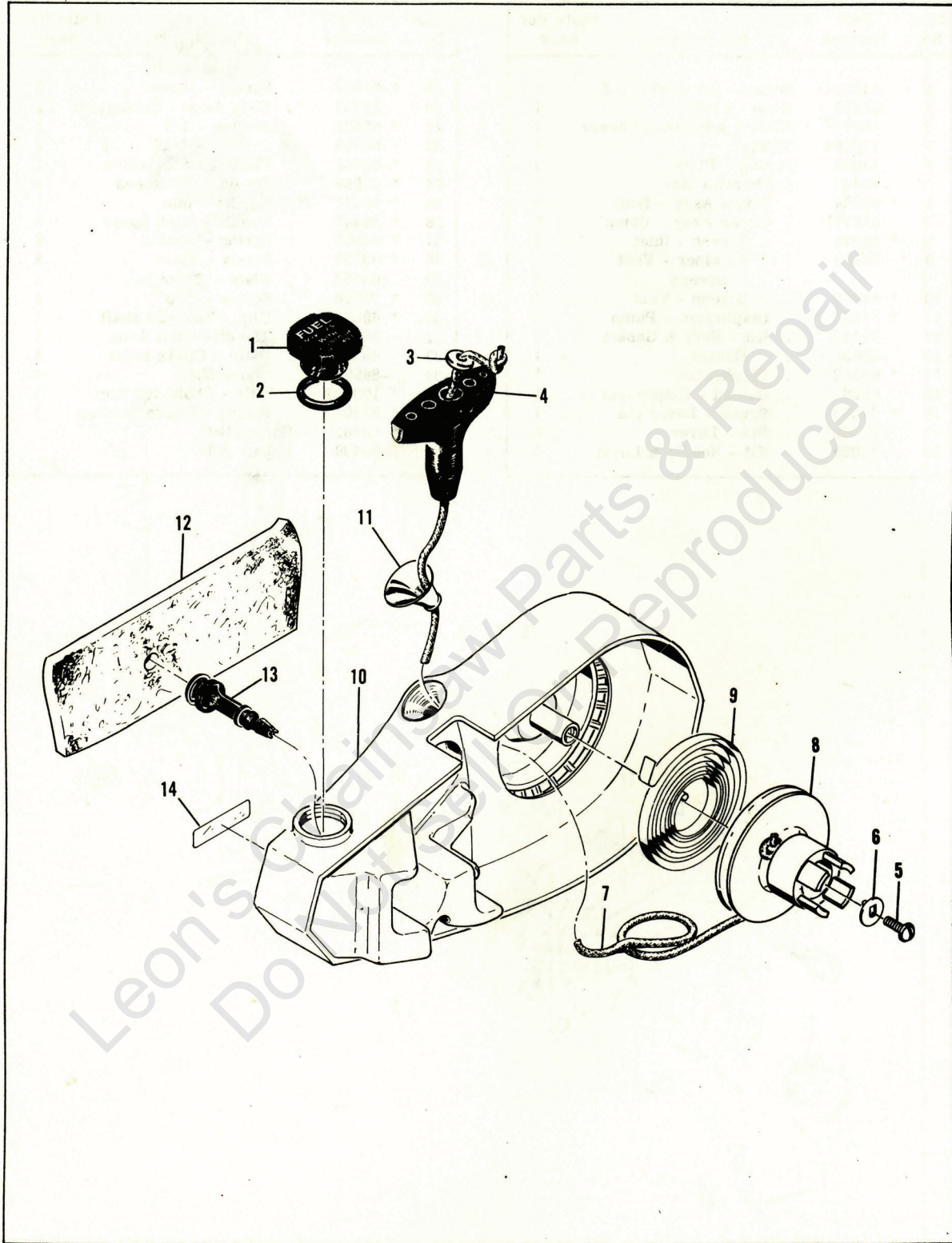


Figure 6. Fan Housing and Starter Assembly

# Power Mac 6

Figure 6. Fan Housing & Starter Assembly

Item No.	Part Number	Description	Units Per Assy
1	68813	Cap Assy - Fuel	1
2	101148	. "O" Ring	1
	83167	Fan Housing & Starter Assy	1
3	-105490	. Washer	1
4	87851	. Handle - Starter	1
5	105248	. Screw - Rd hd 8-32 x 5/8 (SEMS)	1
6	68497	. Washer - Tang	

Item No.	Part Number	Description	Units Per Assy
7	83203	. Rope	1
8	83080	. Drum - Starter	1
9	83078	. Spring - Rewind	1
10	83201	. Housing Assy	1
11	67571	. . Guide - Rope	1
12	67582	. . Felt - Fuel	1
13	67581	. . Fitting - Fuel	1
14	90682	Nameplate	1

## Accessories

Part Number	Description
83577	Owners Manual
67680	Pkg - File depth gauge (0.025 - 0.030)
67688	Pkg - File depth gauge (0.025 - 0.020)
68915	Kit - Piston tool
83124	Guard - Bar
84338	Rope - 100 ft reel
83323	Shop Manual
88756	Kit - Combination wrench (PM 6A F, J, P)

Part Number	Description
85687	Wrench (PM 6A J)(U)
90257	Tune-Up Kit
89685	Screen - Spark arrester (std. muffler)
68768	Kit - Louver muffler
84992	Kit - Reed muffler
*90550	Bar - 14" Spkt. nose (std.)
*90643N	Chain - 14" bar, MP 370G (std.)
91051	Kit - Spike
*90771	Bar - 14" MAC 6 (F)
*88034N	Chain - 14" SM 250 (F)

\* For optional cutting attachments, see Chain, Bar, Sprocket and Accessories Catalogs

**McCULLOCH**



● MANUFACTURING ● SALES ● SERVICE ●

**McCULLOCH CORPORATION**

P.O. BOX 92180, LOS ANGELES, CALIFORNIA 90009

**INTERNATIONAL DIVISIONS:**

LOS ANGELES, CALIFORNIA, P.O. BOX 92181  
SINGAPORE, GOLDHILL PLAZA, SINGAPORE II  
SAO PAULO, BRAZIL, CAIXA POSTAL 21-492

**McCULLOCH OF CANADA LTD.**

6338 VISCOUNT ROAD, MALTON, ONTARIO L4V 1H4, CANADA

**McCULLOCH OF EUROPE, N. V.**

GEERDEGEM SCHONENBERG, 299 2800 MECHELEN, BELGIUM

**McCULLOCH OF AUSTRALIA PTY., LTD.**

P.O. BOX 223, SEVEN HILLS, N.S.W. 2147, AUSTRALIA

Leon's Chassis Parts Repair  
Do Not Sell Or Reproduce