

ILLUSTRATED PARTS LIST

MODELS	SERIAL NUMBER PREFIX	MODELS	SERIAL NUMBER PREFIX
600141B	11-	600141F	11-
600141D	11-	600141H	11-

McCulloch chain saws are identified by a model number (in this instance, 600141) followed by a suffix letter (A, B, C, etc.) stamped on the identification plate attached to the saw. Suffix letters denote variations in parts or assemblies in the manufacture of the saw.

Part numbers listed in this I.P.L. which have a suffix letter or letters following the description, indicate the part is used only on the model(s) identified by the letter or letters.

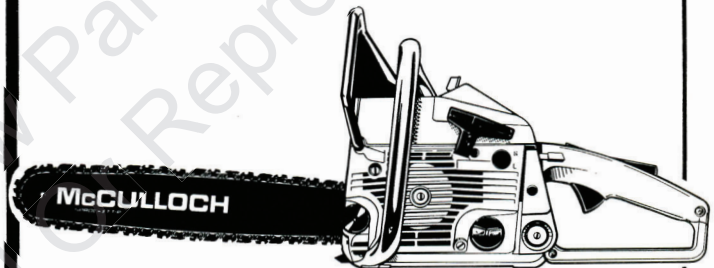
Part numbers and descriptions without suffix letter or letters apply to all versions of the chain saw model.

Part numbers which have one or more dots (.) preceding their descriptions may be ordered individually, but they are also included in the kit or assembly whose description begins directly above the dot(s).

Part numbers in this IPL which were not in the previous IPL covering these saws, are indicated by a dash (-) preceding the new part number.

The policy of McCulloch Corporation is one of continual improvement in design, manufacturing and engineering advancement wherever possible to assure still finer two-cycle power tools. Hence, specifications, equipment, colors, design and manufacturer's suggested list prices are subject to change without notice and McCulloch Corporation reserves the right to make such changes without prior notification or obligation to backfit or supply backfit components for units previously shipped from the factory.

POWER MAC™ 380 380AS CHAIN SAW



January 1985



McCULLOCH
CORPORATION

GENERAL ASSEMBLY

ITEM NO.	PART NUMBER	DESCRIPTION	UNITS PER ASY.
1	235217	Bar Retaining Nut - M6	1
2	235620	Spike	1
3	214234 ①	Guide Bar - 12 Inches	1
3	214235 ①	Guide Bar - 14 Inches	1
3	214236 ①②	Guide Bar - 16 Inches	1
4	218095N ①	Saw Chain - 12 Inches	1
4	218096N ①	Saw Chain - 14 Inches	1
4	218097N ①	Saw Chain - 16 Inches	1
4	218098N ②	Saw Chain - 16 Inches	1
5	235207	Screw - M5 x 14	2
6	235377	Starter Assembly	1
7	235430	. Screw	1
8	235048	. Starter - Washer	2
9	235431	. Nut	1
10	235372	. Drum/Rope Assembly	1
11	83203	. . Starter Rope	1
12	235371	. Spring - Rewind	1
13	235043	. Starter Handle	1
14	235643	Fan Baffle	1
15	235032	Cover - Air Filter	1
16	235030	Knob - Filter Cover	1
17	235526	Air Filter	1
18	235216	Nut - M5	1
19	235163	Washer - Air Filter	1
20	235225	Washer - Wavy	1
21	235020	Plate - Choke	1
22	235187	Kit - Choke Knob	1
23	235033	Bushing - Choke	1
24	-235707	Grommet - Air Filter	1
25	235216	Nut - M6	1
26	235189	Kit - Manual Oil Lever	1
27	-235281	. Clip - Lever Retaining	1
28	235193	. Rod - Manual Oiler	1
29	235207	Top Cover Screw - M5 x 4	1
30	235028	Top Cover - Engine	1
31	235697 ③	Gasket - Foam	1
32	235216	Carburetor Bolt Nut - M5	2
33	235029	Bolt - Carburetor (Left)	1
34	235183	Bolt - Carburetor (Right)	1
35	235234 ③	Gasket - Carburetor Cover	1
36	235522	Guide - Screwdriver	1
37	235449	Carburetor Assembly	1
38	235016 ③	Gasket - Carburetor	1
39	235120	Valve - Reed	1
40	235015 ③	Gasket - Reed	1
41	235370	Kit - Carburetor Repair	1
42	235254	. Diaphragm - Metering	1
43	-- --	. Gasket - Diaphragm	1
44	-- --	. Lever - Inlet Control	1
45	-- --	. Needle - Inlet	1
46	-- --	. Welch Plug & Strainer	1
47	-- --	. Gasket - Fuel Pump	1
48	-- --	. Diaphragm - Fuel Pump	1
49	235261	Handle - Front	1
50	235210	Screw - Std. Hd. M5 x 25	1
51	235248	Washer - M5	1
52	235216	Nut - Hex Head M5	1
53	235244	Screw - Std. Hd. M5 x 45	1
54	235248	Washer	1
55	235642	Nut - Hex Head M5	1
56	235106	Bushing	1
57	235105	Shock Mount - Rubber	1
58	235107	Washer	1
59	235239	Screw - Std. Hd. M5 x 20	1
60	235248	Washer	1

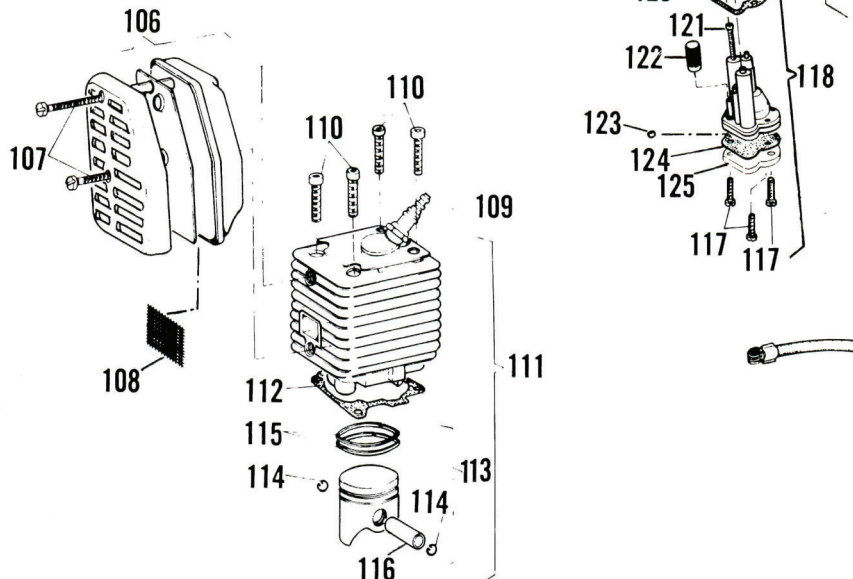
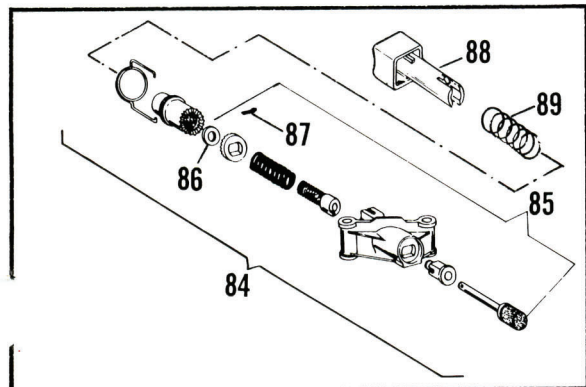
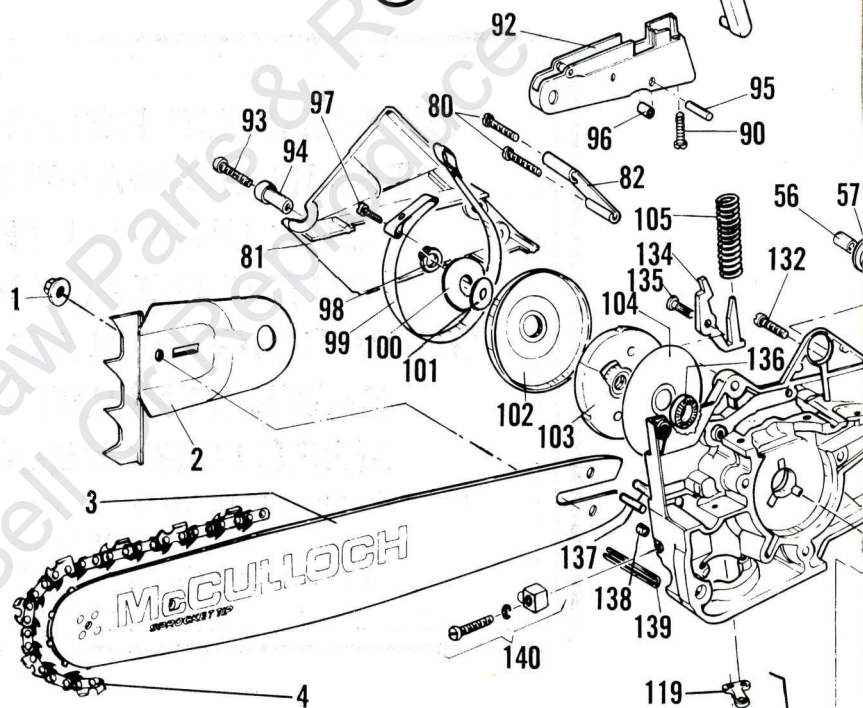
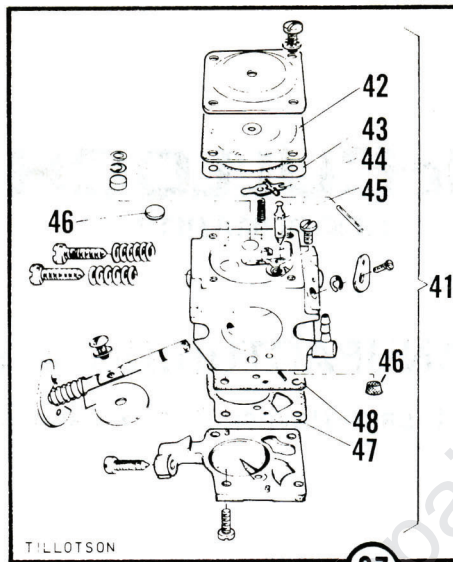
ITEM NO.	PART NUMBER	DESCRIPTION	UNITS PER ASY.
61	235642	Nut - Hex Head M5	1
62	235106	Bushing	1
63	235105	Shock Mount - Rubber	1
64	235107	Washer	1
		REAR HANDLE ASSEMBLY	
65	235210	Screw - Std. Hd. M5 x 25	1
66	235107	Washer	1
67	235105	Shock Mount - Rubber	1
68	235106	Bushing	1
69	235210	Screw - Std. Hd. M5 x 25	1
70	235107	Washer	1
71	235105	Shock Mount - Rubber	1
72	235106	Bushing	1
73	235205	Screw - Std. Hd.	4
74	235482	Kit - Rear Handle	1
75	235519	. Safety Trigger	1
76	235104	. Spring	1
77	235521	. Throttle Trigger	1
78	235022	Rod - Throttle Trigger	1
79	235281	Retainer - Throttle Rod	1
80	235212	Screw - Clutch Cover M5 x 35	2
81	235427	Cover - Clutch	1
82	235155 ①	Spacer	1
83	235170 ①	Plug	1
84	235153 ②	AUTO SHARP Assembly	1
85	-218218 ②	. Wheel Assembly - Grinding	1
86	-- -- ②	. . Washer	1
87	-- -- ②	. . Cotter Pin	1
88	235114 ②	. AUTO SHARP Knob	1
89	235121 ②	. Spring	1
90	235205	Screw - Brake Box	1
91	235653	Lever - CHAIN BRAKE	1
92	235177	Brake Box	1
93	235530	Screw - Skt. Hd. M6 x 35	1
94	235512	Brake Bushing	1
95	235226	Pivot - Brake Band	1
96	214368	Bearing - Roller	1
97	-235812	Screw - Brake Band	1
98	235224	Ring - Seeger	1
99	235073	Brake Band	1
100	235287	Washer - Clutch	1
101	-235164	Washer	1
102	-215252	Drum/Sprocket Assembly	1
103	235115	Clutch	1
104	235701	Sawdust Shield	1
105	235076	Spring - Brake Latch	1
106	235669	Muffler Assembly	1
107	235213	. Screw - M5 x 50	2
108	235665	. Spark Arrester Screen	1
109	214223	Spark Plug	1
110	235214	Cylinder Screw - M6 x 20	4
111	235479	Kit - Cylinder	1
112	235135	. Gasket - Cylinder	1
113	235478	. Piston Assembly	1
114	235008	. . Ring - Snap	2
115	235178	. . Ring - Piston	2
116	-235007	. . Wrist Pin	1
117	-235801	Screw - M4 x 16 TCE	3
118	235513	Kit - Oil Pump	1
119	235159 ③	. Gasket - Oil Pump	1
120	235051 ③	. Gasket - Oil Pump	1
121	-235173	Screw - Oil Flow Adjustment	1
122	235438	Screen - Oil Filter	1
123	-235186	Check Ball - Oil Pump	1
124	-- -- ③	Gasket - Oil Pump	1

ITEM NO.	PART NUMBER	DESCRIPTION	UNITS PER ASY.
125	-- --	Cover - Oiler Body	1
126	235138	Flywheel/Pawl Assembly	1
127	235516	. Pin - Pawl	2
128	235517	. Pawl - Starter	2
129	235518	. Spring - Pawl	2
130	235218	Nut - M8	1
131	235215	Screw - M6 x 90 (Crankcase)	1
132	235211	Screw - M5 x 30 (Crankcase)	6
133	235726	Kit - Crankcase	1
134	94006	. Brake Latch	1
135	235075	. Latch - Pivot	1
136	235229	. Seal	2
137	235424	. Pin - Guide Bar	2
138	235641	. Oil Vent	1
139	235222	Chain Catcher	1
140	235574	Kit - Chain Tension Adjusting	1
141	-- --	③ Gasket - Crankcase	1
142	235672	Support - Rubber	1
143	-- --	③ Gasket - Crankcase	1
144	235190	Bushing	1
145	235221	Pin	1
146	235230	Bearing - Ball	2
147	- 235765	Kit - Crankshaft	1
148	-- --	. Connecting Rod	1
149	235762	. Bearing - Needle	1
150	- 102164	Key - Woodruff	1
151	235674	Support	1
152	235670	Protective Shield - Fuel Tank	1
153	235729	Fuel Tank Assembly	1
154	- 235861	. Fuel Tank Neck	1
155	- 235510	. "O" Ring	1
156	235436	Kit - ON/OFF Knob	1
157	235239	Screw - Ignition Bracket	2
158	235429	Bracket - Ignition	1
159	235368	Contact - Ignition	1
160	235034	Electronic Ignition System	1
161	235238	. High Tension Wire	1
162	235675	Grommet - Fuel Tank	1
163	93720	Filter - Fuel Tank	1
164	- 235673	Screw - Fuel Line Vent	1
165	235713	Fuel Hose	1
166	- 235741	Valve - Fuel Line Vent	1
167	- 235758	Fuel Line Vent Assembly	1
168	235788	Fuel Cap	1
169	235510	③ . "O" Ring	1
170	235789	Oil Cap	1
171	235061	③ . Gasket - Oil Cap	1

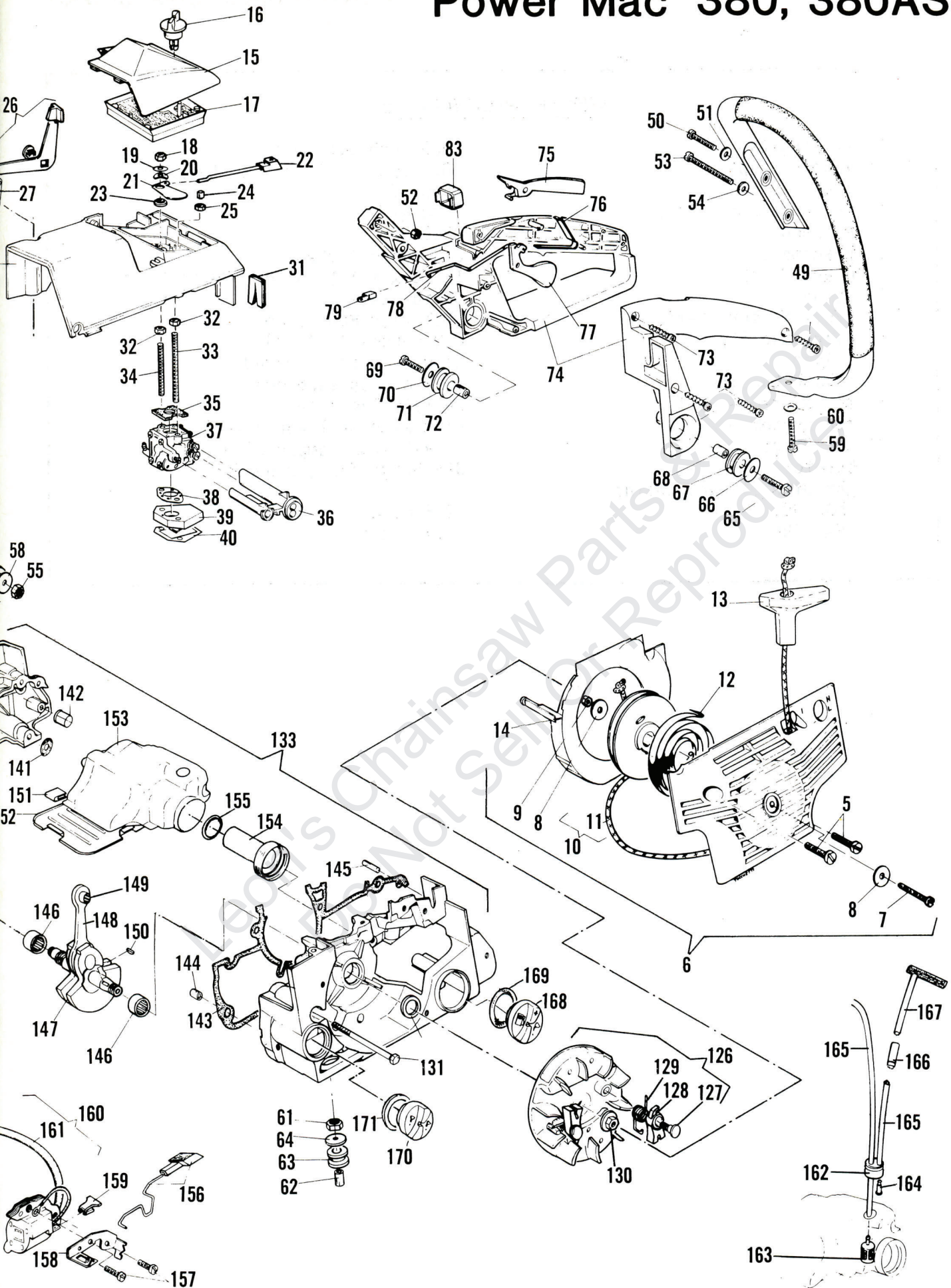
① Used on Pm 380 only.

② Used on PM 380AS model only.

③ Contained in Crankcase Gasket Kit, P/N 235796.



Power Mac™ 380, 380AS

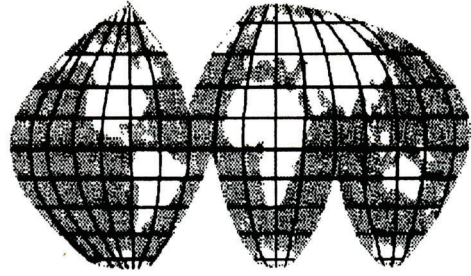


SERVICE SPECIFICATIONS

Spark Plug Gap	.025 inch (.63 mm)
Lamination Gap	.010 to .012 inch (.25 to .30 mm)
Timing	26 BTDC
Clutch Engagement Speed	3500 RPM
Idle Speed	2800 RPM
Displacement	2.3 cubic inches
Bore and Stroke	1.575 x 1.181 inches (39 to 30 mm)
Ignition	Solid State
Fuel/Oil Mixture Ratio	40:1 with McCulloch Oil
Oil Tank Capacity	6.8 ounces (204 cc)
Fuel Type	Regular grade, leaded
Fuel Tank Capacity	15.2 ounces (456 cc)
Filter System - Fuel	Felt/Replaceable
Filter System - Air	Felt with Seal/Replaceable
Piston Rings	2 Cast Iron Compression
Carburetor	Diaphragm Type, 2 needle
Weight with bar and chain:	
PRO MAC 380	12.6 pounds
PRO MAC 380 AS	12.7 pounds



McCULLOCH
CORPORATION



● **MANUFACTURING** ● **SALES** ● **SERVICE** ●

900 Lake Havasu Ave. ● Lake Havasu City, AZ 86403-2891

**FOR SERVICE-RELATED PROBLEMS,
REPAIR OR MAINTENANCE TAKE
YOUR UNIT TO THE NEAREST
AUTHORIZED McCULLOCH
SERVICING DEALER LISTED UNDER
SAWS IN YOUR TELEPHONE
DIRECTORY YELLOW PAGES.**

If additional assistance is required, call this toll-free hot-line:

(800) 423-6302

Arizona residents call collect (602) 453-3681