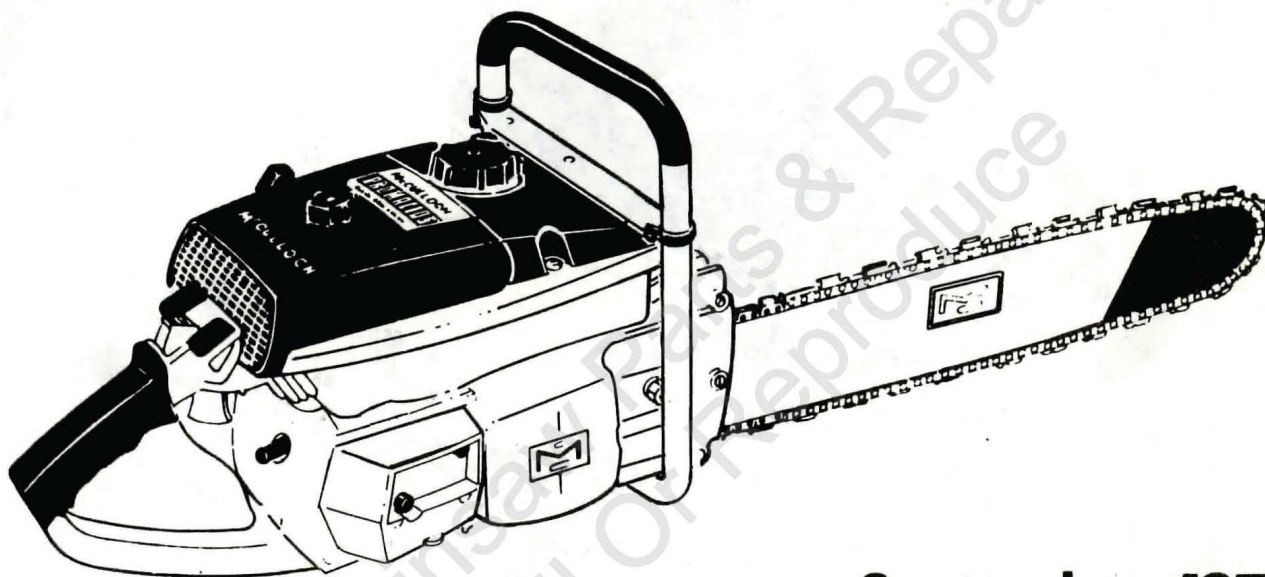


Models	Serial Number Prefix
11600078B	11-
11600078D	11-

PM 105 Chain Saw

ILLUSTRATED PARTS LIST



September 1973

The policy of McCulloch Corporation is one of continual improvement in design, manufacturing and engineering advancement wherever possible to assure still finer two-cycle power tools. Hence, specifications, equipment, colors, design and manufacturer's suggested list prices are subject to change without notice and McCulloch Corporation reserves the right to make such changes without prior notification or obligation to backfit or supply backfit components for units previously shipped from the factory.

	Page
Figure 1. General	2
Figure 2. Fuel System Components	4
Figure 3. Carburetor Assembly	6
Figure 4. Chain Oiler Assemblies	8
Figure 5. Starter, Clutch and Clutch Guard Assemblies	10
Figure 6. Powerhead Assembly	12
Figure 7. Handle and Control Assembly	14



PM 105

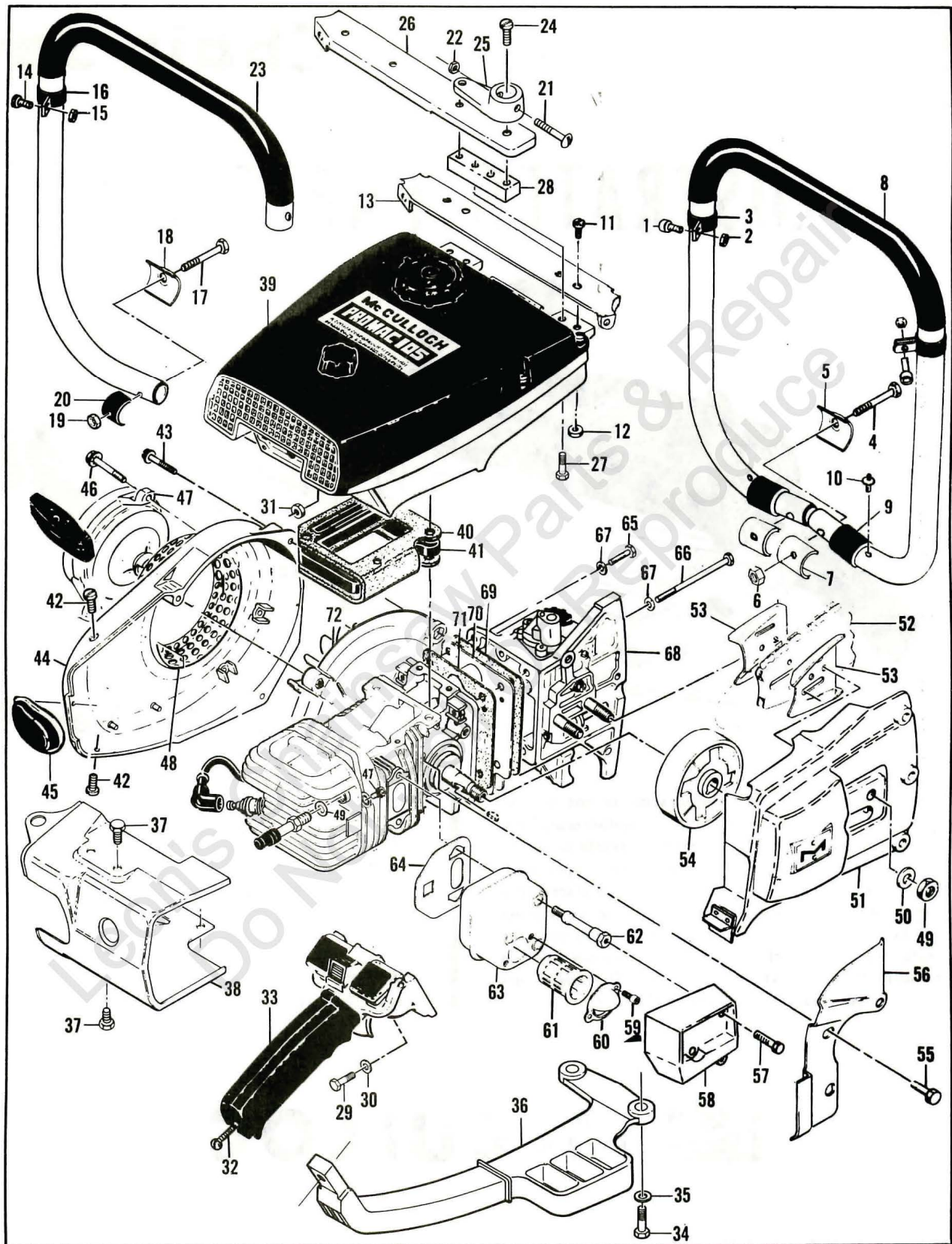


Figure 1. General

FIGURE 1. GENERAL

Item No.	Part Number	Description	Units Per Assy
1	110713	Screw - Slt hd 10-24 x 7/8 (A, D)	2
2	105367	Nut - Hex 10-24 (A, D)	2
3	103923	Clamp - Frame (A, D)	2
4	102125	Screw - Hex hd 1/4-20 x 1-3/4 (A, D)	2
5	63484	Clamp - Frame (A, D)	2
6	105394	Nut - Hex 1/4-20 (A, D)	2
7	83233	Spacer (A, D)	2
8	60231A	Frame & Grip Assy (A, D)	1
9	69885	Protector - Frame (A, D)	2
10	84795	Rivet - Stop (A, D)	2
11	104393	Screw - Pan hd 10-24 x 3/8 (A, D)	4
12	101191	Nut - Hex 10-24 (A, D)	4
13	83363	Brace - Frame (A, D)	1
14	110713	Screw - Slt hd 10-24 x 7/8 (B)	1
15	105367	Nut - Hex 10-24 (B)	1
16	103923	Clamp - Frame (B)	1
17	102125	Screw - Hex hd 1/4-20 x 1-3/4 (B)	1
18	63484	Clamp - Frame (B)	1
19	105394	Nut - Hex 1/4-20 (B)	1
20	83233	Spacer (B)	1
21	102130	Screw - Hex hd 1/4-20 x 1-3/8 (B)	1
22	103242	Nut - Hex 1/4-20 (B)	1
23	60233	Frame & Grip Assy (B)	1
24	102500	Screw - Pan hd 10-24 x 1/2 (B)	4
25	89388	Bracket - Frame (B)	1
26	58279	Brace - Frame (B)	1
27	104950	Screw - Hex hd 10-24 x 5/8 (B)	4
28	69693	Spacer - Brace (B)	1
29	102761	Screw - Hex hd 10-24 x 7/8	2
30	102189	Washer - #10	2
31	102067	Nut - Hex 10-24	2
32	104397	Screw - Pan hd 10-24 x 7/8	1
33		Handle & Control Assy (See Figure 7)	
34	101982	Screw - Hex hd 1/4-20 x 1	2
35	100005	Washer - 1/4	2
36	89373	Brace - Handle	1
37	110581	Screw - Hex hd 10-24 x 3/8	3
38	89287	Shroud	1
39		Fuel System Components (See Figure 2)	

Item No.	Part Number	Description	Units Per Assy
40	65625	Gasket - Fuel tank insulator	1
41	53684A	Insulator - Fuel tank	1
42	102500	Screw - Pan hd 10-24 x 1/2	2
43	104816	Screw - Hex hd 10-24 x 1-1/4 (SEMS)	3
44	89242	Housing Assy - Fan	1
45	85376	Cover - Spark plug	1
46	104815	Screw - Hex hd 10-24 x 7/8 (SEMS)	3
47		Starter Assy (See Figure 5)	
48	84629	Guard - Sawdust	1
49	110625	Nut - Hex 3/8-24	2
50	84623	Washer - Special	2
51		Clutch Guard Assy (See Figure 5)	
52		Bar & Chain Assy	1
53	64935	Plate - Bar protector	2
54		Sprocket & Clutch Assys (See Figure 5)	
55	104133	Screw - Pan hd 1/4-20 x 5/8 (SEMS)	3
56	69464	Jacket - Cylinder	1
57	110717	Screw - Hex hd 10-32 x 3/4	3
58	85459	Guard - Muffler	1
	85388	Kit - Muffler	1
59	110664	Screw - Slt hd 10-24 x 3/8	2
60	84203	Deflector	1
61	84690	Baffle	1
62	85121	Screw - Shoulder	3
63	85117	Muffler Assy	1
64	89224	Gasket - Muffler	1
65	103258	Screw - Hex hd 1/4-20 x 1-1/8	2
66	102127	Screw - Hex hd 1/4-20 x 3-1/4	2
67	100005	Washer - 1/4	4
68		Oiler Housing Assy (See Figure 4)	
69	86125	Gasket - Oiler housing	1
70	60251A	Cover - Crankcase bottom	1
71	65654	Gasket - Bottom cover	1
72		Powerhead Assy (See Figure 6)	

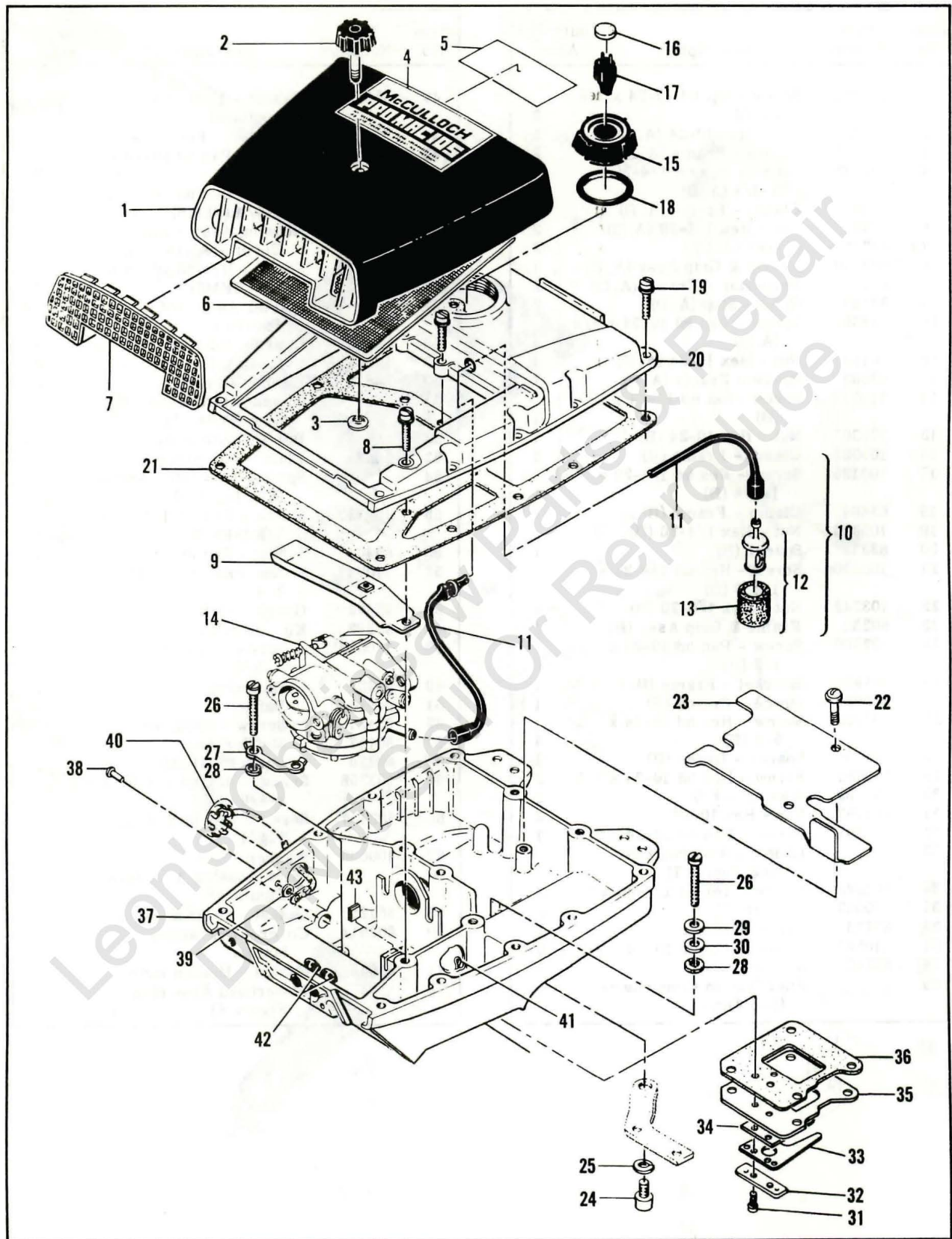


Figure 2. Fuel System Components

FIGURE 2. FUEL SYSTEM COMPONENTS

Item No.	Part Number	Description	Units Per Assy
1	60427A	Cover Assy - Air cleaner	1
2	60243	. Knob - Air cleaner cover	1
3	83367	. Retainer	1
4	89296	Nameplate	1
5	86198	Instruction Plate	1
6	67931	Screen Assy - Air cleaner	1
7	55659	Grill - Air cleaner cover	1
8	104396	Screw - Pan hd 10-24 x 3/4	1
9	55634	Anchor Assy	1
10	63831	Hose Assy - Fuel	1
11	63669	. Hose - Fuel	1
12	53679B	. Pickup Assy - Fuel	1
13	61159	. . Filter - Fuel pickup	1
14		Carburetor Assy (Figure 3)	
15	55934B	Cap Assy - Fuel	1
16	55063	. Filter - Fuel cap	1
17	53766A	. Valve - Fuel cap	1
18	101348	"O" Ring	1
19	104396	Screw - Pan hd 10-24 x 3/4	14
20	62442A	Cover - Fuel tank	1
21	65632	Gasket - Fuel tank	1
22	110054	Screw - Pan hd 6-32 x 3/8 (SEMS)	2

Item No.	Part Number	Description	Units Per Assy
23	63650	Liner - Fuel tank	1
24	100633	Screw - Skt hd 1/4-20 x 1/2	1
25	105043	Lockwasher	1
26	55948A	Screw - Hex hd 10-24 x 1-1/8	4
27	68654	Lockplate - Fuel tank	1
28	68203	Washer - Insulating	4
29	102189	Washer - #10	2
30	103744	Washer - Sealing	2
31	103740	Screw - Hex hd 8-32 x 5/8	2
32	51480	Lockplate	1
33	86294	Stop - Reed	1
34	86293	Valve - Reed	1
35	86284	Plate - Reed	1
36	86292	Gasket - Fuel tank	1
37	86291	Bottom Fuel Tank	1
38	104504	. Rivet	1
39	101871	. Washer - 1/8	1
40	51396A	. Cover Assy - Adjustment hole	1
41	104310	. Pin - Cotter	1
42	68258	. Grommet	2
43	51394	Felt - Throttle guide (B, D)	1

Leon's Chainsaw Parts & Service
Do Not Sell Or Reproduce

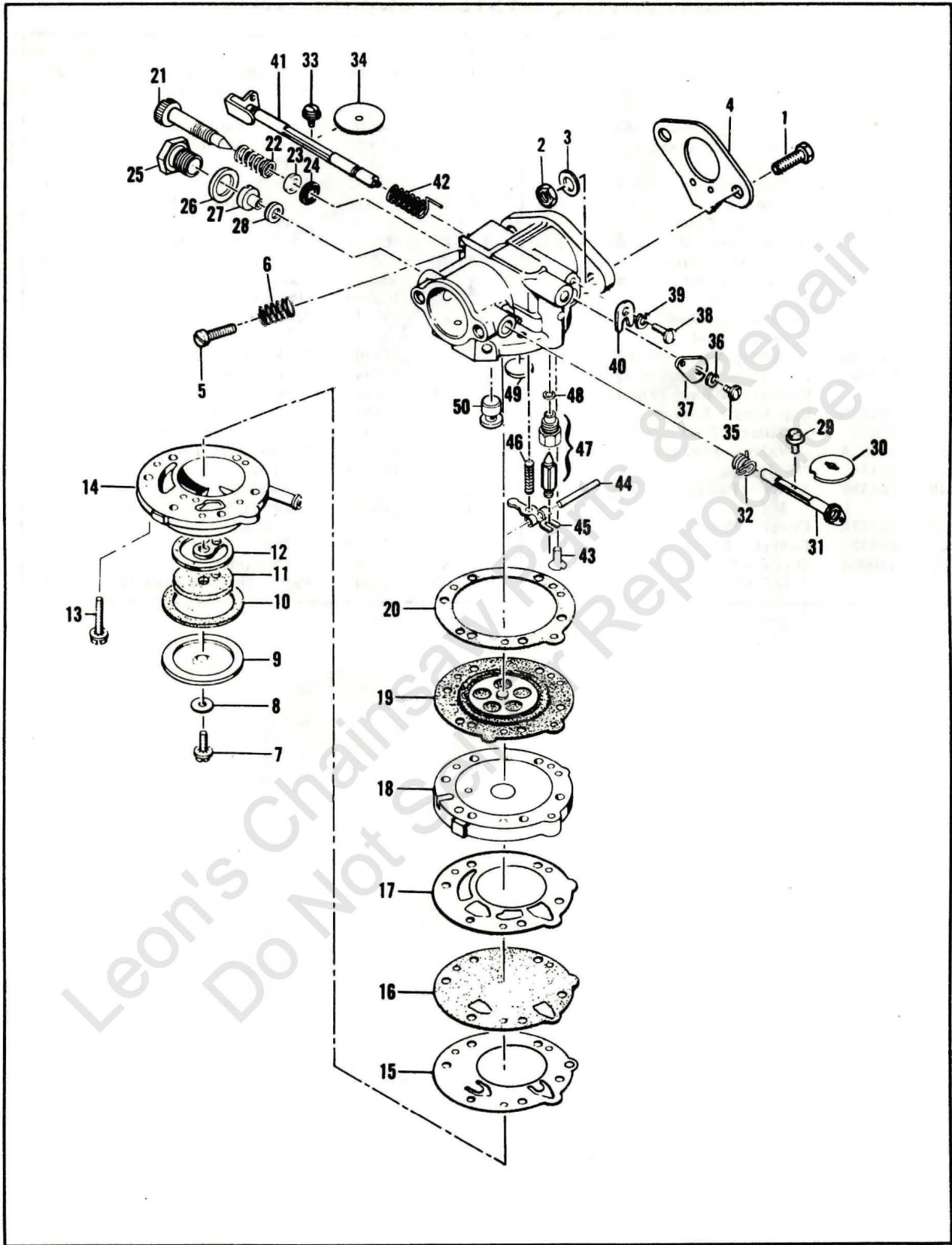


Figure 3. Carburetor Assembly

FIGURE 3. CARBURETOR ASSEMBLY

Item No.	Part Number	Description	Units Per Assy	Item No.	Part Number	Description	Units Per Assy
1	100882	Screw - Hex hd 1/4-20 x 3/4	2	27	90430	. Jet - Main fuel (0.038 orifice)	1
2	103242	Nut - Hex 1/4-20	2		84059	. Jet - Main fuel (0.037 orifice)	Alt.
3	100005	Washer - 1/4	2		90429	. Jet - Main fuel (0.036 orifice)	Alt.
4	86286	Gasket - Carburetor	1		90427	. Jet - Main fuel (0.035 orifice)	Alt.
	86285	Carburetor Assy	1	28	84036	. Gasket - Jet	1
5	52940	. Screw - Idle speed regulating	1	29	51721	. Screw - Choke shutter (SEMS)	1
6	51705	. Spring - Idle speed screw	1	30	84026	. Shutter - Choke	1
7	50797	. Screw - Fuel strainer cover	1	31	87227	. Shaft Assy - Choke	1
8	50798	. Gasket - Cover screw	1	32	87226	. Spring - Choke return	1
9	50796	. Cover - Fuel strainer	1	33	51721	. Screw - Throttle shutter	1
10	51704	. Gasket - Cover	1	34	84041	. Shutter - Throttle	1
11	53717	. Filter - Fuel	1	35	51719	. Screw - Throttle lever	1
12	53565	. Gasket - Filter	1	36	100261	. Lockwasher - #4	1
13	87230	. Screw Assy - Fil hd 6-32 x 3/4	6	37	90379	. Lever - Throttle shaft	1
14	87224	. Body - Fuel pump	1	38	51717	. Screw - Throttle shaft clip	1
15	84030	. Diaphragm - Check valve	1	39	100252	. Lockwasher - #8	1
16	84029	. Diaphragm - Fuel pump	1	40	51716	. Clip - Throttle shaft	1
17	65592	. Gasket - Fuel pump	1	41	87228	. Shaft Assy - Throttle	1
18	87225	. Cover - Diaphragm	1	42	87232	. Spring - Throttle return	1
19	66167	. Diaphragm - Metering	1	43	66644	. Screw - Lever pin	1
20	65591	. Gasket - Diaphragm	1	44	84033	. Pin - Lever	1
21	87223	. Needle - Idle fuel mixture	1	45	84032	. Lever - Inlet valve	1
22	52936	. Spring - Needle	1	46	66404	. Spring - Lever	1
23	52937	. Washer - Needle	1	47	84034	. Needle & Seat - Inlet	1
24	52938	. Packing - Needle	1	48	51708	. Gasket - Inlet	1
25	84037	. Plug - Main fuel jet	1	49	51583	. Plug - Welch 3/8 in.	1
26	52941	. Gasket - Plug	1	50	87229	. Valve Assy - Check	1

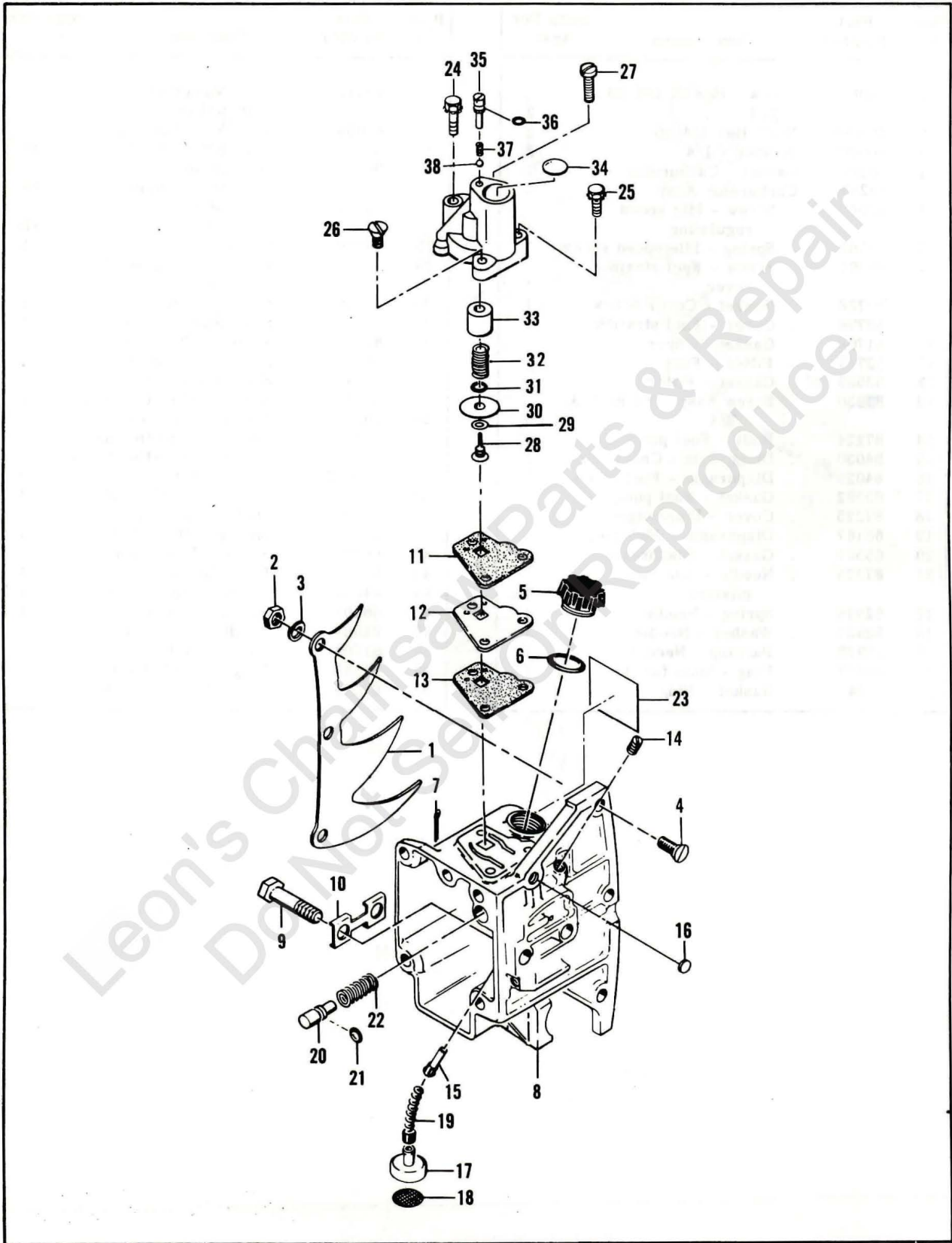


Figure 4. Chain Oiler Assemblies

FIGURE 4. CHAIN OILER ASSEMBLY

Item No.	Part Number	Description	Units Per Assy	Item No.	Part Number	Description	Units Per Assy
1	61331	Kit - Spike 4-tooth	1	21	103198	. "O" Ring - Oiler piston	1
2	100152	. Nut - Hex 1/4-20	3	22	51946	. Spring - Oiler	1
3	100153	. Lockwasher	3	23	59445	Decal - Oiler	1
4	102088	. Screw - Flat hd 1/4-20 x 3/4	3	24	110257	Screw - Hex hd 10-24 x 1-3/4 (SEMS)	1
5	57129A	Cap - Oiler tank	1	25	110127	Screw - Hex hd 10-24 x 7/8 (SEMS)	1
6	101148	"O" Ring - Oiler tank cap	1	26	110245	Screw - Flat hd 10-24 x 3/4	1
7	104062	Pin - Cotter	1	27	83135	Pump Assy - Pulse	1
8	63060	Housing Assy - Oiler	1	28	110890	. Screw - Fil hd 10-24 x 7/8	1
9	51423B	. Bolt - Bar mounting	2	29	60260A	. Piston Assy	1
10	51439	. Plate - Lock	1	30	60937	. Washer	1
11	86186	. Gasket - Oil pump	1	31	86182	. Ring - Piston	1
12	67471	. Spacer - Pump body	1	32	104001	. "O" Ring - Piston	1
13	68794	. Gasket - Spacer	1	33	86183	. Spring - Piston	1
14	104869	. Plug - Pipe 1/16-27	1	34	67918	. Sleeve - Piston	1
15	51982A	. Check Valve Assy - Oiler	1	35	110157	. Plug - Expansion 5/8	1
16	105677	. Plug - Expansion 3/8	1	36	60397A	. Screw - Fil hd	1
17	51505	Weight Assy - Oil line hose	1	37	60398B	. Washer	1
18	51506	. Screen - Oil intake	1	38	60396B	. Spring - Ball check	1
19	28007	Hose - Flexible	1			. Ball	1
20	63642	Piston Assy - Oiler	1				

Leon's Chainsaw Parts & Repair
Do Not Sell Or Reprint

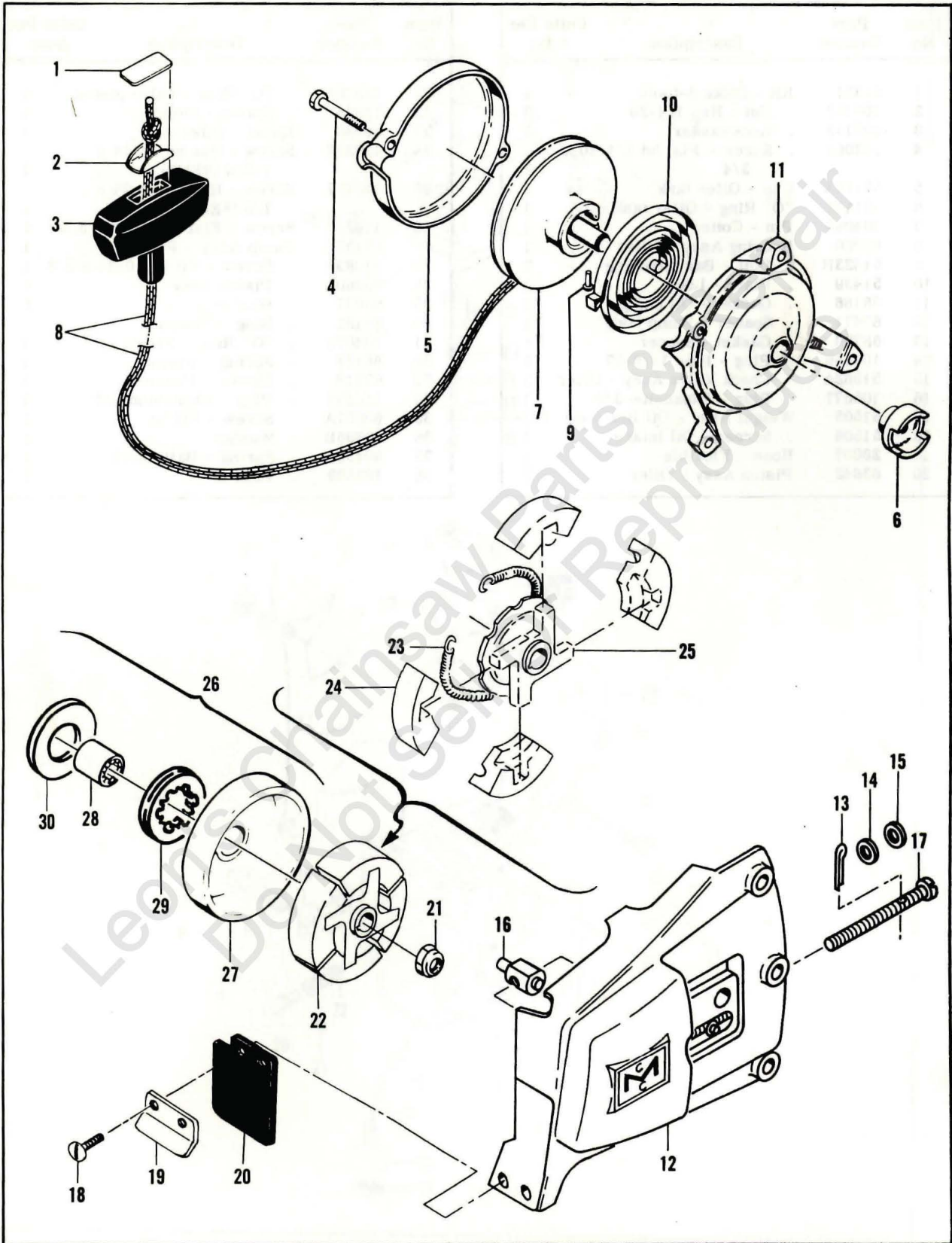


Figure 5. Starter, Clutch and Clutch Guard Assemblies

FIGURE 5. STARTER, CLUTCH AND CLUTCH GUARD ASSEMBLIES

Item No.	Part Number	Description	Units Per Assy
	84211	Starter Assy	1
1	57232	. Plate - Handle	1
2	57231	. Cup - Handle	1
3	57230	. Handle	1
4	104396	. Screw - Pan hd 10-24 x 3/4	2
5	60647	. Cover - Starter	1
6	57790	. Ratchet - Starter	1
7	57792	. Drum - Starter	1
8	28716	. Rope - Starter	1
9	101136	. Rivet - Rope	1
10	51665	. Spring - Rewind	1
11	84212	. Base - Starter	1
12	85547	Guard Assy - Clutch	1
13	105686	. Pin - Cotter	1
14	100004	. Washer - 1/4	1
15	100005	. Washer - 1/4	1
16	52207C	. Nut - Bar adjusting	1
17	62057	. Screw - Bar adjusting	1

Item No.	Part Number	Description	Units Per Assy
18	110041	Screw - Pan hd 8-32 x 1/2	2
19	69492	Retainer - Deflector	1
20	69477	Deflector - Sawdust	1
21	86113	Nut - Clutch	1
22	89227	Clutch Assy	1
23	85042	. Spring - Clutch	1
24	51464A	. Shoe - Clutch	4
25	89226	. Rotor Assy	1
26	86350	Kit - Drum, sprocket, bearing (A)	1
	86340	Kit - Drum, sprocket, bearing (B, D)	1
27	86343	. Drum & Bearing	1
28	87111	. Bearing	1
29	86342	. Sprocket - 7-T .404 (A)	1
	86341	. Sprocket - 8-T .404 (B, D)	1
30	86366	. Washer - Sprocket	1

Leon's Chainsaw Parts & Repairs
Do Not Sell Or Reproduce

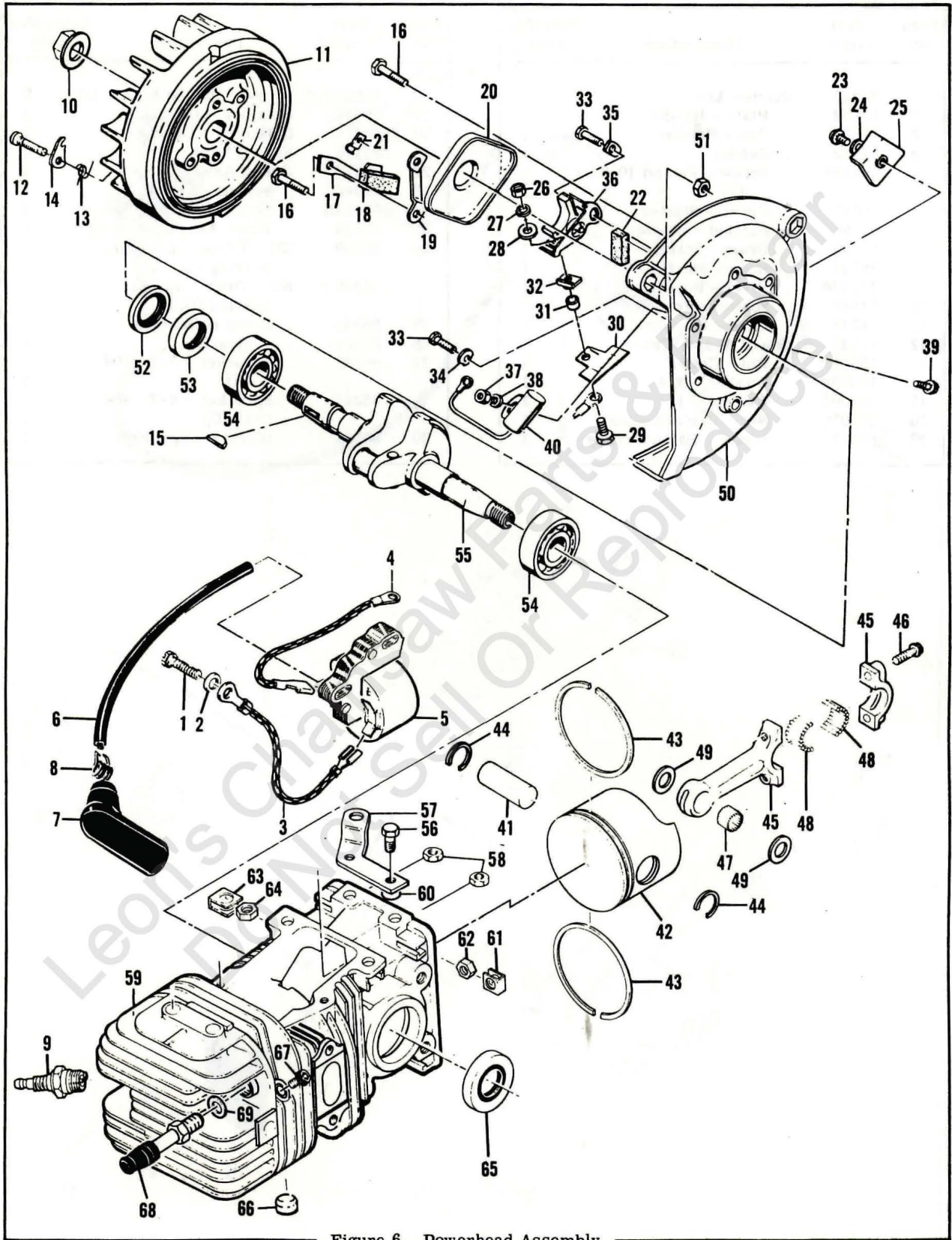


Figure 6. Powerhead Assembly

FIGURE 6. POWERHEAD

Item No.	Part Number	Description	Units Per Assy
1	110713	Screw - Skt hd 10-24 x 7/8	2
2	83745	Washer - Special	2
3	63639	Wire Assy - Ground	1
4	63628	Wire Assy - Primary	1
5	85243	Coil & Lamination Assy	1
6	50120	. Wire Assy - Spark plug	1
7	55060	. . Boot	1
8	55061	. . Connector	1
9	63432	Spark Plug - AC CS 42T	1
10	110655	Nut - Hex 7/16-20	1
11	68282	Flywheel & Pawl Assy	1
12	36144B	. Pin - Pawl	2
13	66351	. Spring - Pawl	2
14	24093	. Pawl	2
15	103879	Key - Woodruff	1
16	110866	Screw - Hex hd 10-24 x 3/4	6
17	57815	Strap - Seal	1
18	50664	Seal - Breaker box	1
19	55977	Clip - Breaker box cover	2
20	55766B	Cover - Breaker box	1
21	104230	Speednut	1
22	54184	Wiper - Felt	1
23	110055	Screw - Fil hd 8-32 x 3/8 (SEMS)	1
24	100080	Washer - #8	1
25	57829	Clamp - Wire	1
26	104551	Nut - Hex 8-32	1
27	104553	Lockwasher - #8	1
28	100080	Washer - #8	1
29	110338	Screw - Hex hd 8-32 x 9/16	1
30	55782A	Insulator - Wire	1
31	57769	Insulator - Screw	1
32	57770A	Insulator - Spring	1
33	104733	Screw - Fil hd 8-32 x 1/2 (SEMS)	2

Item No.	Part Number	Description	Units Per Assy
34	57767A	Lockplate	1
35	55778E	Retainer'- Breaker	1
36	88807	Breaker Assy	1
37	100251	Nut - Hex 8-32	1
38	100057	Lockwasher - #8	1
39	103748	Screw - Hex hd 8-32 x 1/2	1
40	85358	Condenser	1
41	89204	Pin - Piston	1
42	89251	Piston Assy	1
43	89250	. Ring Set - Piston	1
44	85273	. Ring - Retaining	2
45	88623	Connecting Rod Assy	1
46	110720	. Screw - Special	2
47	85607	. Roller - Needle (Set of 22)	1
48	85420	. Roller - Needle	24
49	85266	Washer - Thrust	2
50	84193	Crankcase Cover Assy	1
51	101326	. Nut - Hex 10-24	3
52	57897	. Seal - Oil	1
53	57898	. Seal - Oil	1
54	110883	Bearing - Ball	2
55	89222	Crankshaft	1
56	102762	Screw - Hex hd 10-24 x 1/2	2
57	53271	Bracket - Fuel tank	1
58	101326	Nut - Hex 10-24	2
59	89265	Crankcase Assy	1
60	89240	. Spacer - Fuel tank bracket	2
61	28053	. Retainer - Nut	2
62	101326	. Nut - Hex 10-24	2
63	18556A	. Retainer - Nut	6
64	105394	. Nut - Hex 1/4-20	6
65	104432	. Seal - Oil	1
66	110685	. Plug - Cup	3
67	110681	. Screw - Skt hd 10-24 x 1/4	1
68	85148	Valve - DSP	1
69	85505	Washer - Valve	1

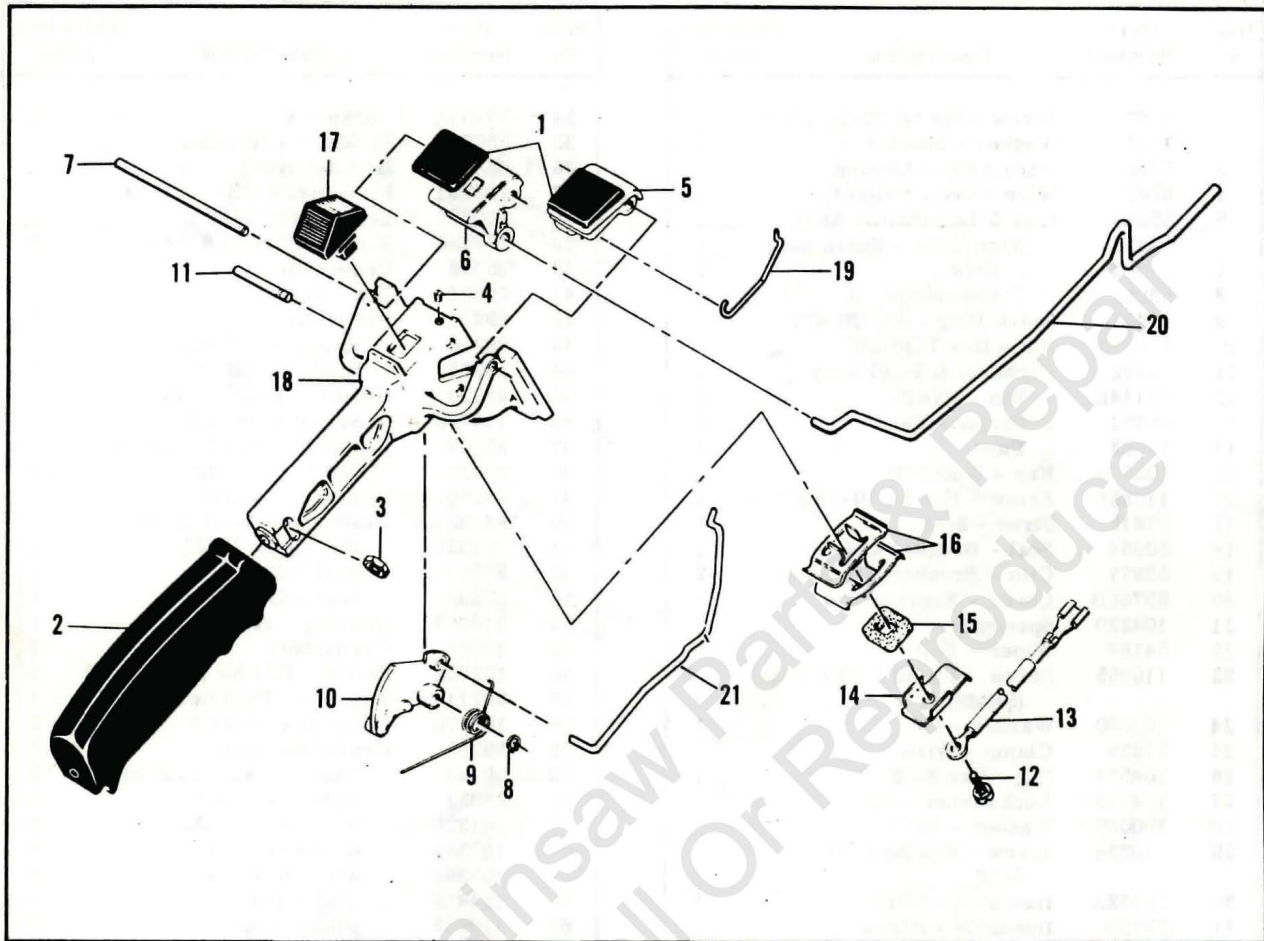


FIGURE 7. HANDLE AND CONTROL ASSEMBLY

Item No.	Part Number	Description	Units Per Assy
1	55670	Grommet	2
	64860	Handle and Control Assy	1
2	55624A	. Grip - Handle	1
3	101326	. Nut - Hex 10-24	1
4	104484	. Screw - Set 8-32 x 1/4	1
5	55968A	. Button - Choke	1
6	55969A	. Button - Oiler control	1
7	51344A	. Shaft - Choke and Oiler buttons	1
8	104501	. Retainer - Trigger pin	1
9	55674	. Spring - Trigger return	1
10	63663	. Trigger	1

Item No.	Part Number	Description	Units Per Assy
11	50507	. Pin - Trigger	1
12	110706	. Screw - Fil hd 8-18 x 1/2 (SEMS)	1
13	83661	. Wire Assy - Stop switch	1
14	51279	. Contact - Switch	1
15	51555	. Insulator - Switch	1
16	51554A	. Detent - Switch	2
17	57718	. Button - Switch	1
18	55986	. Handle	1
19	84319	Pushrod - Choke	1
20	51857B	Pushrod - Oiler	1
21	55873	Pushrod - Throttle	1

ACCESSORIES

Part Number	Description
86419	Guide - Timing
65778	Spark Plug - AC CS 41T
61040	Wrench - Screwdriver
64797	Wrench - Spark plug

Part Number	Description
83463	Kit - Gas & Go
86351	Kit - All weather fuel cap
85583	Kit - Spline socket
85584	Wrench - Spline socket

SERVICE SPECIFICATIONS

Spark Plug - AC CS 42T (Standard) AC CS 41T (colder)
Spark Plug Gap - .025 inch (.63 mm)
Lamination Gap - .007 to .012 inch (.18 to .30 mm)
Breaker Point Gap - .018 inch (.46 mm)
Timing - 26° BTDC
Carburetor Adjustment
Idle mixture needle - 1 turn open (preliminary)
Main mixture - Fixed high speed jet
0 to 4000 feet - Jet No. 038
3000 to 5500 feet - Jet No. 037
4500 to 8000 feet - Jet No. 036
7000 feet and above - Jet No. 035
Clutch Engagement Speed - 2400 to 2800 R.P.M.
Torques
Connecting Rod Screws - 105 to 110 inch/pounds (121 to 127 cm/kg)
Clutch Nut - 340 to 360 inch/pounds (392 to 416 cm/kg)
Flywheel Nut - 375 to 425 inch/pounds (432 to 490 cm/kg)

PM 105 Numerical Order Parts List

Part Number	Description	Units Per Assy
18556A	Retainer - Nut	6
24093	Pawl - Starter	2
28007	Hose - Flexible	1
28053	Retainer	2
28716	Rope - Starter	1
36144B	Pin - Starter pawl	2
50120	Wire Assy - Spark	1
50507	Pin - Trigger	1
50664	Seal - Breaker box	1
50796	Cover - Fuel strainer	1
50797	Screw - Fuel strainer	1
50798	Gasket - Strainer	1
51279	Contact - Switch	1
51344A	Shaft - Oiler	1
51394	Felt	1
51396A	Cover Assy - Adj	1
51423B	Bolt - Bar mount	2
51439	Plate - Lock	1
51464A	Shoe - Clutch	4
51480	Plate - Lock	1
51505	Weight Assy - Oil	1
51506	Screen - Oil	1
51554A	Detent - Switch	2
51555	Insulator - Switch	1
51583	Plug - Body channel	1
51665	Spring - Rewind	1
51704	Gasket - Fuel	1
51705	Spring - Idle	1
51708	Gasket - Inlet	1
51716	Clip - Throttle	1
51717	Screw - Fl 8-32	1
51719	Screw - Throttle	1
51721	Screw - Rd 4-40	2
51857B	Oiler - Push rod	1
51946	Spring - Oiler	1
51982A	Valve Assy - Check	1
52207C	Nut - Bar adj	1
52936	Spring - Adj	1
52937	Washer - Adj	1
52938	Packing - Adj	1
52940	Screw - Idle	1
52941	Gasket - Plug	1
53271	Bracket - Fuel tank	1
53565	Gasket - Carburetor	1
53679B	Pickup Assy - Fuel	1
53684A	Insulator - Fuel	1
53717	Element - Fuel	1
53766A	Valve - Check	1
54184	Wiper - Oil wick	1
55060	Boot - Spark plug	1
55061	Connector	1
55063	Seal - Capillary	1
55624A	Grip - Handle	1
55634	Anchor Assy - Air cleaner	1
55659	Grill - Cover	1
55670	Grommet	2
55674	Spring - Trigger	1
55766B	Cover Assy - Breaker box	1
55778E	Washer - Breaker	1
55782A	Insulator - Breaker	1
55873	Pushrod - Throttle	1

Part Number	Description	Units Per Assy
55934B	Cap Assy - Fuel	1
55948A	Screw - Hex 10-24	4
55968A	Button - Choke	1
55969A	Button - Oiler	1
55977	Clip - Breaker box	2
55986	Handle - Painted	1
57129A	Cap - Oiler	1
57230	Handle - Starter	1
57231	Cup - Starter	1
57232	Plate - Starter	1
57718	Kit - Stop switch	1
57767A	Plate - Lock	1
57769	Insulator - Ignition	1
57770A	Insulator - Breaker	1
57790	Ratchet - Starter	1
57792	Drum - Starter	1
57815	Strap - Seal	1
57829	Clamp - Ignition wire	1
57897	Seal - Dust	1
57898	Seal - Oil	1
58276	Bracket - Frame	1
58279	Brace - Frame	1
59445	Decal - Oiler housing	1
60231A	Frame & Grip Assy	1
60233	Frame & Grip Assy	1
60243	Knob - Air cleaner cover	1
60251A	Cover - Crankcase bottom	1
60260A	Piston Assy - Oiler	1
60396B	Spring - Ball	1
60397A	Screw - Oiler	1
60398A	Washer - Plain	1
60427A	Cover Assy - Air cleaner	1
60647	Cover - Starter	1
60937	Washer - Pulse	1
61040	Wrench - Screw driver	3
61159	Filter - Fuel	1
61331	Kit - Spike	1
62057	Screw - Bar adj	1
62442A	Cover Assy - Fuel	1
63060	Housing Assy - Oil	1
63432	Sparkplug	1
63484	Clamp - Frame	2
63628	Wire Assy - Primary	1
63639	Wire Assy	1
63642	Piston Assy - Oiler	1
63650	Liner - Fuel tank	1
63663	Trigger	1
63669	Hose - Fuel	1
63831	Hose Assy - Fuel	1
64797	Wrench - Sparkplug	4
64860	Handle & Control	1
64935	Plate - Slim line	2
65591	Gasket - Diaphragm	1
65592	Gasket - Fuel pump	1
65625	Gasket - Fuel tank	1
65632	Gasket - Fuel tank	1
65654	Gasket - Crankcase box	1
65778	Sparkplug - AC CS	2
66167	Diaphragm Assy	1
66351	Spring - Pawl	2
66404	Spring - Inlet	1
66644	Screw - Inlet pin	1

PM 105 Numerical Order Parts List

Part Number	Description	Units Per Assy
67471	Spacer - Pump body	1
67918	Sleeve - Adj piston	1
67931	Screen Assy - Air cleaner	1
68203	Washer - Insulation	4
68258	Grommet - Bellows	2
68282	Flywheel & Pawl Assy	1
68654	Plate - Lock fuel	1
68794	Gasket - Oil pump	1
69464	Jacket - Cylinder	1
69477	Deflector - Sawdust	1
69492	Retainer - Deflector	1
69693	Spacer - Brace	1
69885	Protector - Frame	2
83135	Pump Assy - Pulse	1
83233	Spacer - Frame	2
83363	Brace - Frame	1
83367	Retainer	1
83463	Kit - Gas and Go	5
83661	Wire Assy - Stop	1
83745	Washer - #10	2
84026	Shutter - Choke	1
84029	Diaphragm - Fuel pump	1
84030	Diaphragm - Fuel	1
84032	Lever - Inlet	1
84033	Pin - Lever	1
84034	Seat & Gasket	1
84036	Gasket - Main fuel	1
84037	Screw - Main jet	1
84041	Shutter - Throttle	1
84059	Jet - Main fuel	1
84193	Cover Assy - Crank	1
84203	Deflector - Exhaust	1
84211	Starter Assy	1
84212	Base - Starter	1
84319	Rod - Choke	1
84623	Washer - Bar clamp	2
84629	Guard - Sawdust	1
84690	Baffle Assy - Muffler	1
84795	Rivet - 3/16	2
85042	Spring - Clutch	1
85117	Muffler Assy	1
85121	Screw - Shoulder	3
85148	Valve - Compression	1
85243	Coil & Lamination Assy	1
85266	Washer - Thrust	2
85273	Ring - Retaining	2
85358	Condenser	1
85376	Kit - Spark plug	1
85388	Kit - Muffler Assy	1
85420	Roller - Needle bearing	1
85459	Guard - Muffler	1
85505	Washer - Valve	1
85547	Guard Assy - Clutch	1
85583	Key - Spline	7
85584	Wrench - Spline	8
85607	Set - Roller	1
86113	Nut - Left hand	1
86125	Gasket - Oiler	1
86182	Ring - Piston	1
86183	Spring - Oiler	1
86186	Gasket - Oil pump	1
86198	Plate - Instruction	1
86284	Plate - Reed	1

Part Number	Description	Units Per Assy
86285	Carburetor Assy	1
86286	Gasket - Carburetor	1
86292	Gasket - Fuel tank	1
86293	Valve - Reed	1
86294	Stop - Reed	1
86340	Drum, Bearing & Sprocket	1
86341	Kit - Sprocket	1
86342	Kit - Sprocket	1
86343	Drum & Bearing Assy	1
86350	Drum, Bearing & Sprocket	1
86351	Kit - Fuel cap	6
86366	Washer - Sprocket	1
86419	Guide - Timing	1
86613	Rivet - Chain	1
87111	Bearing - Needle	1
87223	Screw - Idle adj	1
87224	Body - Fuel pump	1
87225	Cover - Diaphragm	1
87226	Spring - Choke	1
87227	Shaft Assy - Choke	1
87228	Shaft Assy - Throttle	1
87229	Valve Assy - Check	1
87230	Screw Assy - Fil hd 6-32	6
87232	Spring - Throttle	1
88623	Connecting Rod Assy	1
88807	Breaker Assy	1
89204	Pin - Piston	1
89222	Crankshaft	1
89224	Gasket - Muffler	1
89226	Rotor - Clutch	1
89227	Clutch Assy	1
89240	Spacer - Bracket screw	2
89242	Fan Housing	1
89250	Ring Set	1
89251	Piston Assy	1
89265	Cylinder Assy	1
89287	Shroud	1
89291	Bottom - Fuel tank	1
89296	Nameplate	1
89373	Brace - Handle	1
90379	Lever - Throttle	1
90427	Jet - Main fuel	1
90429	Jet - Main fuel	1
90430	Jet - Main fuel	1
100004Z	Washer - 1/4 plain	1
100005Z	Washer - 1/4 plain	1
100057Z	Washer - Lock #8	1
100080Z	Washer - Plain #8	1
100152Z	Nut - Hex 1/4-20	1
100153Z	Washer - Lock 1/4	1
100251Z	Nut - Hex 8-32	1
100252Z	Washer - Lock #8	1
100261Z	Washer - Lock #4	1
100633Z	Screw - Skt hd 1/4-20	1
100882Z	Screw - Hex 1/4-20	1
101136Z	Rivet - Rd	1
101148Z	O Ring	1
101191Z	Nut - Hex 10-24	1
101326Z	Nut - Hex 10-24	1
101348Z	O Ring	1
101871Z	Washer - 1/8	1
101982Z	Screw - Hex 1/4-20	1
102067Z	Nut - Stop 10-24	1

PM 105 Numerical Order Parts List

Part Number	Description	Units Per Assy
102088Z	Screw - Flat	1
102125Z	Screw - Hex 1/4-20	1
102127Z	Screw - Hex 1/4-20	1
102130Z	Screw - Hex 1/4-20	1
102151Z	Screw - Hex 1/4-20	1
102189Z	Washer - Flat #10	1
102500Z	Screw - Pan 10-24	1
102761Z	Screw - Hex 10-24	1
102762Z	Screw - Hex 10-24	1
102809Z	Ball - .093 dia.	1
103198Z	O Ring	1
103242Z	Nut - Hex 1/4-20	1
103258Z	Screw - Hex 1/4-20	1
103740Z	Screw - Hex 8-32	1
103744Z	Washer - Seal .050	1
103748Z	Screw - Hex 8-32	1
103879Z	Key - Woodruff #213	1
103923Z	Clamp	1
104001Z	O Ring	1
104062Z	Pin - Cotter 1/16	1
104133Z	Screw - Pan 1/4-20	1
104230Z	Nut - Speed 1/8	1
104310Z	Pin - Cotter 1/16	1
104393Z	Screw - Pan 10-24	1
104396Z	Screw - Pan 10-24	1
104397Z	Screw - Pan 10-24	1
104432Z	Seal - Oil	1
104484Z	Screw - Set 8/32	1
104501Z	Retainer - Pin	1
104504Z	Rivet - Rd	1
104551Z	Nut - Hex 8-32	1
104553Z	Washer - Lock #8	1

Part Number	Description	Units Per Assy
104733Z	Screw - Fil 8-32	1
104815Z	Screw - Hex 10-24	1
104816Z	Screw - Hex 10-24	1
104869Z	Plug - Pipe 1/16	1
104950Z	Screw - Hex 10-24	1
105043Z	Washer - Lock 1/4	1
105367Z	Nut - Hex 10-24	1
105394Z	Nut - Lock 1/4-20	1
105677Z	Welch - Plug 3/8	1
105686Z	Pin - Cotter 1/6	1
110041Z	Screw - Pan 8-32	1
110054Z	Screw - Pan 6-32	1
110055Z	Screw - Fil 8-32	1
110127Z	Screw - Hex 10-24	1
110157Z	Plug - Expansion	1
110245Z	Screw - Flat	1
110257Z	Screw - Hex 10-24	1
110338Z	Screw - Hex 8-32	1
110581Z	Screw - Washer 10-24	1
110625Z	Nut - Hex 3/8-24	1
110655Z	Nut - Flange 7/16	1
110664Z	Screw - Socket 10-24	1
110681Z	Screw - Socket 10-24	1
110685Z	Plug - Cup	1
110706Z	Screw - Pan 8-18	1
110713Z	Screw - Socket 10-24	1
110717Z	Screw - Hex 10-32	1
110720Z	Screw - Special	1
110866Z	Screw - Hex hd 10-24	1
110883	Bearing - Ball	2
110890Z	Screw - Fil 10-24	1

Leon's Chainsaw Repair
Do Not Sell



McCULLOCH
CORPORATION



● MANUFACTURING ● SALES ● SERVICE ●

McCULLOCH
CORPORATION

P.O. Box 92180, Los Angeles, CA 90009

Copyright - McCulloch.

To answer service-related questions and to solve common consumer problems quickly, we invite you to call this toll-free hot-line:

Arizona residents please call collect (602)453-3681

(800) 423-6302