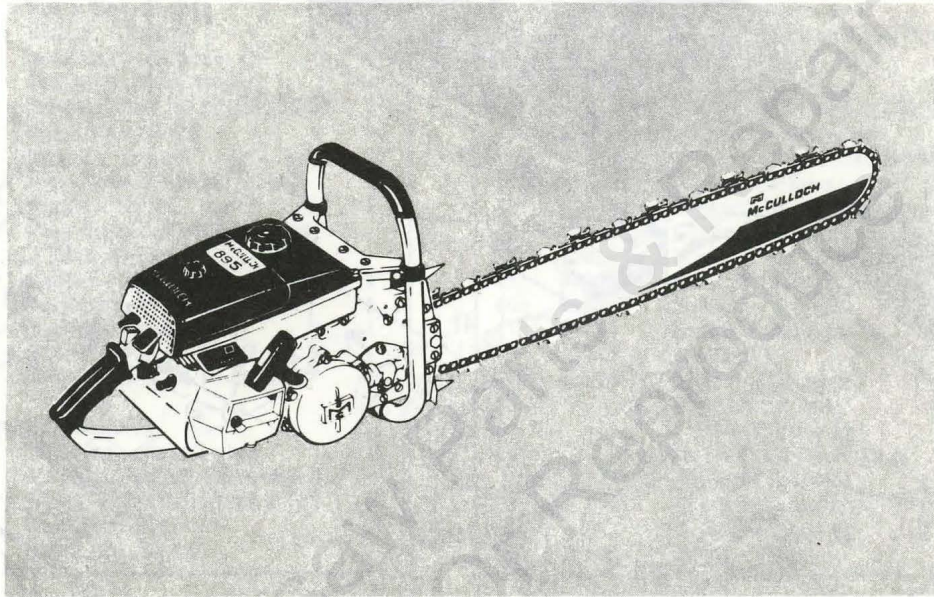


MODEL 895C Chain Saw

Model Number 600138

Serial Numbers Prefixed 11-

ILLUSTRATED PARTS LIST



APRIL 1974

The policy of McCulloch Corporation is one of continual improvement in design, manufacturing and engineering advancement wherever possible to assure still finer two-cycle power tools. Hence, specifications, equipment, colors, design and manufacturer's suggested list prices are subject to change without notice and McCulloch Corporation reserves the right to make such changes without prior notification or obligation to backfit or supply backfit components for units previously shipped from the factory.

	Page
Figure 1. General.	2
Figure 2. Fuel System Components	4
Figure 3. Carburetor Assembly	6
Figure 4. Starter and Clutch Assemblies	8
Figure 5. Powerhead Assembly	10
Figure 6. Transmission Assembly	12
Figure 7. Lockplate Adjusting Assembly.	14
Figure 8. Handle and Control Assembly	15

 **McCULLOCH**

MODEL 895C

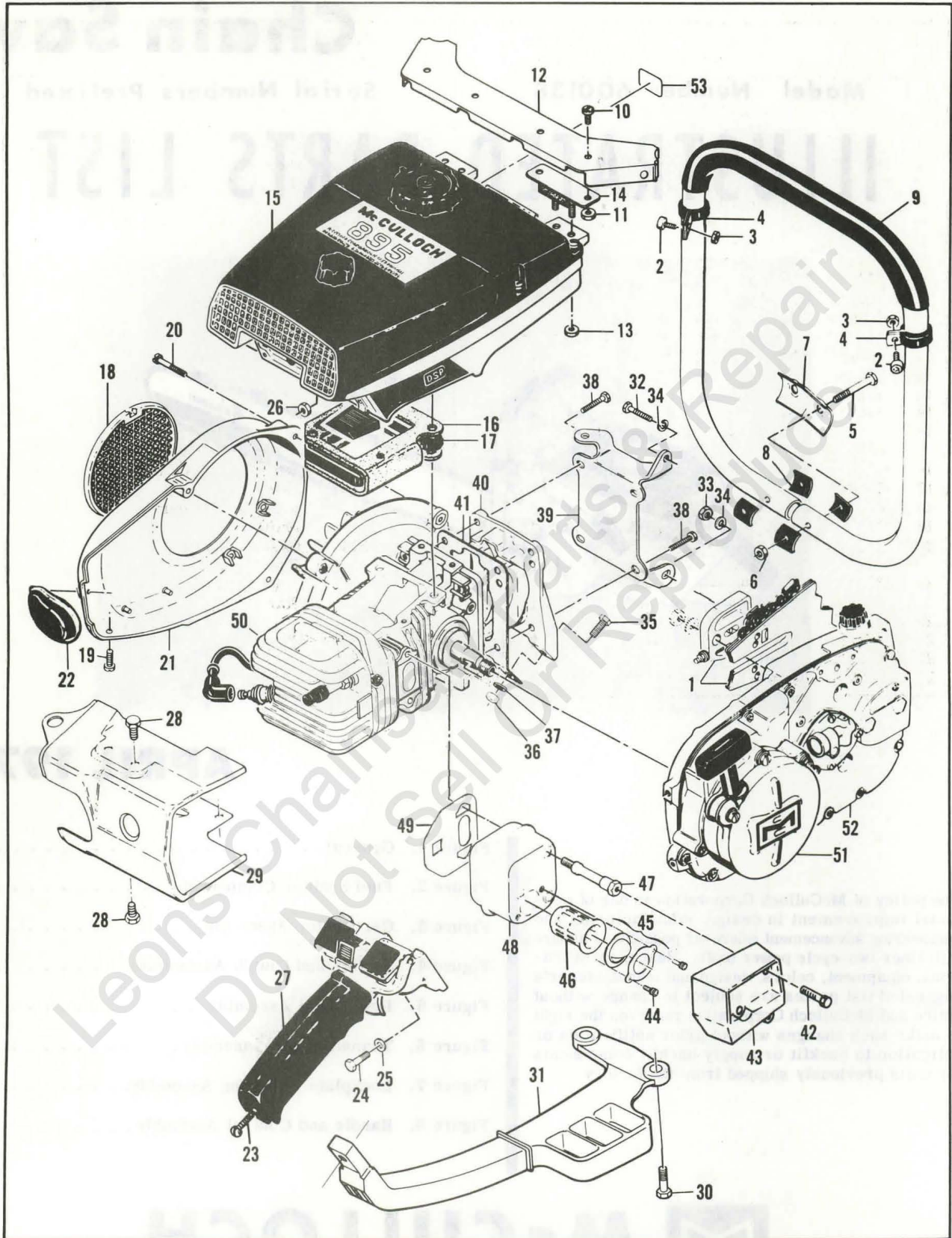


Figure 1. General

FIGURE 1. GENERAL

Item No.	Part Number	Description	Units Per Assy
1		Lockplate Adjusting Assy, Bar & Chain (See Figure 7)	2
2	110713	Screw - Skt hd 10-24 x 7/8	2
3	105367	Nut - Hex 10-24	2
4	103923	Clamp - Frame	2
5	102125	Screw - Hex hd 1/4-20 x 1-3/4	2
6	101191	Nut - Hex 10-24	2
7	51660	Clamp - Frame	1
8	50062	Insulator - Frame	4
9	60766A	Frame & Grip Assy	1
10	104393	Screw - Pan hd 10-24 x 3/8	4
11	101191	Nut - Hex 10-24	4
12	55638	Brace - Frame	1
13	101326	Nut - Hex 10-24	4
14	55606B	Mount - Shock	2
15		Fuel System Components (See Figure 2)	
16	67477	Gasket - Fuel tank insulator	1
17	53684A	Insulator - Fuel tank	1
18	87249	Guard - Flywheel	1
19	102500	Screw - Pan hd 10-24 x 1/2	1
20	104816	Screw - Hex hd 10-24 x 1-1/4	3
21	89242	Fan Housing	1
22	85376	Cover - Spark plug	1
23	104397	Screw - Pan hd 10-24 x 7/8	1
24	102761	Screw - Hex hd 10-24 x 7/8	2
25	102189	Washer - #10	2
26	102067	Nut - Hex 10-24	2

Item No.	Part Number	Description	Units Per Assy
27		Handle & Control Assy (See Figure 8)	
28	110581	Screw - Hex hd 10-24 x 3/8	3
29	89287	Shroud	1
30	101982	Screw - Hex,hd 1/4-20 x 1	2
31	89373	Brace - Handle	1
32	100882	Screw - Hex hd 1/4-20 3/4	1
33	100248	Nut - Hex 1/4-28	1
34	100153	Lockwasher - 1/4	2
35	100882	Screw - Hex hd 1/4-20 x 3/4	1
36	105394	Nut - Hex 1/4-20	1
37	100005	Washer - 1/4	1
38	101982	Screw - Hex hd 1/4-20 x 1	4
39	61225	Bracket - Gearcase	1
40	65743	Cover - Crankcase bottom	1
41	65654	Gasket - Cover	1
42	110717	Screw - Hex hd 10-32 x 3/4	3
43	90673	Guard - Muffler	1
44	110664	Screw - Skt hd 10-24 x 3/8	2
45	85929	Kit - Adjustable deflector	1
46	84690	Baffle	1
47	85121	Screw - Shoulder	3
48	85117	Muffler	1
49	89224	Gasket - Muffler	1
50		Powerhead Assy (See Figure 5)	
51		Starter & Clutch Assy (See Figure 4)	
52		Transmission Assy (See Figure 6)	
53	59445	Decal - Oiler	1

Leons Chainsaw Parts
Do Not Sell Or Repair

MODEL 895C

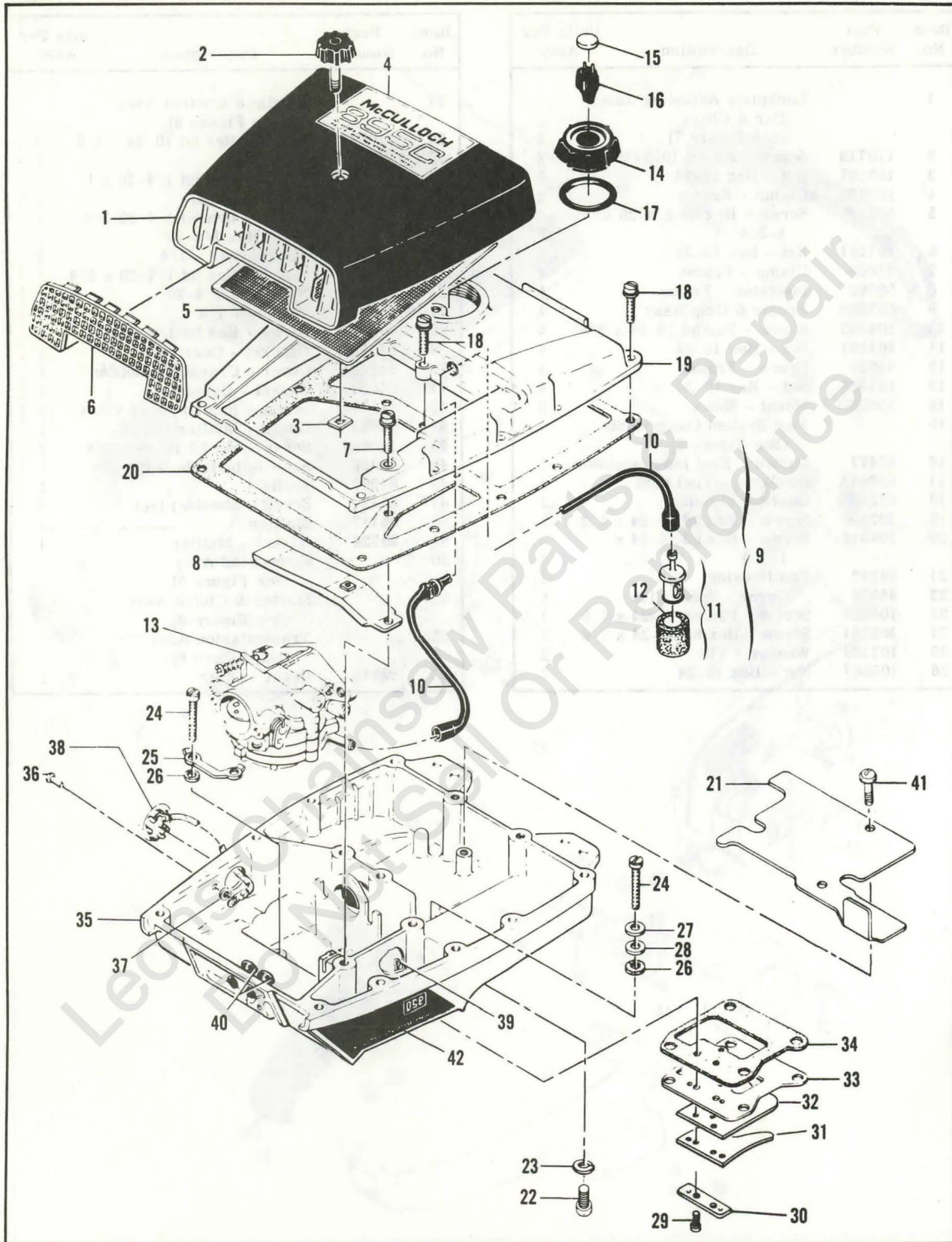


Figure 2. Fuel System Components

FIGURE 2. FUEL SYSTEM COMPONENTS

Item No.	Part Number	Description	Units Per Assy
1	60427A	Cover Assy - Air cleaner	1
2	60243	. Knob - Cover	1
3	83367	. Speednut	1
4	90675	Nameplate	1
5	67931	Screen - Air cleaner	1
6	55659	Grill - Cover	1
7	104396	Screw - Pan hd 10-24 x 3/4	1
8	55634	Anchor Assy - Air cleaner	1
9	63831	Hose Assy - Fuel	1
10	63669	. Hose - Fuel	1
11	53679B	. Pickup Assy - Fuel	1
12	61159	. . Filter - Fuel	1
13		Carburetor Assy (See Figure 3)	
14	55934B	Cap Assy - Fuel	1
15	55063	. Filter	1
16	53766A	. Valve - Check	1
17	101348	"O" Ring - Fuel cap	1
18	104396	Screw - Pan hd 10-24 x 3/4	14
19	62442A	Cover - Fuel tank	1
20	65632	Gasket - Fuel tank	1
21	63650	Liner - Fuel tank	1

Item No.	Part Number	Description	Units Per Assy
22	100633	Screw - Skt hd 1/4-20 x 1/2	1
23	105043	Lockwasher	1
24	55948A	Screw - Fuel tank	4
25	68654	Lockplate	1
26	68203	Washer - Insulating	4
27	102189	Washer - #10	2
28	103744	Washer - Sealing	2
29	103740	Screw - Hex hd 8-32 x 7/8	2
30	51480	Lockplate	1
31	86294	Guard - Valve	1
32	86293	Valve - Reed	1
33	86284	Plate - Reed	1
34	86292	Gasket - Reed plate	1
35	86296	Bottom Assy - Fuel tank	1
36	104504	. Rivet	1
37	101871	. Washer	1
38	51396A	. Cover Assy - Adjustment hole	1
39	104310	. Pin - Cotter	1
40	68258	. Grommet	2
41	110054	. Screw - Pan hd 6-32 x 3/8	2
42	66269	. Emblem - Fuel tank	1

SERVICE SPECIFICATIONS

Spark Plug - AC CS 42T (Standard)
 AC CS 42T (colder)
 Spark Plug Gap - .025 inch (.63 mm)
 Lamination Gap - .007 to .012 inch (.18 to .30 mm)
 Breaker Point Gap - .018 inch (.46 mm)
 Timing - 26° BTDC
 Carburetor Adjustment
 Idle mixture needle - 1 turn open (preliminary)
 Main mixture - Fixed high speed jet
 0 to 4000 feet - Jet No. 038
 3000 to 5500 feet - Jet No. 037
 4500 to 8000 feet - Jet No. 036
 7000 feet and above - Jet No. 035
 Clutch Engagement Speed - 2400 to 2800 R. P. M.
 Torques
 Connecting Rod Screws - 105 to 110 inch/pounds (121 to 127 cm/kg)
 Clutch Nut - 340 to 360 inch/pounds (392 to 416 cm/kg)
 Flywheel Nut - 375 to 425 inch/pounds (432 to 490 cm/kg)

MODEL 895C

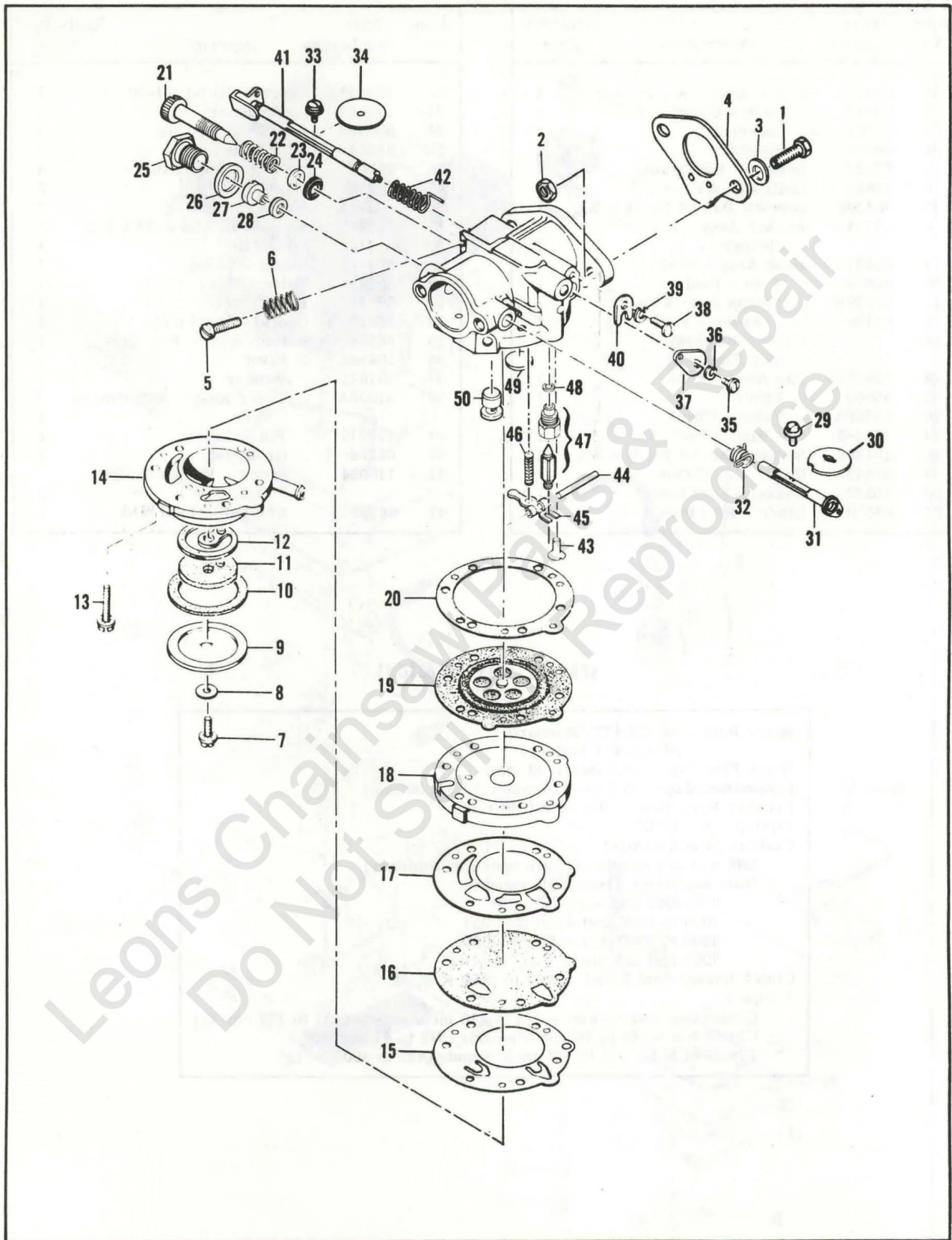


Figure 3. Carburetor Assembly

FIGURE 3. CARBURETOR ASSEMBLY

Item No.	Part Number	Description	Units Per Assy	Item No.	Part Number	Description	Units Per Assy
1	100882	Screw - Hex hd 1/4-20 x 3/4	2	25	84037	. Plug - Main fuel jet	1
2	103242	Nut - Hex 1/4-20	2	26	52941	. Gasket - Plug	1
3	100005	Washer - 1/4	2	27	90430	. Jet - Main fuel (038)	1
4	86286	Gasket - Carburetor	1		84059	. Jet - Main fuel (037)	Alt.
	86285	Carburetor Assy	1		90429	. Jet - Main fuel (036)	Alt.
5	52940	. Screw - Idle speed regulating	1		90427	. Jet - Main fuel (035)	Alt.
6	51705	. Spring - Idle speed screw	1	28	84036	. Gasket - Jet	1
7	50797	. Screw - Fuel strainer cover	1	29	51721	. Screw - Choke shutter (SEMS)	1
8	50798	. Gasket - Cover screw	1	30	84026	. Shutter - Choke	1
9	50796	. Cover - Fuel strainer	1	31	87227	. Shaft Assy - Choke	1
10	51704	. Gasket - Cover	1	32	87226	. Spring - Choke return	1
11	53717	. Filter - Fuel	1	33	51721	. Screw - Throttle shutter	1
12	53565	. Gasket - Filter	1	34	84041	. Shutter - Throttle	1
13	87230	. Screw Assy - Fil hd 6-32 x 3/4	6	35	51719	. Screw - Throttle lever	1
14	87224	. Body - Fuel pump	1	36	100261	. Lockwasher - #4	1
15	84030	. Diaphragm - Check valve	1	37	87231	. Lever - Throttle shaft	1
16	84029	. Diaphragm - Fuel pump	1	38	51717	. Screw - Throttle shaft clip	1
17	65592	. Gasket - Fuel pump	1	39	100252	. Lockwasher - #8	1
18	87225	. Cover - Diaphragm	1	40	51716	. Clip - Throttle shaft	1
19	66167	. Diaphragm - Metering	1	41	87228	. Shaft Assy - Throttle	1
20	65591	. Gasket - Diaphragm	1	42	87232	. Spring - Throttle return	1
21	87223	. Needle - Idle fuel mixture	1	43	66644	. Screw - Lever pin	1
22	52936	. Spring - Needle	1	44	84033	. Pin - Lever	1
23	52937	. Washer - Needle	1	45	84032	. Lever - Inlet valve	1
24	52938	. Packing - Needle	1	46	66404	. Spring - Lever	1
				47	84034	. Needle & Seat - Inlet	1
				48	51708	. Gasket - Inlet	1
				49	51583	. Plug - Welch 3/8 in.	1
				50	87229	. Valve Assy - Check	1

ACCESSORIES

Part Number	Description
61040	Wrench - Screwdriver Combination
64797	Wrench - Spark plug
101522	Wrench - Muffler
84381	Manual - Owners
85584	Socket - Extension
85583	Key - Splined socket
86419	Guide - Timing
90716	Valve - Muffler

MODEL 895C

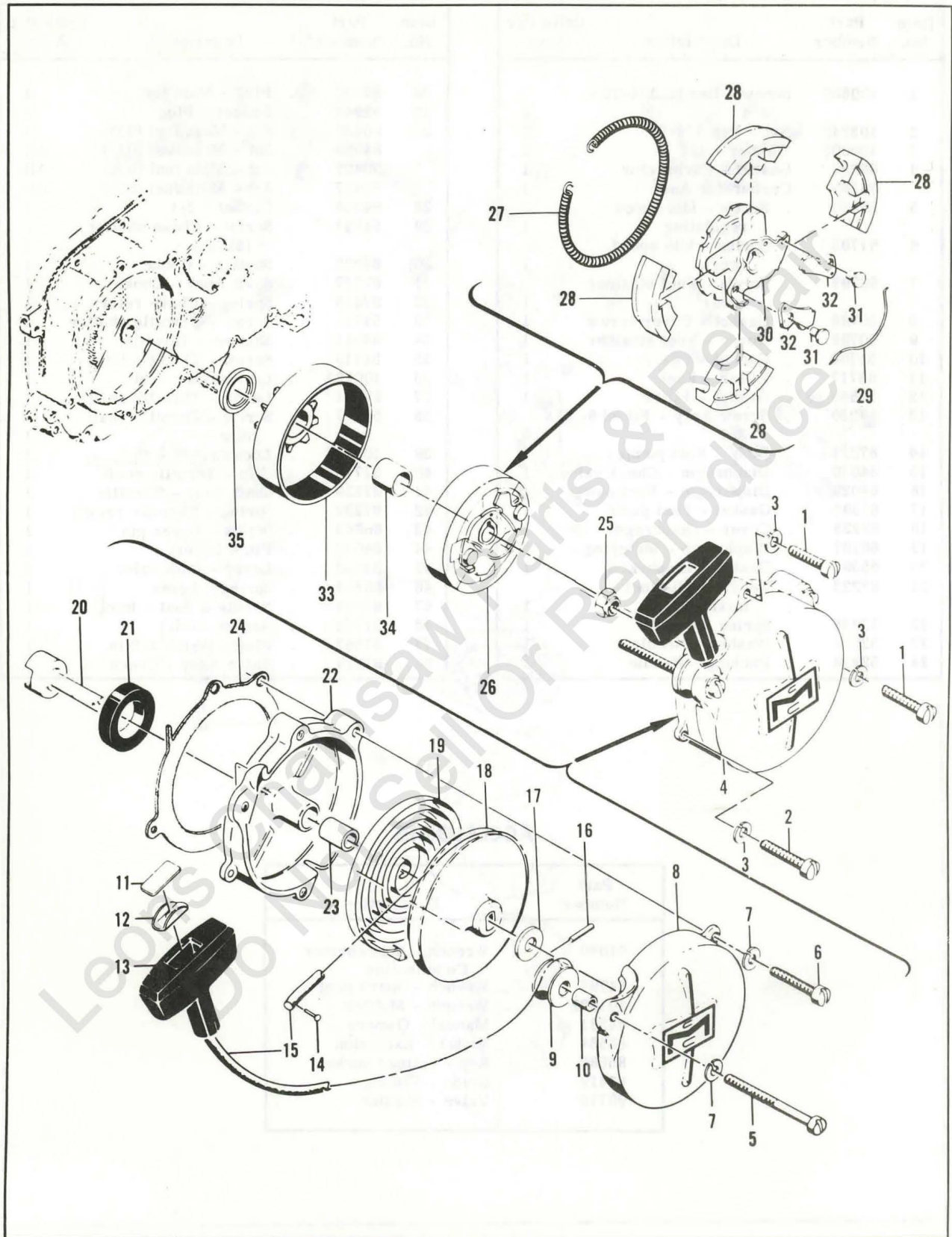
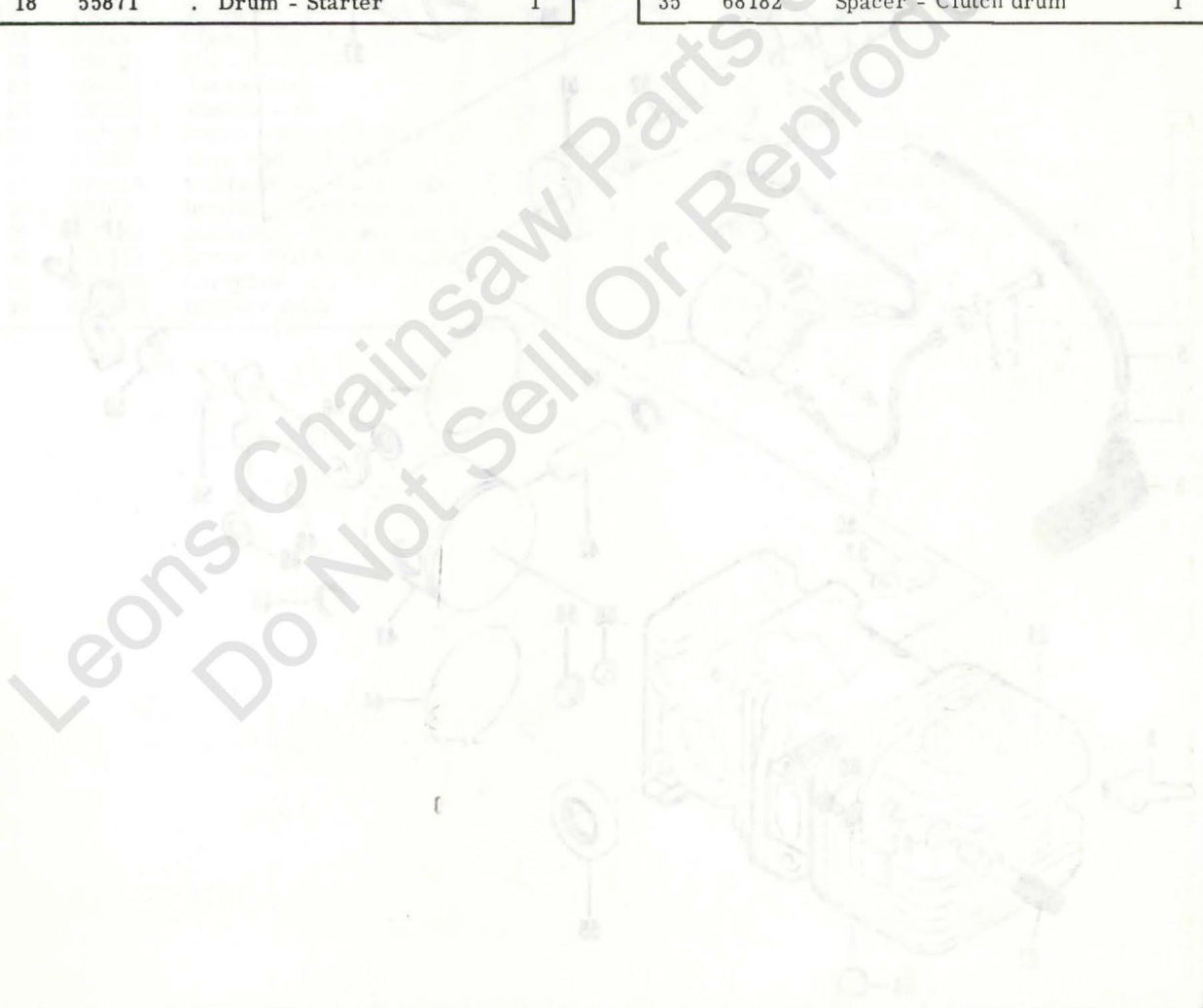


Figure 4. Starter and Clutch Assemblies

FIGURE 4. STARTER AND CLUTCH ASSEMBLIES

Item No.	Part Number	Description	Units Per Assy
1	102212	Screw - Fil hd 10-24 x 1-3/4	2
2	102135	Screw - Fil hd 10-24 x 2	1
3	101194	Lockwasher #10	3
4	53303	Starter Assy	1
5	103840	Screw - Fil hd 10-24 x 3-1/2	1
6	102135	Screw - Fil hd 10-24 x 2	2
7	101194	Lockwasher #10	3
8	55024B	Cover - Starter	1
9	51138	Pulley - Starter rope	1
10	103536	Bearing - Starter pulley	1
11	57232	Plate - Starter handle	1
12	57231	Cup - Starter handle	1
13	57230	Handle - Starter	1
14	101136	Rivet	1
15	28716	Rope - Starter	1
16	103047	Pin - Roll	1
17	104457	Washer - 3/8	1
18	55871	Drum - Starter	1

Item No.	Part Number	Description	Units Per Assy
19	51665	Spring - Rewind	1
20	55110A	Shaft - Starter	1
21	104439	Seal - Oil	1
22	65364	Base Assy - Starter	1
23	55591	Bearing - Starter base	1
24	55983	Gasket - Starter base	1
25	110918	Nut - Flexloc 3/8-24	1
26	61227	Clutch Assy	1
27	85042	Spring - Shoe retaining	1
28	61228	Shoe - Clutch	4
29	28766A	Spring - Starter pawl	1
30	61322	Rotor & Pawl Assy - Clutch	1
31	28917	Pin - Starter pawl	1
32	28765	Pawl - Starter	1
33	61321	Drum & Liner Assy - Clutch	1
34	51700	Bushing - Clutch drum	1
35	68182	Spacer - Clutch drum	1



MODEL 895C

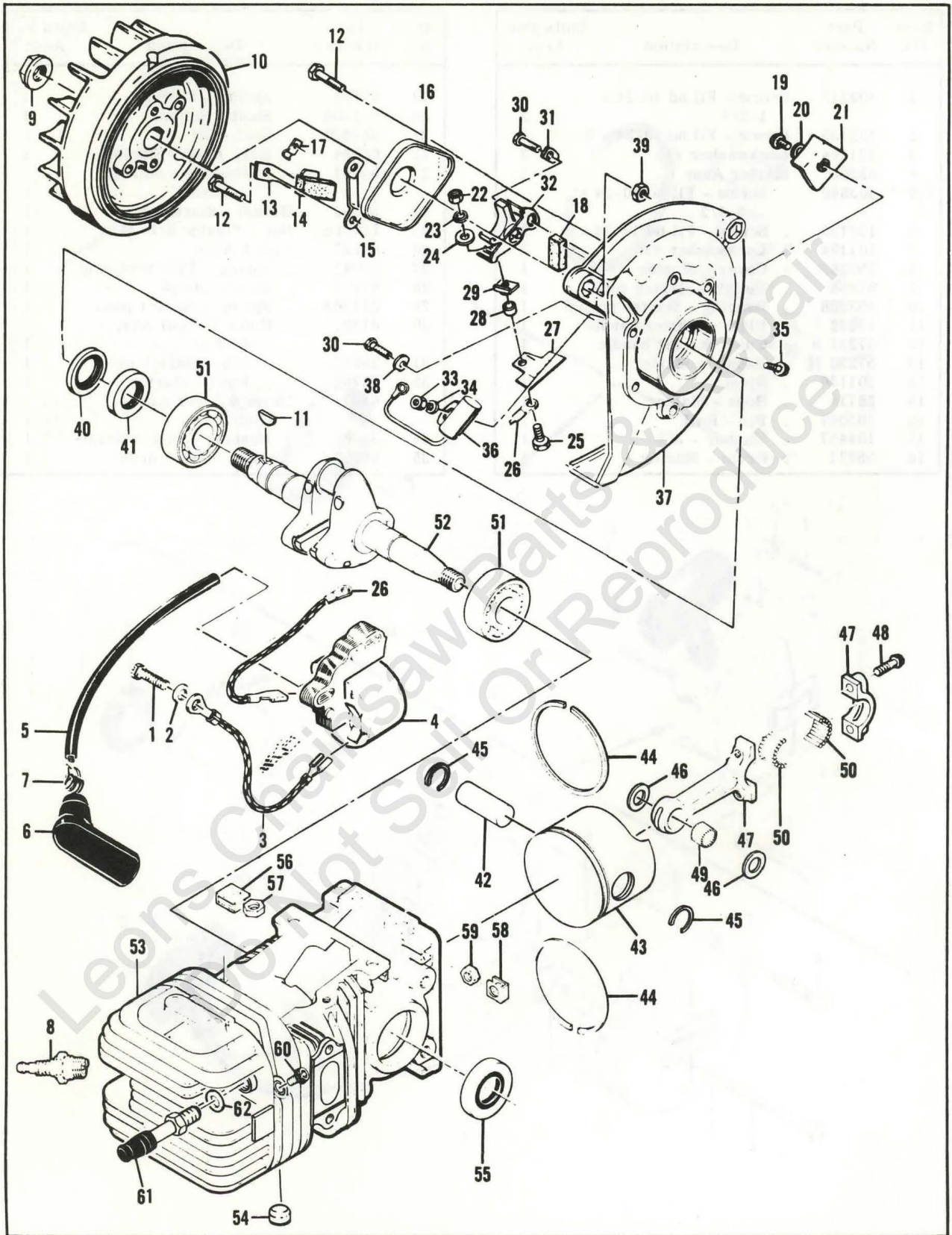


Figure 5. Powerhead Assembly

FIGURE 5. POWERHEAD ASSEMBLY

Item No.	Part Number	Description	Units Per Assy
1	110713	Screw - Skt hd 10-24 x 7/8	2
2	83745	Washer - #10	2
3	63639	Wire Assy - Ground	1
4	85243	Coil & Lamination Assy	1
5	50120	. Wire Assy - Spark plug	1
6	55060	. . Boot - Spark plug	1
7	55061	. . Connector - Spark plug	1
8	63432	Spark Plug - AC CS 42T	1
9	110655	Nut - Hex 7/16	1
10	68281	Flywheel Assy	1
11	103879	Key - Woodruff	1
12	110866	Screw - Hex hd 10-24 x 3/4	6
13	57815	Strap - Seal	1
14	50664	Seal - Breaker box	1
15	55977	Clip - Breaker box cover	2
16	55766B	Cover - Breaker box	1
17	104230	Speednut	1
18	54184	Wiper - Felt	1
19	110055	Screw - Hex hd 8-32 x 3/8	1
20	100080	Washer - #8	1
21	57829	Clamp - Ignition wire	1
22	104551	Nut - Hex 8-32	1
23	104553	Lockwasher	1
24	100080	Washer - #8	1
25	110338	Screw - Hex hd 8-32 x 1/2	1
26	63628	Wire Assy - Primary	1
27	55782A	Insulator - Primary wire	1
28	57769	Insulator - Ignition screw	1
29	57770A	Insulator - Breaker spring	1
30	104733	Screw - Fil hd 8-32 x 1/2	2
31	57767A	Lockplate	1
32	57765B	Breaker Assy	1

Item No.	Part Number	Description	Units Per Assy
33	100251	Nut - Hex 8-32	1
34	100057	Lockwasher - #8	1
35	103748	Screw - Hex hd 8-32 x 1/2	1
36	85358	Condenser	1
37	84193	Crankcase Cover Assy	1
38	55778E	. Washer - Breaker retainer	1
39	101326	. Nut - Hex 10-24	3
40	57897	. Seal - Oil	1
41	57898	. Seal - Oil	1
42	89204	Pin - Piston	1
43	89251	Piston Assy	1
44	89250	. Ring Set - Piston	1
45	85273	. Ring - Retaining	2
46	85266	Washer - Thrust	2
47	88623	Connecting Rod Assy	1
48	110720	. Screw - Spline hd special	2
49	85607	. Roller - Needle (Set of 22)	1
50	69891	. Roller - Needle	24
51	110883	Bearing - Ball	2
52	89222	Crankshaft	1
53	89265	Crankcase Assy	1
54	110685	. Plug - Cap	3
55	104432	. Seal - Oil	1
56	28053	. Retainer - Nut	2
57	101326	. Nut - Hex 10-24	2
58	18556A	. Retainer - Nut	6
59	105394	. Nut - Hex 1/4-20	6
60	110681	. Screw - Skt hd 10-24 x 1/4	1
61	85148	Valve - DSP	1
62	85505	Washer - Valve	1

Leons Chainsaw Parts & Repair
Do Not Sell

MODEL 895C

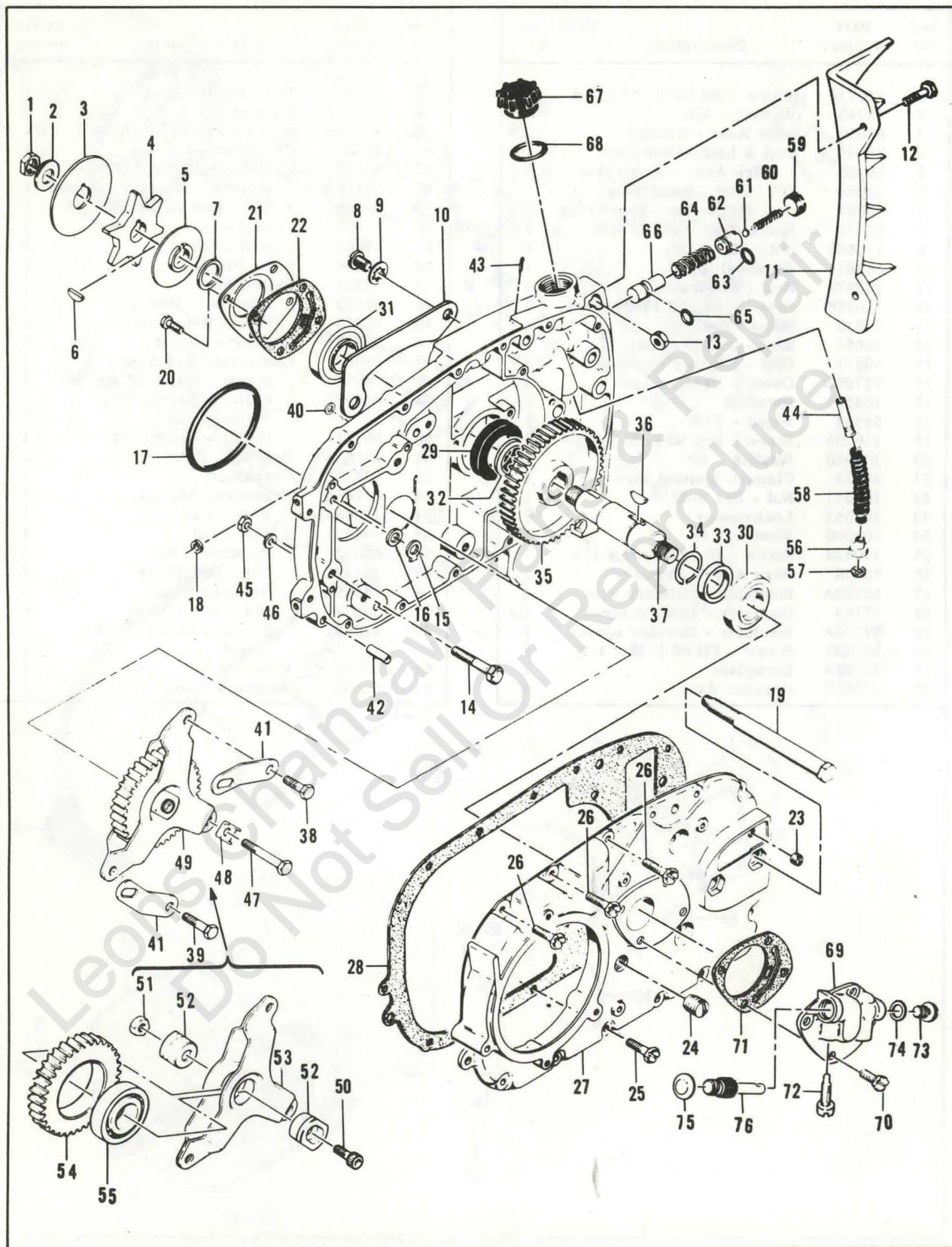


Figure 6. Transmission Assembly

FIGURE 6. TRANSMISSION ASSEMBLY

Item No.	Part Number	Description	Units Per Assy
1	60972	Nut - Special	1
2	100593	Washer - 7/16	1
3	51627	Plate - Chain guide	1
4	36791A	Sprocket - 7 tooth, 9/16 in. pitch	1
	36790A	Sprocket - 6 tooth, 9/16 in. pitch	Alt.
	36644A	Sprocket - 7 tooth, 1/2 in. pitch	Alt.
	36020B	Sprocket - 6 tooth, 1/2 in. pitch	Alt.
	52069A	Sprocket - 7 tooth, 0.404 in. pitch	Alt.
5	36019A	Shroud - Sprocket	1
6	100256	Key - Woodruff	1
7	55737	Spacer - Sprocket	1
8	102415	Screw - Pan hd 10-24 x 3/8 s/t	2
9	101194	Lockwasher - #10	2
10	61224	Cover - Pushrod	1
11	61783	Kit - Spike	1
12	100882	Screw - Hex hd 1/4-20 x 3/4	2
13	105394	Nut - Hex 1/4-20	2
14	102128	Screw - Hex hd 1/4-20 x 1-1/4	3
15	36306	Lockplate	1
16	100004	Washer - 1/4	1
17	104535	"O" Ring	1
18	57736	Washer - Oiler rod felt	1
	90678	Transmission Assy (2:1)	1
19	51631A	Bolt - Bar mounting	2
20	104835	Screw - Pan hd 10-24 x 1/2 (SEMS)	4
21	60408	Retainer - Bearing	1
22	60409	Gasket - Retainer	1
23	104869	Plug - Pipe 1/16-27	1
24	104218	Plug - Pipe 3/8-18	1
25	103464	Screw - Hex hd 10-24 x 3/4 (SEMS)	11
26	103947	Screw - Hex hd 10-24 x 1 (SEMS)	3
27	90677	Cover - Gearcase	1
28	68639	Gasket - Gearcase cover	1
29	104298	Seal - Oil	1
30	101039	Bearing - Ball	1
31	104422	Bearing - Ball	1
32	55715	Spacer - Gear	1
33	60407	Spacer - Gear	1
	60420	Shaft & Sprocket Gear Assy	1
34	104451	Ring - Retaining	1

Item No.	Part Number	Description	Units Per Assy
35	57999	Gear - Sprocket drive	1
36	55953	Key - Sprocket gear	1
37	60470A	Shaft - Sprocket	1
	60461	Gearcase Assy	1
38	103280	Screw - Hex hd 1/4-28 x 5/8	1
39	103413	Screw - Hex hd 1/4-28 x 1	1
40	30351884	Washer - 1/4	2
41	60186	Strap - Idler yoke	2
42	100993	Pin - Dowel	1
43	100010	Pin - Cotter	1
44	60389	Valve Assy - Check	1
45	100640	Nut - Hex 1/4-28	2
46	100004	Washer - 1/4	1
47	104351	Screw - Hex hd 1/4-28 x 1-13/32	1
48	55539	Lockplate - Yoke	1
49	55722	Gear and Yoke Assy	1
50	100201	Screw - Skt hd 1/4-28 x 1/2	1
51	100640	Locknut - Hex 1/4-28	1
52	57493	Hub - Bearing	2
53	53820	Yoke Assy	1
54	55728	Gear - Idler	1
55	100824	Bearing - Ball	1
56	51505	Weight Assy	1
57	51506	Screen - Pickup	1
58	28007	Hose - Pickup	1
59	51755	Plug - Oiler valve	1
60	51944	Spring	1
61	100549	Ball - Steel	1
	60622A	Body Assy - Oiler	1
62	57721B	Body - Oiler	1
63	105614	"O" Ring	1
64	19236	Spring - Oiler	1
	51472	Piston Assy - Oiler	1
65	105614	"O" Ring	1
66	36126	Piston - Oiler	1
67	57129A	Cap - Filler	1
68	101148	"O" Ring	1
69	60466D	Pump & Gasket Assy - Oiler (2:1)	1
70	110172	Screw - Fil hd 10-24 x 3/4 (SEMS)	4
71	60409	Gasket - Oiler pump	1
72	61398	Screw - Special	1
73	60959	Plug - Special	1
74	60964	Shim - 0.015 in.	AR
75	104791	Plug - Expansion 5/8 in.	1
76	61810	Plunger - Oiler pump (2:1)	1

MODEL 895C

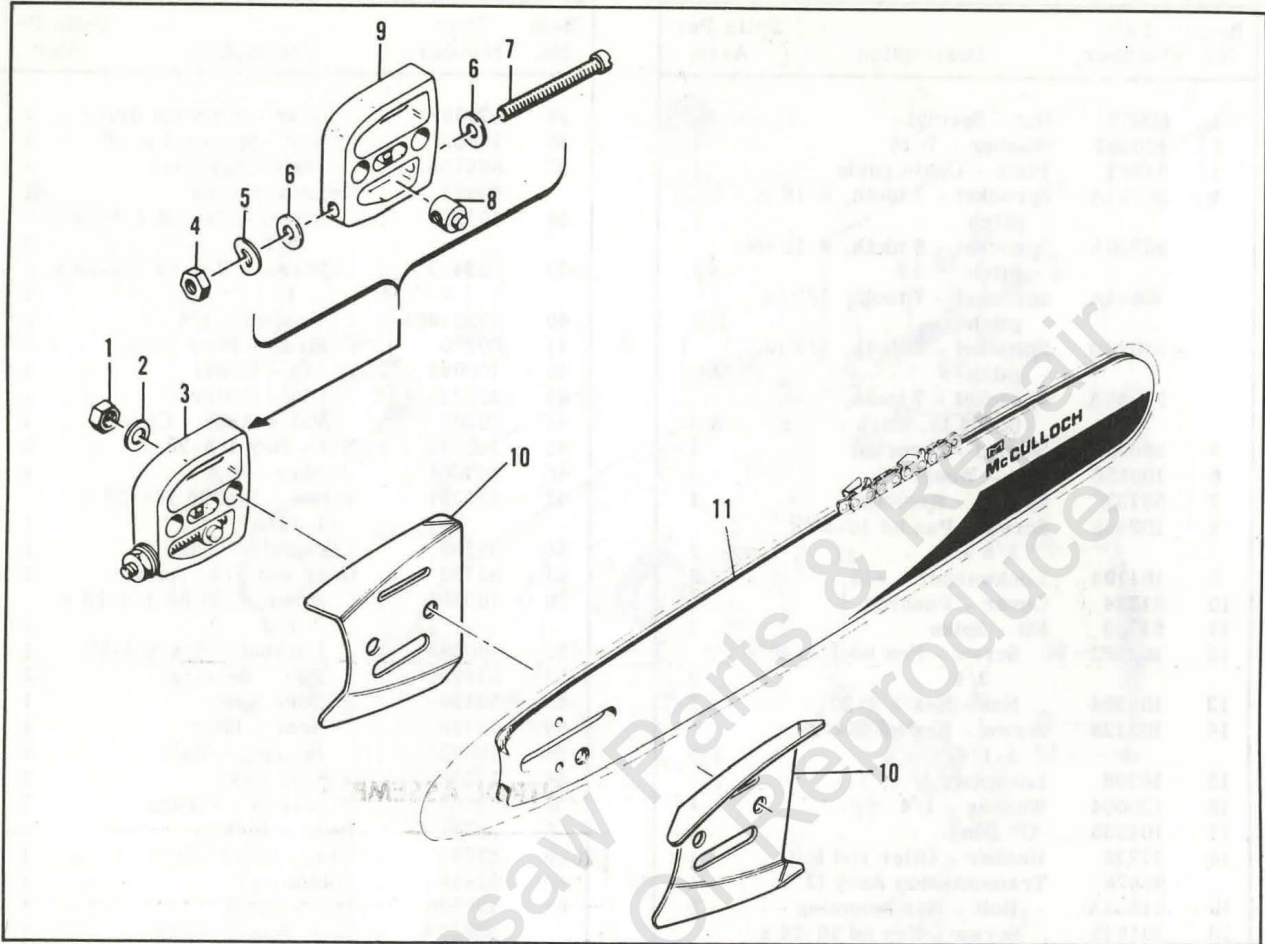


FIGURE 7. LOCKPLATE ADJUSTING ASSEMBLY

Item No.	Part Number	Description	Units Per Assy
1	110625	Nut - Hex 3/8-24	2
2	100393	Washer - 3/8	2
3	52211D	Lockplate Adjusting Assy	1
4	100640	. Nut - Hex 1/4-28	1
5	102813	. Washer - Spring	1
6	102843	. Washer - 1/4	2

Item No.	Part Number	Description	Units Per Assy
7	103919	. Screw - Fil hd 1/4-28 x 2-1/2	1
8	52207C	. Nut - Adjusting	1
9	52206B	. Lockplate	1
10	64935	Bar Plate	2
11		Bar & Chain	1

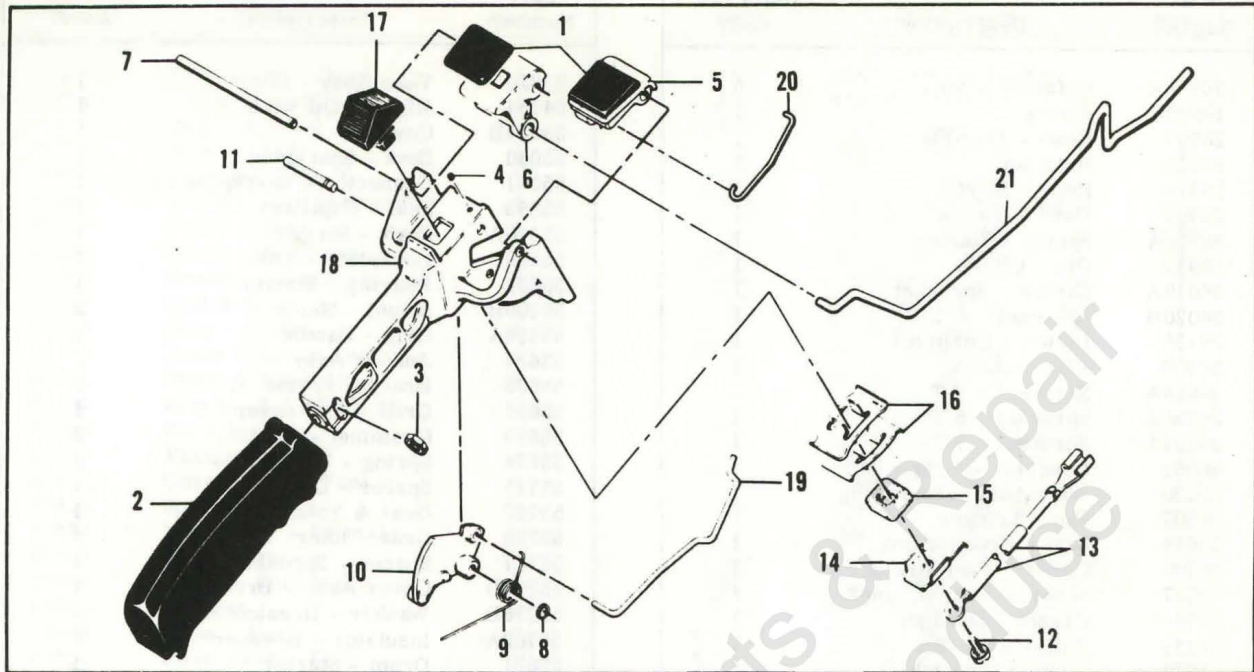


FIGURE 8. HANDLE AND CONTROL ASSEMBLY

Item No.	Part Number	Description	Units Per Assy
1	55670	Grommet	2
	64860	Handle & Control Assy	1
2	55624A	. Grip - Handle	1
3	101326	. Nut - Hex 10-24	1
4	104484	. Screw - Set 8-32 x 1/4	1
5	55968A	. Button - Primer control	1
6	55969A	. Button - Oiler control	1
7	51344A	. Shaft - Primer & oiler buttons	1
8	104501	. Retainer - Trigger pin	1
9	55674	. Spring - Trigger return	1
10	63663	. Trigger	1

Item No.	Part Number	Description	Units Per Assy
11	50507	. Pin - Trigger	1
12	110706	. Screw - Pan hd 8-18 x 1/2 (SEMS)	1
13	83661	. Wire Assy - Stop switch	1
14	51279	. Contact - Switch	1
15	51555	. Insulator - Switch	1
16	51554A	. Detent - Switch	2
17	57718	. Button - Switch	1
18	55986	. Handle	1
19	55873	Pushrod - Throttle	1
20	84319	Pushrod - Choke	1
21	57719	Pushrod - Oiler	1

Model 895C Numerical Order Parts List

Part Number	Description	Units Per Assy
18556A	Retainer - Nut	6
19236	Spring	1
28007	Hose - Flexible	1
28053	Retainer	2
28716	Rope - Starter	1
28765	Pawl - Starter	1
28766A	Spring - Starter	1
28917	Pin - Clutch	1
36019A	Shroud - Sprocket	1
36020B	Sprocket - 6 T	1
36126	Piston - Chain oil	1
36306	Plate - Lock	1
36644A	Sprocket - 7 T	1
36790A	Sprocket - 6 T	1
36791A	Sprocket - 7 T	1
50062	Insulator - Frame	4
50120	Wire Assy - Sparkplug	1
50507	Pin - Trigger	1
50664	Seal - Breaker box	1
50796	Cover - Fuel strainer	1
50797	Screw - Fuel strainer	1
50798	Gasket - Strainer	1
51138	Pulley - Starter	1
51279	Contact - Switch	1
51344A	Shaft - Oiler	2
51396A	Cover Assy - Adj	1
51472	Piston Assy - Oiler	1
51480	Plate - Lock	1
51505	Weight Assy - Oil	1
51506	Screen - Oil	1
51554A	Detent - Switch	2
51555	Insulator - Switch	1
51583	Plug - Body channel	1
51627	Plate - Chain guide	1
51631A	Bolt - Bar mounting	2
51660	Clamp - Frame	1
51665	Spring - Rewind	1
51700	Bushing - Clutch	1
51704	Gasket - Fuel strainer	1
51705	Spring - Idle scr	1
51708	Gasket - Inlet	1
51716	Clip - Throttle	1
51717	Screw - Fl 8-32	1
51719	Screw - Throttle	1
51721	Screw - Rd 4-40	2
51755	Plug - Oiler valve	1
51944	Spring - Inlet	1
52069A	Sprocket - 7 T	1
52206B	Plate - Bar adj	1
52207C	Nut - Bar adj	1
52211D	Plate Assy - Bar	1
52936	Spring - Adj	1
52937	Washer - Adj	1
52938	Packing - Adj	1
52940	Screw - Idle speed	1
52941	Gasket - Inlet	1
53303	Starter Assy	1
53565	Gasket - Fuel filter	1
53679B	Pickup Assy - Fuel	1
53684A	Insulator - Fuel	1
53717	Element - Fuel	1
53766A	Valve - Check	1

Part Number	Description	Units Per Assy
53820	Yoke Assy - Idler	1
54184	Wiper - Oil wick	1
55024B	Cover	1
55080	Boot - Sparkplug	1
55061	Connector - Sparkplug wire	1
55063	Seal - Capillary	1
55110A	Shaft - Starter	1
55539	Lockplate - Yoke	1
55591	Bearing - Starter	1
55606B	Mount - Shock	2
55624A	Grip - Handle	1
55634	Anchor Assy	1
55638	Brace - Frame	1
55659	Grill - A/C cover	1
55670	Grommet - Cont.	2
55674	Spring - Trigger	1
55715	Spacer - Gear	1
55722	Gear & Yoke Assy	1
55728	Gear - Idler	1
55737	Spacer - Sprocket	1
55766B	Cover Assy - Breaker	1
55778B	Washer - Breaker	1
55782A	Insulator - Breaker	1
55871	Drum - Starter	1
55873	Pushrod - Throttle	1
55934B	Cap Assy - Fuel	1
55948A	Screw - Hx 10-24	4
55953	Key - Sprocket	1
55968A	Button - Choke	1
55969A	Button - Oiler	1
55977	Clip - Breaker box	2
55983	Gasket - Starter	1
55986	Handle	1
57129A	Cap - Oiler	1
57230	Handle - Starter	1
57231	Cup - Starter	1
57232	Plate - Starter	1
57493	Hub - Idler gear	2
57718	Kit - Stop switch	1
57719	Pushrod - Oiler	1
57721B	Body Check Valve	1
57736	Seal - Push rod	1
57767A	Plate - Lock	1
57769	Insulator - Ignition	1
57770A	Insulator - Breaker	1
57815	Strap - Seal	1
57829	Clamp - Ignition wire	1
57897	Seal - Oil	1
57898	Seal - Oil	1
57999	Gear - Sprocket	1
59445	Decal - Oiler	1
60186	Strap - Idler yoke	2
60243	Knob - A/C cover	1
60389	Valve Assy - Check	1
60407	Spacer - Gear	1
60408	Retainer - Bearing	1
60409	Gasket - Oiler	2
60420	Shaft & Gear Assy	1
60427A	Cover Assy - Air	1
60461	Gearcase Assy	1
60466D	Pump Assy - Oiler	1
60470A	Shaft - Sprocket	1

Model 895C Numerical Order Parts List (continued)

Part Number	Description	Units Per Assy
60622A	Body Assy - Check	1
60766A	Frame & Grip Assy	1
60959	Plug - Special	1
60964	Shim - .015	1
60972	Nut - Hx 7/16-20	1
61040	Wrench - Screwdriver	1
61159	Filter - Fuel	1
61224	Cover - Push rod	1
61225	Bracket - Gearcase	1
61227	Clutch Assy	1
61228	Shoe - Clutch	4
61321	Drum & Liner Assy	1
61322	Rotor & Pawl Assy	1
61398	Screw - Fil 10-32	1
61783	Kit - Spike	1
61810	Plunger - Oiler	1
62442A	Cover Assy - Fuel	1
63432	Sparkplug	1
63628	Wire Assy - Primary	1
63639	Wire Assy	1
63650	Liner - Fuel tank	1
63663	Trigger	1
63669	Hose - Fuel	1
63831	Hose Assy - Fuel	1
64797	Wrench - Sparkplug	1
64860	Handle & Control	1
64935	Plate - Slim line	2
65364	Base Assy	1
65591	Gasket - Diaphragm	1
65592	Gasket - Fuel pump	1
65632	Gasket - Fuel	1
65654	Gasket - Crankcase	1
65743	Cover - Crankcase	1
66167	Diaphragm Assy	1
66269	Emblem - Dsp fuel	1
66404	Spring - Inlet	1
66644	Screw - Inlet pin	1
67477	Gasket - Fuel tank	1
67931	Screen Assy - Air cleaner	1
68182	Spacer - Clutch	1
68203	Washer - Insulating	4
68258	Grommet - Bellows	2
68281	Flywheel	1
68639	Gasket - Trans	1
68654	Plate - Lock fuel	1
69891	Roller - Needle	24
83367	Retainer - 1/4	1
83661	Wire Assy - Stop	1
83745	Washer - #10	2
84026	Shutter - Choke	1
84029	Diaphragm - Fuel pump	1
84030	Diaphragm - Fuel	1
84032	Lever - Inlet	1
84033	Pin - Lever	1
84034	Seat & Gasket	1
84036	Gasket - Main fuel	1
84037	Screw - Main jet	1
84041	Shutter - Throttle	1
84059	Jet - Main fuel	1
84193	Cover Assy - Crank	1
84319	Rod - Choke	1
84381	Manual - Owners	1

Part Number	Description	Units Per Assy
84690	Baffle Assy - Muffler	1
85042	Spring - Clutch	1
85117	Muffler Assy	1
85121	Screw - Shoulder	3
85148	Valve - Comp. rel.	1
85243	Coil & Lamination Assy	1
85266	Washer - Thrust	2
85273	Ring - Retaining	2
85358	Condenser	1
85376	Kit - Spark plug	1
85505	Washer - Valve	1
85583	Key - Spline skt	1
85584	Wrench - Spline	1
85607	Needle Roller	1
85929	Kit - Exhaust deflector	1
86284	Plate - Reed	1
86285	Carburetor Assy	1
86286	Gasket - Carburetor	1
86292	Gasket - Fuel tank	1
86293	Valve - Reed	1
86294	Stop - Reed	1
86296	Bottom Assy - Fuel	1
86419	Guide - Timing	1
87223	Screw - Idle adj	1
87224	Body - Fuel pump	1
87225	Cover - Diaphragm	1
87226	Spring - Choke	1
87227	Shaft Assy - Choke	1
87228	Shaft Assy - Throttle	1
87229	Valve Assy - Check	1
87230	Screw - Fil 6-32	6
87231	Lever - Throttle	1
87232	Spring - Throttle	1
87249	Guard - Flywheel	1
88623	Rod Assy - Connecting	1
88807	Breaker Assy	1
89204	Pin - Piston	1
89222	Crankshaft	1
89224	Gasket - Muffler	1
89242	Housing & Cover Assy	1
89250	Set - Piston ring	1
89251	Piston Assy	1
89265	Cylinder Assy	1
89287	Shroud Assy - Cylinder	1
89373	Skid - Handle	1
90427	Orifice - Fixed	1
90429	Orifice - Fixed	1
90430	Orifice - Fixed	1
90673	Guard - Muffler	1
90675	Nameplate	1
90677	Cover - Gearcase	1
90678	Transmission Assy	1
90716	Valve - Muffler	1
100004	Washer - Plain	2
100005	Washer - Plain	3
100010	Pin - Cotter	1
100057	Washer - Lock	1
100080	Washer - Plain	2
100201	Screw - Skt	1
100248	Nut - Hx 1/4-28	1
100251	Nut - Hx 8-32	1
100252	Washer - Lock	1

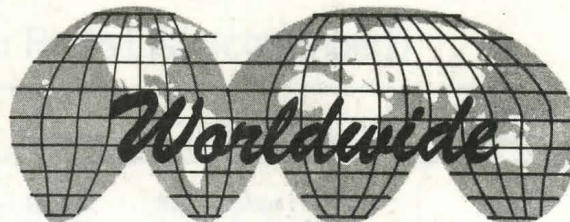
Model 895C Numerical Order Parts List (continued)

Part Number	Description	Units Per Assy
100256	Key - Woodruff	1
100261	Washer - Lock	1
100393	Washer	2
100549	Ball	1
100593	Washer - Plain	1
100633	Screw - Skt	1
100640	Nut - Hx lock 1/4	4
100824	Bearing - Ball	1
100882	Screw - Hx 1/4-20	6
100993	Pin - Dowel	1
101039	Bearing - Ball	1
101136	Rivet - Rd	1
101148	O Ring	1
101191	Nut - Hx lock	6
101194	Washer - Lock	5
101326	Nut - Hx lock	10
101348	O Ring	1
101522	Wrench - Muffler	1
101871	Washer - Plain	1
101982	Screw - Hx 1/4-20	6
102067	Nut - Hx lock	2
102125	Screw - Hx 1/4-20	2
102128	Screw - Hx 1/4-20	3
102135	Screw - Fil 10-24	3
102189	Washer - Plain	4
102212	Screw - Fil 10-24	2
102415	Screw - Pan 10-24	2
102500	Screw - Pan 10-24	1
102761	Screw - Hx 10-24	2
102813	Washer - Spring	1
102843	Washer - Plain	2
103047	Pin - Roll	1
103242	Nut - Hx lock	2
103280	Screw - Hx 1/4-28	1
103413	Bolt - Hx 1/4-28	1
103464	Screw - Hx 10-24	11
103536	Bearing - Starter	1
103740	Screw - Hx 8-32	2
103744	Washer - Sealing	2
103748	Screw - Hx 8-32	1
103840	Screw - Fil 10-24	1
103879	Key - Woodruff	1
103919	Screw - Fil 1/4-28	1
103923	Clamp - 1.00 dia	2
103947	Screw - Hx 10-24	3
104218	Plug - Pipe 3/8	1

Part Number	Description	Units Per Assy
104230	Nut - Speed	1
104298	Seal - Oil	1
104310	Pin - Cotter	1
104351	Screw - Hx 1/4-28	1
104393	Screw - Pan 10-24	4
104396	Screw - Pan 10-24	15
104397	Screw - Pan 10-24	1
104422	Bearing - Ball	1
104432	Seal - Double lip	1
104439	Seal - Oil	1
104451	Ring - External	1
104457	Washer - Spacer	1
104484	Screw - Set 8-32	1
104501	Retainer - Trigger	1
104504	Rivet - Rd 1/8	1
104535	O Ring	1
104551	Nut - Hx 8-32	1
104553	Washer - Lock	1
104733	Screw - Fil 8-32	2
104791	Plug - Exp .625	1
104816	Screw - Hx 10-24	3
104835	Screw - Pan 10-24	4
104869	Plug - Pipe 1/16	1
105043	Washer - Spring lock	1
105367	Nut - Hx 10-24	2
105394	Nut - Hx 1/4-20	9
105614	O Ring	2
110054	Screw - Pan 6-32	2
110055	Screw - Fil 8-32	1
110172	Screw - Fil 10-24	4
110338	Screw - Hx 8-32	1
110581	Screw - Hx 10-24	3
110625	Nut - Hx 3/8-24	2
110655	Nut - Flange 7/16	1
110664	Screw - Skt 10-24	2
110681	Screw - Skt 10-24	1
110685	Plug - Cup	3
110706	Screw - Pn 8-18	1
110713	Screw - Skt 10-24	4
110717	Screw - Hx 10-32	3
110720	Screw - Connecting rod	2
110866	Screw - Washer Hx	6
110883	Bearing - Ball	2
110918	Nut - 3/8-24	1
30351884	Washer	2



McCULLOCH



● MANUFACTURING ● SALES ● SERVICE ●

McCULLOCH CORPORATION

6101 WEST CENTURY BLVD., LOS ANGELES, CALIFORNIA 90045

INTERNATIONAL DIVISIONS:

LOS ANGELES, CALIF., P.O. BOX 45466

SINGAPORE, 431-432 PEOPLE'S PARK COMPLEX

SÃO PAULO, BRAZIL, CAIXA POSTAL 7658

McCULLOCH OF CANADA LTD.

6338 VISCOUNT ROAD, MALTON, ONTARIO, CANADA

McCULLOCH OF EUROPE, N. V.

GEERDEGEM SCHONENBERG, 299 2800 MECHELEN, BELGIUM

McCULLOCH OF AUSTRALIA PTY., LTD.

P.O. BOX 223, SEVEN HILLS, N.S.W. 2147, AUSTRALIA

Leons Chair...
Do Not Sell...
Parts & Repair
Reproduce