

# ILLUSTRATED PARTS LIST

MODELS	SERIAL NUMBER PREFIX
400175D	-13
400176D	-11

## MODEL 795L POWER UNIT

Model 795 Power Units are identified by a model number (400175 or 400176) followed by a suffix letter (D) stamped on the identification plate attached to the unit.

Part numbers which have one or more dots (.) preceding their description may be ordered individually but they are also included in the kit or assembly whose description begins directly above the dot(s).



JULY 1976

### - CONTENTS -

The policy of McCulloch Corporation is one of continual improvement in design, manufacturing and engineering advancement wherever possible to assure still finer two-cycle power tools. Hence, specifications, equipment, colors, design and manufacturer's suggested list prices are subject to change without notice and McCulloch Corporation reserves the right to make such changes without prior notification or obligation to backfit or supply backfit components for units previously shipped from the factory.

	Page
Figure 1. General .....	2
Figure 2. Fuel System .....	4
Figure 3. Handle & Control Assembly ..	6
Figure 4. Starter Assembly .....	6
Figure 5. Carburetor Assembly .....	8
Figure 6. Powerhead Assembly .....	10
Accessories .....	3
Service Specifications .....	9
Attachments .....	12



# MODEL 795L POWER UNIT

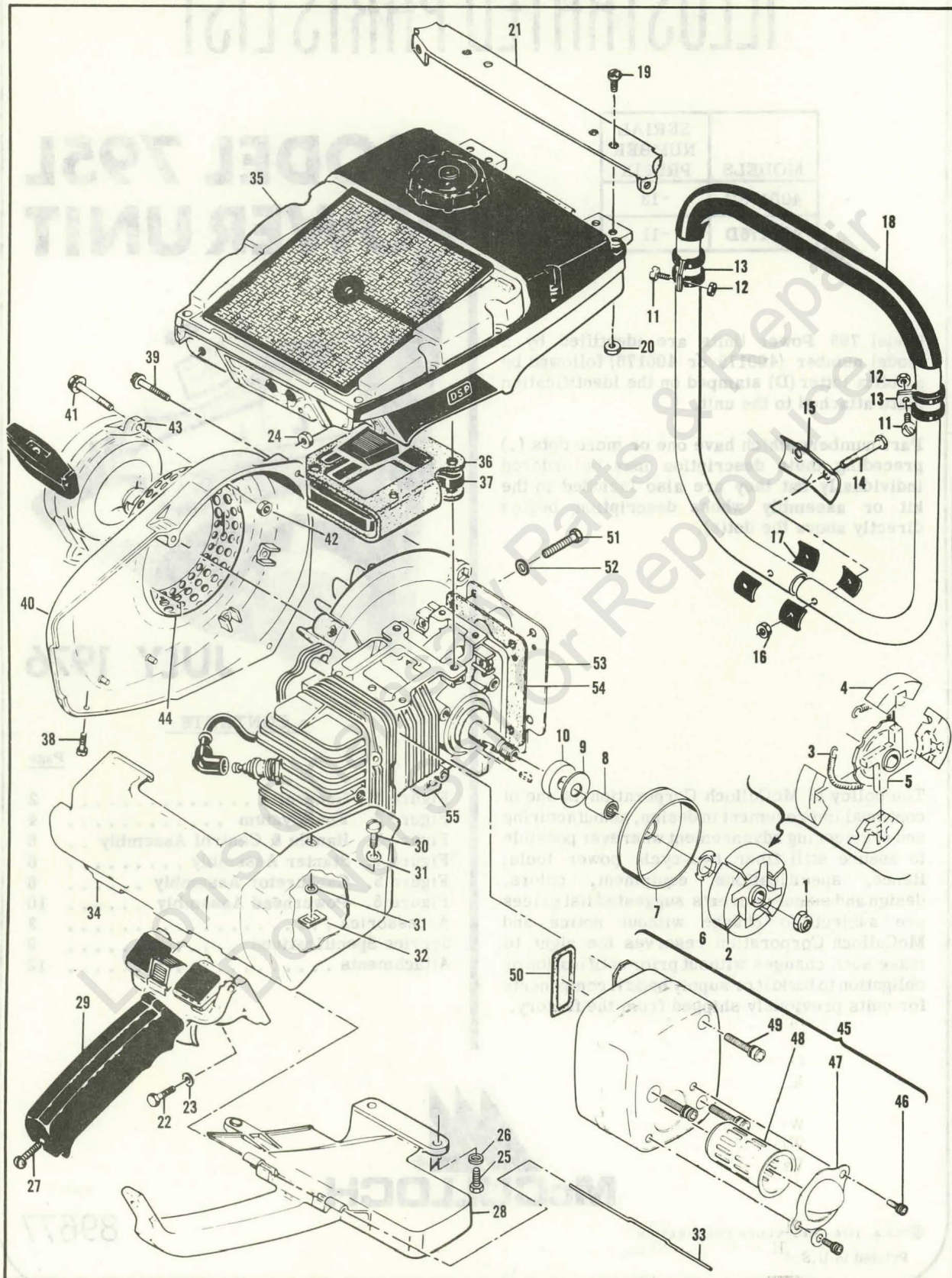


Figure 1. General

# MODEL 795L POWER UNIT

Figure 1. General

Item No.	Part Number	Description	Units Per Assy	Item No.	Part Number	Description	Units Per Assy
1	86113	Nut-Hx 3/8-24 Left hand	1	29		Handle & Control Assy(Fig 3)	
2	89227	Clutch Assy	1	30	51351	Screw-Special	1
3	85042	. Spring-Clutch	1	31	100005	Washer-1/4	2
4	51464A	. Shoe-Clutch	4	32	103741	Retainer	1
5	89226	. Rotor Assy-Clutch	1	33	55885	Pin-Shroud	1
6	103718	Spring-Thrust	1	34	89629	① Shroud Assy	1
7		Drum-Clutch	1	(34)	66259	② Shroud Assy	1
8		Bearing	1	35		Fuel System (Fig 2)	
9	51420	Washer	1	36	65625	Gasket-Fuel tank insulator	1
10	57785A	Seal-Felt	1	37	53684A	Insulator-Fuel tank	1
11	102761	Screw-Hx hd 10-24 x 7/8	2	38	102500	Screw-Pan hd 10-24 x 1/2	1
12	105367	Nut-Hx 10-24	2	39	110910	Screw-Hx hd 10-24 x 1-3/8	3
13	103923	Clamp-Frame	2	40	89619	① Housing-Fan	1
14	102125	Screw-Hx hd 1/4-20 x 1-3/4	2	(40)	89241	② Housing-Fan	1
15	51362	Clamp-Frame	1	41	110911	Screw-Hx hd 10-24 x 7/8	3
16	105394	Nut-Hx 1/4-20	2	42	101326	Nut-Hx 10-24	3
17	50062	Insulator-Frame	4	43		Starter Assy (Fig 4)	
18	60231A	Frame & Grip Assy	1	44	84629	Guard-Sawdust	1
19	104393	Screw-Pan hd 10-24 x 3/8	4	45	84205	Muffler Assy	1
20	101326	Nut-Hx 10-24	4	46	110664	. Screw-Skt hd 10-24 x 3/8	2
21	83363	Brace-Frame	1	47	84203	. Deflector	1
22	102761	Screw-Hx hd 10-24 x 7/8	2	48	84690	. Baffle	1
23	102189	Washer-#10	2	49	110713	. Screw-Skt hd 10-24 x 7/8	3
24	102067	Nut-Hx 10-24	2	50	83379	Gasket-Muffler	1
25	102121	Screw-Hx hd 1/4-20 x 7/8	2	51	101982	Screw-Hx hd 1/4-20 x 1	4
26	100005	Washer-1/4	2	52	100311	Washer	4
27	104397	Screw-Pan hd 10-24 x 7/8	1	53	89622	① Cover-Crankcase bottom	1
28	89630	① Brace-Handle	1	(53)	67254	② Cover-Crankcase bottom	1
(28)	57872	② Brace-Handle	1	54	65654	Gasket-Bottom cover	1
				55		Powerhead Assy (Fig 6)	

- ① Used on model number 400175D (Blue).
- ② Used on model number 400176D (Yellow).

## Accessories

Part Number	Description
63097	Spark Plug (Standard)
63432	Spark Plug (Cooler)
86419	Guide - Timing
84688	Kit - Spark arrester baffle (for Muffler Kit 85205)
64797	Wrench - Spark plug
101522	Wrench - Muffler
90716	Valve - Muffler
Wide Ring	
62884	Piston Assy-0.030 in. oversize
62423	. Ring Set-0.030 in. oversize

Part Number	Description
Thin Ring	
62877	Piston Assy-Standard size
58353	. Ring Set-Standard size
62878	Piston Assy-0.010 in. oversize
58394	. Ring Set-0.010 in. oversize
62879	Piston Assy-0.020 in. oversize
58354	. Ring Set-0.020 in. oversize
62880	Piston Assy-0.030 in. oversize
58395	. Ring Set-0.030 in. oversize

# MODEL 795L POWER UNIT

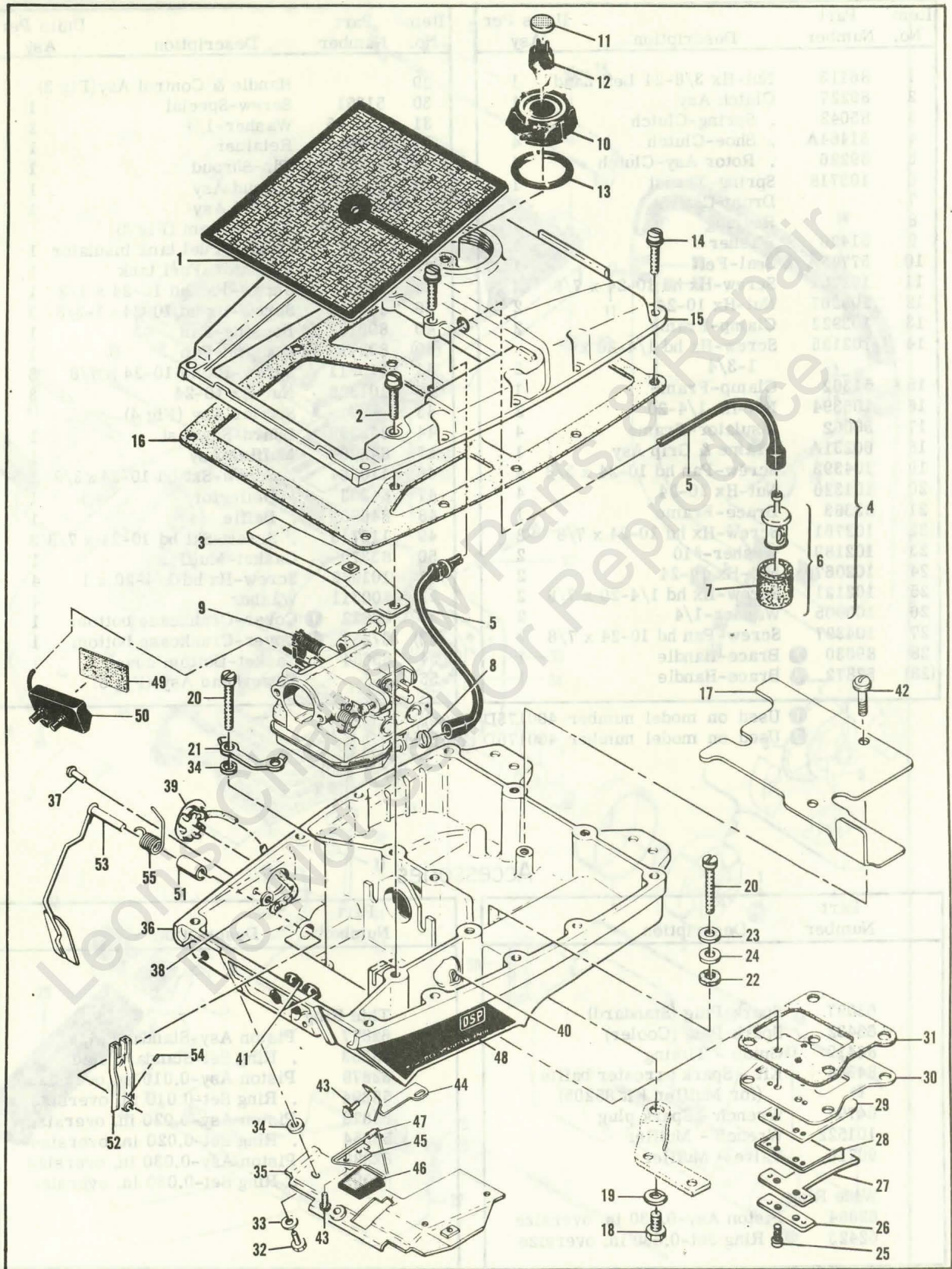


Figure 2. Fuel System

# MODEL 795L POWER UNIT

Figure 2. Fuel System

Item No.	Part Number	Description	Units Per Asy	Item No.	Part Number	Description	Units Per Asy
1	55498	Screen Asy-Air cleaner	1	31	65657	Gasket-Fuel tank	1
2	104396	Screw-Pan hd 10-24 x 3/4	1	32	102388	Screw-Hx hd 10-24 x 5/8	3
3	55634	Anchor Asy	1	33	102189	Washer-#10	3
4	63831	Hose Asy-Fuel	1	34	68203	Washer-Insulating	2
5	63669	. Hose-Fuel	1	35	63652	Shroud Asy-Cylinder	1
6	53679B	. Pickup Asy-Fuel	1	36	89627	① Bottom Asy-Fuel tank	1
7	61159	. . Filter-Fuel pickup	1	(36)	63873	② Bottom Asy-Fuel tank	1
8	91068	Clamp-Hose	1	37	104504	. Rivet	1
9		Carburetor Asy (Fig 5)		38	101871	. Washer-1/8	1
10	55934B	Cap Asy-Fuel	1	39	51396A	. Cover Asy-Adjustment hole	1
11	55063	. Filter-Fuel cap	1	40	104310	. Pin-Cotter	1
12	53766A	. Valve-Fuel cap	1	41	68258	. Grommet	2
13	101348	"O" Ring	1	42	110054	. Screw-Pan hd 6-32 x 3/8 (SEMS)	2
14	104396	Screw-Pan hd 10-24 x 3/4	14	43	105249	. Screw-8-32 x 3/8(SEMS)	3
15	89636	① Cover-Fuel tank	1	44	64582	Retainer-Lever	1
(15)	89687	② Cover-Fuel tank	1	45	63619	Plate-Lever retainer	1
16	65632	Gasket-Fuel tank	1	46	63914A	Lever Asy-Compression release	1
17	63650	Liner-Fuel tank	1	47	63827	Spring-Lever	1
18	102151	Screw-Hx hd 1/4-20 x 1/2	1	48	66269	Emblem-Fuel tank (DSP)	1
19	105043	Washer-Lock	1	49	58865	Absorber	1
20	55948A	Screw-Hx hd 10-24 x 1-1/8	4	50	63651	Collector	1
21	68654	Plate-Lock	1	51	103708	Bushing	1
22	68203	Washer-Insulating	4	52	61754	Lever Asy-Governing arm	1
23	102189	Washer-#10	2	53	55958	Arm Asy-Governing	1
24	103744	Washer-Sealing	2	54	104154	Screw-Skt hd 8-32 x 1/4	1
25	103740	Screw-Hx hd 8-32 x 5/8	2	55	61757	Spring-Governing	1
26	51480	Plate-Lock	1				
27	57658A	Clamp-Reed	1				
28	66274	Deflector-Fuel	1				
29	48593	Valve-Reed	1				
30	53685C	Plate-Reed	1				

- ① Used on model number 400175D (blue).  
 ② Used on model number 400176D (yellow).



# MODEL 795L POWER UNIT

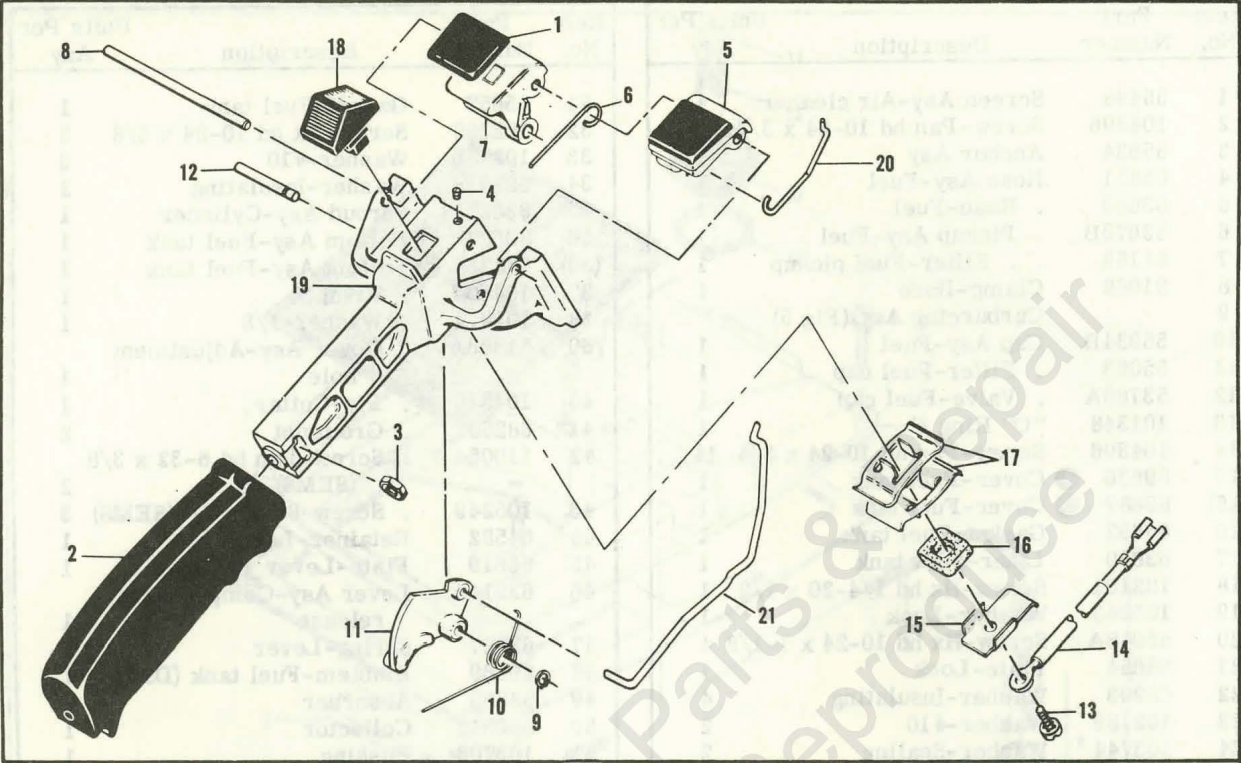


Figure 3. Handle & Control Assembly

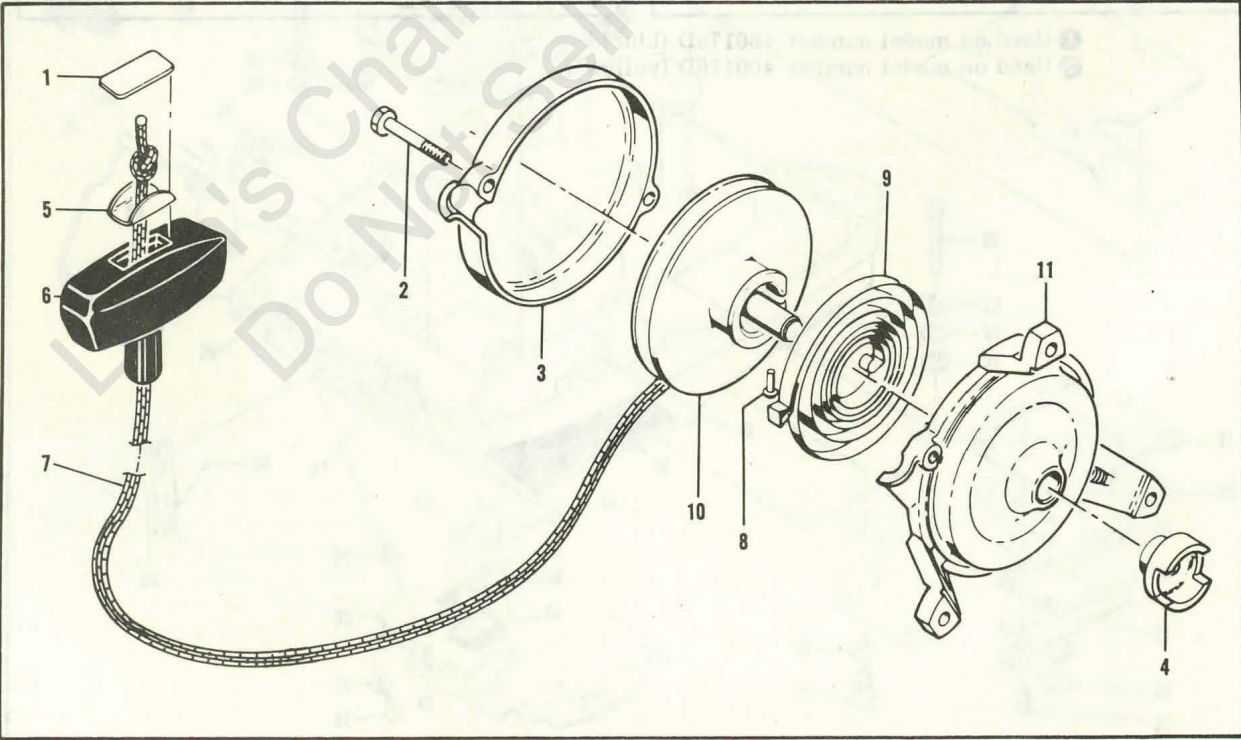


Figure 4. Starter Assembly

# MODEL 795L POWERUNIT

Figure 3. Handle & Control Assembly

Item No.	Part Number	Description	Units Per Asy
1	55670	Grommet	2
	89632	① Handle & Control Asy	1
	64860	② Handle & Control Asy	1
2	55624A	. Grip-Handle	1
3	101326	. Nut-Hx 10-24	1
4	104484	. Screw-Set 8-32 x 1/4	1
5	89635	① . Button-Choke	1
(5)	89377	② . Button-Choke	1
6	85573	③ . Retainer-Oiler button	1
7	89634	① . Button-Oiler control	1
(7)	89378	② . Button-Oiler control	1
8	51344A	. Shaft-Choke & Oiler buttons	1
9	104501	. Retainer-Trigger pin	1

Item No.	Part Number	Description	Units Per Asy
10	55674	. Spring-Trigger pin	1
11	63663	. Trigger	1
12	50507	. Pin-Trigger	1
13	110706	. Screw-Fil hd 8-32 x 1/2 (SEMS)	1
14	83661	. Wire Asy-Stop switch	1
15	51279	. Contact-Switch	1
16	51555	. Insulator-Switch	1
17	51554A	. Detent - Switch	2
18	57718	. Button-Switch	1
19	55986	. Handle	1
20	84319	Pushrod-Choke	1
21	61907	Pushrod-Throttle	1

- ① Used on model number 400175D (Blue).
- ② Used on model number 400176D (Yellow).
- ③ Not included in Handle & Control Asy, P/N 64860.

Figure 4. Starter Assembly

Item No.	Part Number	Description	Units Per Asy
	89606	① Starter Asy	1
	84211	② Starter Asy	1
1	57232	. Plate-Starter handle	1
2	104396	. Screw-Pan hd 10-24 x 3/4	2
3	60647	. Cover - Starter	1
4	57790	. Ratchet - Starter	1

Item No.	Part Number	Description	Units Per Asy
5	57231	. Cup - Starter handle	1
6	57230	. Handle-Starter	1
7	28716	. Rope-Starter	1
8	101136	. Rivet	1
9	51665	. Spring - Rewind	1
10	57792	. Drum-Starter	1
11	84212	. Base-Starter	1

- ① Used on model number 400175D (Blue).
- ② Used on model number 400176D (Yellow).

# MODEL 795L POWER UNIT

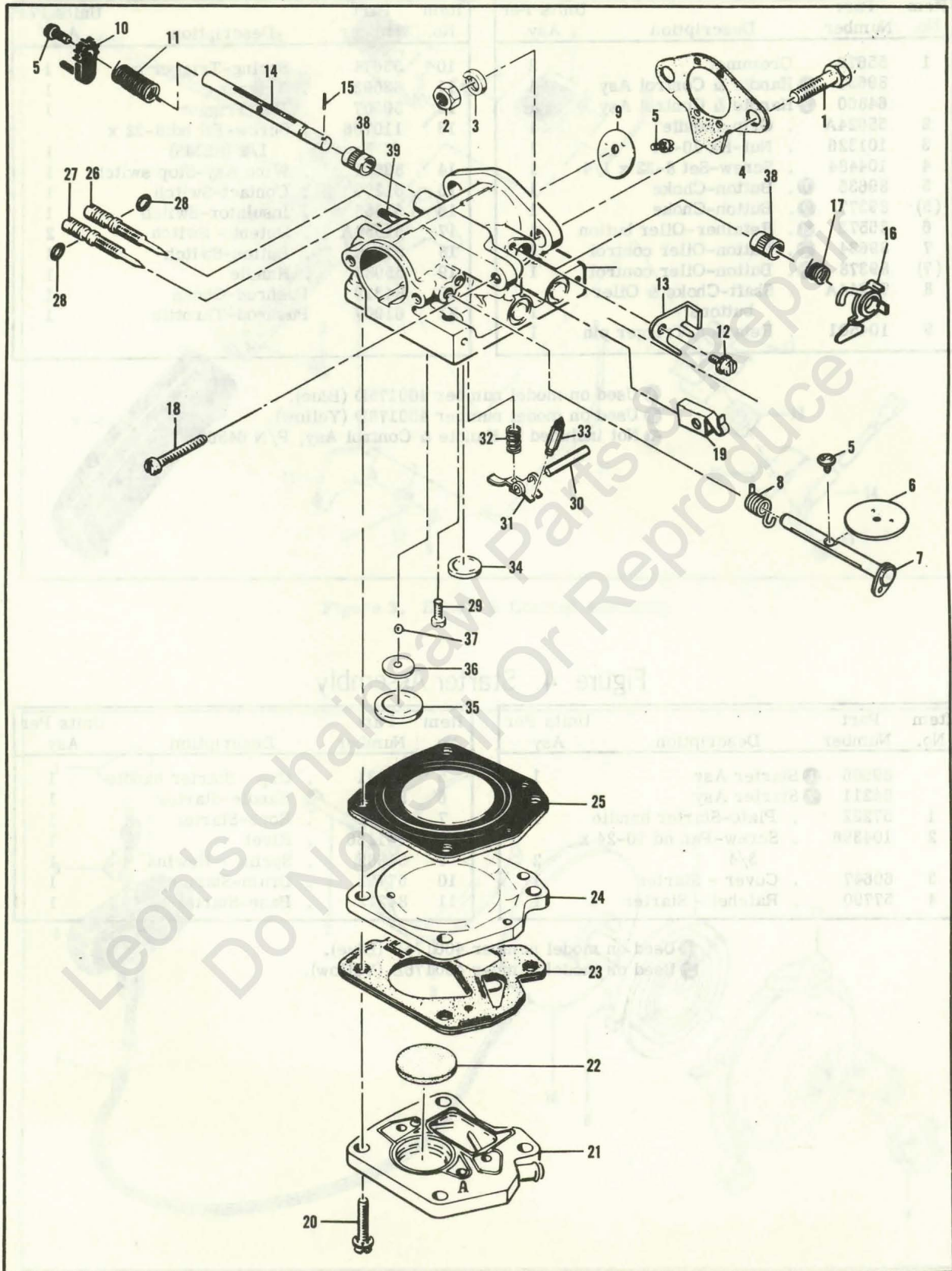


Figure 5. Carburetor Assembly



# MODEL 795L POWER UNIT

Figure 5. Carburetor Assembly

Item No.	Part Number	Description	Units Per Asy	Item No.	Part Number	Description	Units Per Asy
1	100882	Screw-Hx hd 1/4-20 x 3/4	2	21	69169	. Body-Fuel pump	1
2	103242	Nut - Hx 1/4-20	2	22	48911	. Filter - Fuel	1
3	100005	Washer - 1/4	2	23	57274B	. Diaphragm Asy-Pump	1
4	65586	Gasket - Carburetor	1	24	48901	. Plate-Diaphragm	1
	87294	Carburetor Asy	1	25	55067C	. Diaphragm-Carburetor	1
5	104814	. Screw-Pan hd 4-40 x 1/4	3	26	87167	. Needle-Idle adjustment	1
6	55085	. Plate - Choke	1	27	53311	. Needle-Main adjustment	1
7	84073	. Shaft Asy-Choke	1	28	104001	. "O" Ring	2
8	55089	. Spring-Choke shaft	1	29	104164	. Screw-Pan hd 4-40 x 1/4	1
9	61360	. Plate - Throttle	1	30	104305	. Pin - Lever	1
10	61901	. Arm - Throttle shaft	1	31	84317	. Lever-Inlet	1
11	61895	. Spring - Idle governor	1	32	57172	. Spring-Lever	1
12	110055	. Screw-Fil hd 8-32 x 3/8	1	33	83753	. Needle-Inlet	1
13	61891	. Clip - Shaft	1	34	110179	. Plug - Expansion 1/2 in.	1
14	61920	. Shaft and Pin Asy	1	35	104407	. Plug - Expansion 1 in.	1
15	110301	. Pin - Groove	1		61155	. Set - Ball & Seat	1
16	61894A	. Cam Asy	1	36	61152	. Seat	1
17	61906	. Spring - Cam	1	37	61151	. Ball	1
18	62910	. Screw - Idle speed	1	38	55062A	. Bushing - Shaft	2
19	61108	. Guide-Throttle rod	1	39	47523	. Tube - Collector hose	1
20	104520	. Screw-Pan hd 10-24 x 7/8	4				

## Service Specifications

Spark Plug Gap	.025" (.63 mm)
Lamination Gap	.010 to .015" (.25 to .38 mm)
Breaker Point Gap	.018" (.46 mm)
Carburetor Adjustment:	
Idle Needle	Preliminary adjustment - 1 turn open. Adjust for smooth idle and acceleration.
Main Needle	Preliminary adjustment - 1 turn open. Adjust for maximum power under load.
Torque Values:	
Flywheel Nut	350 to 400 in./lbs. (403.20 to 460.80 cm/kg)
Clutch Nut	240 to 300 in./lbs. (276.48 to 345.60 cm/kg)
Connecting Rod Screws	105 to 110 in./lbs. (120.96 to 126.70 cm/kg)

# MODEL 795L POWER UNIT

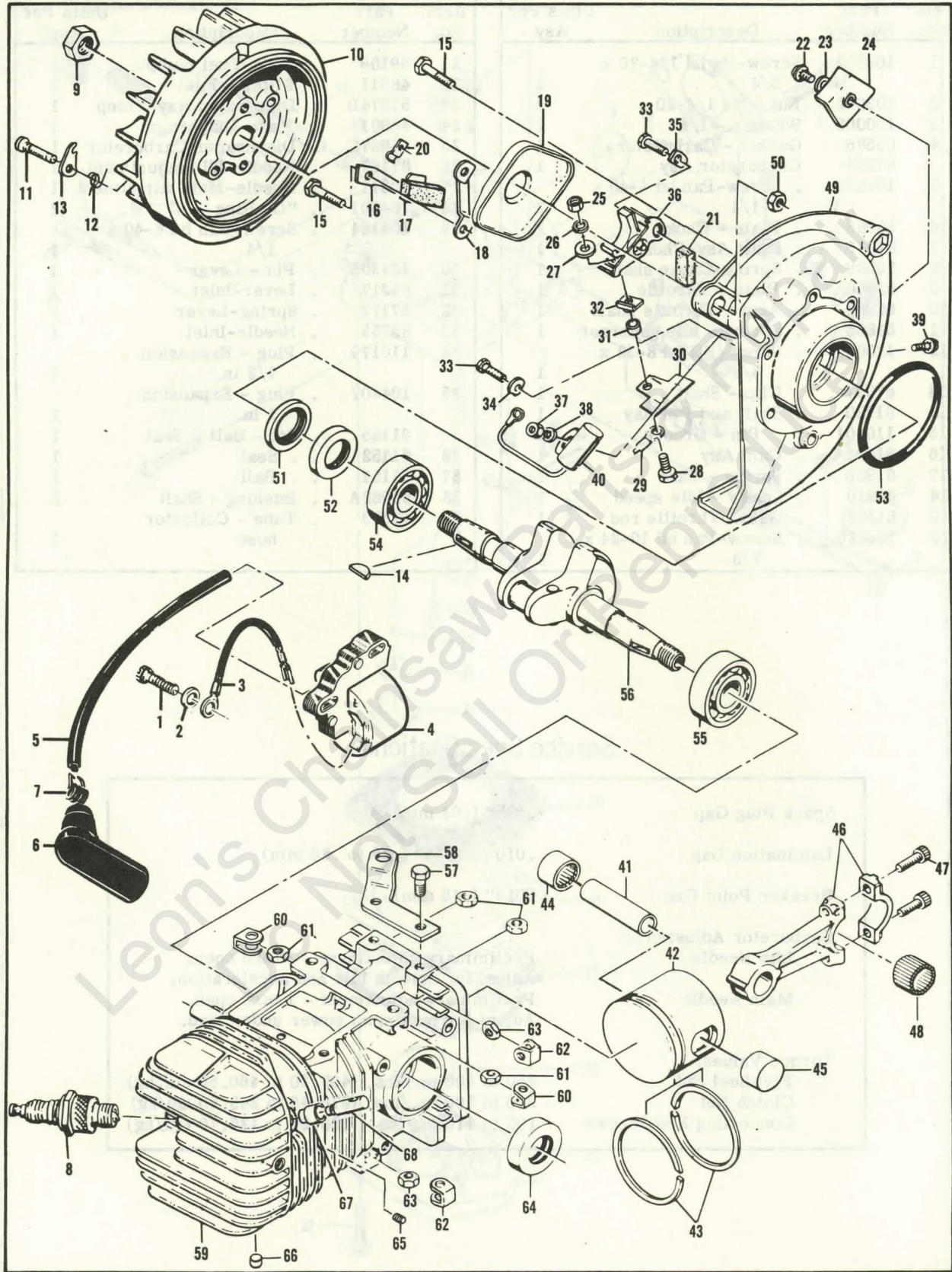


Figure 6. Powerhead Assembly

# MODEL 795L POWER UNIT

Figure 6. Powerhead Assembly

Item No.	Part Number	Description	Units Per Asy
1	110887	Screw-Hx hd 10-24 x 1	2
2	100352	Washer - #10	2
3	63639	Wire Asy-Ground	1
4	85243	Coil & Lamination Asy	1
5	50120	. Wire Asy-Spark plug	1
6	55060	. . Boot	1
7	55061	. . Connector	1
8	63097	Spark Plug	1
9	110655	Nut-Flange 7/16-20	1
10	68282	Flywheel & Pawl Asy	1
11	36144B	. Pin - Starter pawl	2
12	66351	. Spring-Pawl	2
13	24093	. Pawl-Starter	2
14	100106	Key-Woodruff	1
15	110866	Screw-Hx hd 10-24 x 3/4	6
16	57815	Strap-Seal	1
17	50664	Seal-Breaker box drain	1
18	55977	Clip - Breaker box cover	2
19	55766B	Cover-Breaker box	1
20	104230	Speednut	1
21	54184	Wiper - Felt	1
22	110055	Screw-Fil hd 8-32 x 3/8 (SEMS)	1
23	100080	Washer-#8	1
24	57829	Clamp - Ignition wire	1
25	104551	Nut-Hx 8-32	1
26	104553	Washer-#8 Lock	1
27	100080	Washer-#8	1
28	110338	Screw-Hx hd 8-32 x 9/16	1
29	63628	Wire Asy-Primary	1
30	55782A	Insulator	1
31	57769	Insulator-Ignition screw	1
32	57770A	Insulator-Breaker spring	1
33	104733	Screw-Fil hd 8-32 x 1/2 (SEMS)	2
34	57767A	Plate - Lock	1

Item No.	Part Number	Description	Units Per Asy
35	55778E	Washer-Breaker retainer	1
36	88807	Breaker Asy	1
37	100251	Nut-Hx 8-32	1
38	100057	Washer-#8 Lock	1
39	103748	Screw-Hx hd 8-32 x 1/2	1
40	85358	Condenser	1
41	69408	Pin-Piston	1
42	62883	Piston Asy	1
43	62422	. Ring Set-Piston	1
44	104519	. Bearing-Needle	1
45	62868	. Bearing-Needle (closed end)	1
46	47903	Connecting Rod Asy	1
47	60210A	. Screw - Special	2
48	69891	. Roller-Needle	24
49	84193	Crankcase Cover Asy	1
50	101326	. Nut - Hx 10-24	3
51	57897	. Seal - Oil	1
52	57898	. Seal - Oil	1
53	104523	"O" Ring	1
54	100824	Bearing - Ball	1
55	104490	Bearing - Ball	1
56	58128	Crankshaft	1
57	102762	Screw-Hx hd 10-24 x 1/2	2
58	53271	Bracket-Fuel tank mounting	1
59	87273	Cyl/C'case Asy	1
60	28053	. Retainer - Nut	2
61	101326	. Nut - Hx 10-24	4
62	18556A	. Retainer - Nut	6
63	105394	. Nut - Hx 1/4-20	6
64	57732	. Seal - Oil	1
65	83374	. Insert - Taplok	2
66	110685	. Plug - Cup	3
67	86280	. Body - DSP Valve	1
68	86295	. Valve - DSP	1

Leon's Do Not Sell

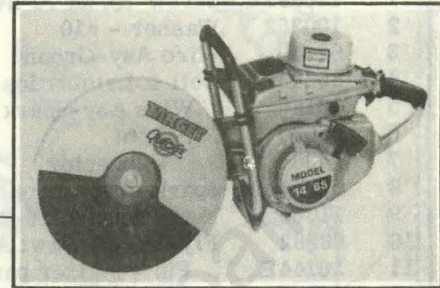
McQUILLOCH CORPORATION

The McCulloch 795L Power Unit is sold to three manufacturers who use it to power various attachments of their own design. Individual parts of these attachments must be ordered directly from the respective manufacturer or its distributors.

The manufacturers and products which use the 795L Power Unit are listed below.

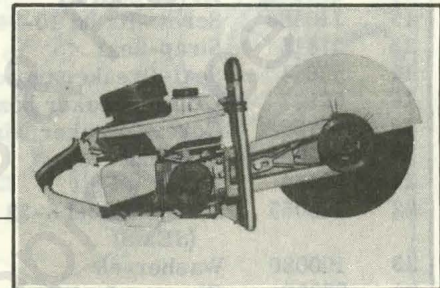
\* Robert G. Evans Company  
4330 Clary Boulevard  
Kansas City, Missouri 64130  
(816) 923-5040

"QUICKIE" (795L-400175D)



Koehring Master Division  
1752 Stanley Avenue  
Dayton, Ohio 45401  
(513) 461-4860

"M 12A" (795L-400176D)



Stow Manufacturing  
Brandywine Highway  
Binghampton, New York 13902  
(607) 723-6411

"RIPPER" (795L-400176D)



\* Robert G. Evans Co. (Target/Quickie) supplies their own Illustrated Parts List for the 795L Power Unit. They use McCulloch part numbers with the prefix 08. Therefore, remove the 08 prefix in order to convert an Evans part number to a McCulloch part number. EXAMPLE: R. G. Evans Frame Clamp, P/N 0851362, is McCulloch Frame Clamp, P/N 51362.

 **MCCULLOCH CORPORATION**

MCCULLOCH CORPORATION  
P.O. Box 92180, Los Angeles, California 90009  
International Divisions:  
Los Angeles, California, P.O. Box 92181  
Singapore, Goldhill Plaza, Singapore 11  
Sao Paulo, Brazil, Caixa Postal 21-492

MCCULLOCH OF CANADA LTD.  
6338 Viscount Road, Malton, Ontario L4V 1H4, Canada  
MCCULLOCH OF EUROPE, N.V.  
Geerdegem Schonenberg, 299 2800 Mechelen, Belgium  
MCCULLOCH OF AUSTRALIA PTY., LTD.  
P.O. Box 223, Seven Hills, N.S.W. 2147, Australia